

PC BASIC sl, 4 – 28 W

PC BASIC



Product description

- _ CELMA Energy Efficiency Index A2
- _ Nominal life-time up to 50,000 h (at t_a 50 °C with a failure rate \leq 0.2 % per 1,000 h)
- _ Large temperature range (for values see table)
- _ Automatic start after replacement of defective lamps
- _ Safety shutdown of defective lamps and at end of lamp life
- _ Temperature protection as per EN 61347-2-3 C5e
- _ 5-year guarantee

Website

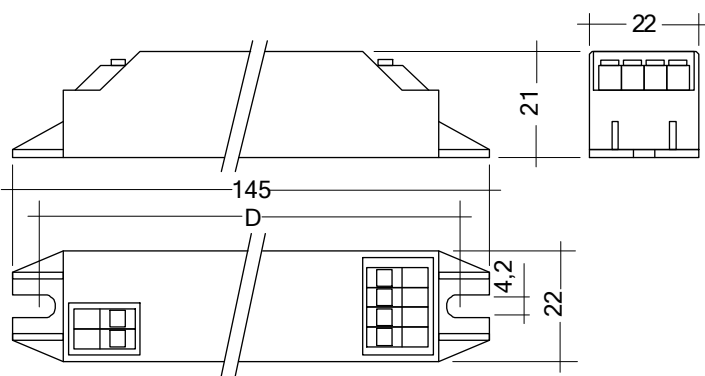
<http://www.tridonic.com/22176002>



PC BASIC sl, 4 – 28 W

PC BASIC

The complete data sheet for this product is available in the Downloads section.



Ordering data

Type	Article number	Packaging, carton	Packaging, low volume	Packaging, high volume	Weight per pc.
For luminaires with 1 lamp					
PC 1x26 W BASIC sl	22176002	56 pc(s).	1,736 pc(s).	8,680 pc(s).	0.054 kg

Technical data

AC voltage range	198 – 264 V
DC voltage range	176 – 264 V (lamp start \geq 198 V DC)
Overvoltage protection	270 V AC, 360 h
Defined warm start	\leq 2 s
Operating frequency	\geq 40 kHz
Type of protection	IP20

Approval marks



Standards

EN 55015, EN 61000-3-2, EN 61347-2-3, EN 61347-2-4, EN 61547

Specific technical data

Lamp wattage	Lamp type	Type	Article number	Dimensions L x W x H	Hole spacing D	Lamp power	Circuit power	EEI	Current at 50 Hz		λ at 50 Hz		tc point max.	Ambient temperature ta
									220 V	240 V	220 V	240 V		
For luminaires with 1 lamp														
1 x 28 W	TC-DD	PC 1x26 W BASIC sl	22176002	145 x 22 x 21 mm	136 mm	21.5 W	25.0 W	A2	0.180 A	0.170 A	0.62C	0.61C	90 °C	-25 ... +50 °C
1 x 26 W	TC-DEL	PC 1x26 W BASIC sl	22176002	145 x 22 x 21 mm	136 mm	20.5 W	24.0 W	A2	0.180 A	0.170 A	0.62C	0.61C	90 °C	-25 ... +60 °C
1 x 26 W	TC-TEL	PC 1x26 W BASIC sl	22176002	145 x 22 x 21 mm	136 mm	21.0 W	24.5 W	A2	0.180 A	0.170 A	0.62C	0.61C	90 °C	-25 ... +60 °C

① Art. no. 22176002, lamp type TC-DD: For enclosed luminaires to fulfil the requirement of circuit power \leq 25 W according to EN 61000-3-2. For AC operation only.