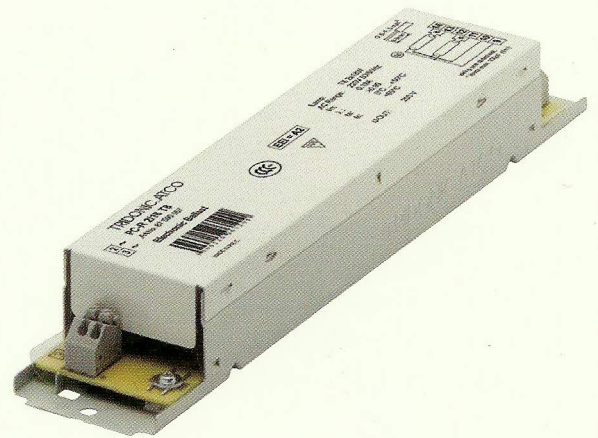
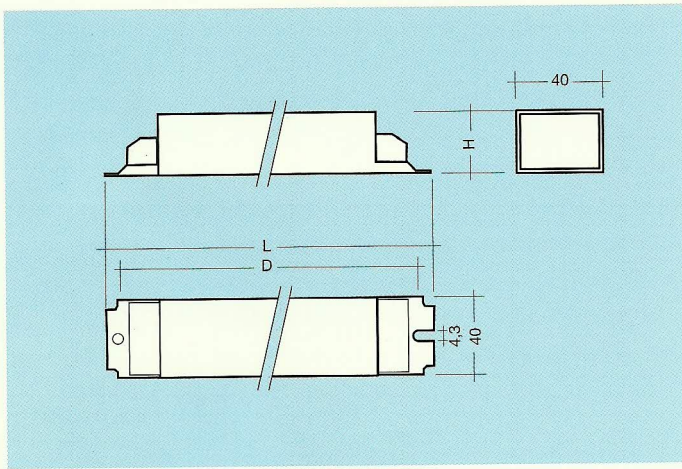


PC-R T8

T8 fluorescent lamps ( Ø 26 mm)

Lamp power W	Ballasts type	Article no.	Ballast length L in mm	Fixing center D in mm	Ballast height H in mm	Weight kg	tc point °C	Temperature range °C
1x18	PC-R 1/18 220 - 240 V 50/60 Hz	87500056	150	138	28	0,125	65	0 to +50
1x36	PC-R 1/36 220 - 240 V 50/60 Hz	87500058	150	138	28	0,125	65	0 to +50
2x18	PC-R 2/18 220 - 240 V 50/60 Hz	87500057	210	198	30	0,200	65	0 to +50
2x36	PC-R 2/36 220 - 240 V 50/60 Hz	87500059	210	198	30	0,200	75	0 to +50



a world of bright ideas®