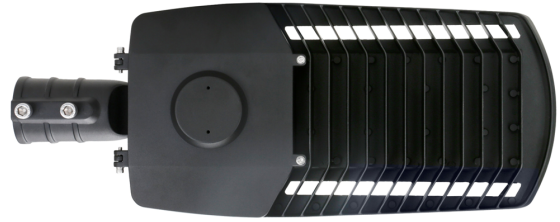




ZY-L601 LED STREET LIGHT



Respirator



Specifications

Efficiency	130Lm/W
Input Voltage	AC 100 ~ 277V
PF	0.95
LED	SAN'AN SMD3030
Driver	MOSO
CCT	3000K / 4000K / 5000K / 6000K /
CRI	70Ra
Beam Angle	Type III-M
Rated Life	50,000Hrs
IP / IK	IP66 / IK10
Operating Temperature	-40°C ~ +50°C
Material	Aluminium Alloy ADC12 (body) Polycarbonate PC (lens)

Features:

- High quality die-cast aluminium alloy design housing.
- Lighter weight design and excellent heat dissipation by cooling fins structure.
- Adopt multi-chips 3030 LED with long lifespan. Type III-M optical lens available for 2/3 lanes lighting.
- Easier maintenance design.
- Over-current, over-voltage, lightning, high temperature protection to fully guarantee the lifespan and stable performance.
- Built-in surge protection 4kV (line-line), 6kV (line-earth)

Applications:

Ideal for highway, urban roads, secondary roads, stadium, sidewalk, residential area, industry sites, square area, park, school, villa, and courtyard.

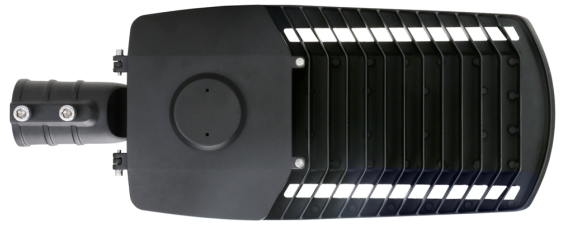
Compliance Standard:

LED LM-80
 Driver CCC, CE, CB, UL
 EN61347, EN55015, EN61000, EN61547
 Luminaire CE, RoHS



Model	Power	Lumen	Weight
VSL-ZY-L601-40	40W	5,200Lm	1.8kg
VSL-ZY-L601-80	80W	10,400Lm	3.1kg
VSL-ZY-L601-100	100W	13,000Lm	3.1kg
VSL-ZY-L601-120	120W	15,600Lm	3.1kg
VSL-ZY-L601-150	150W	19,500Lm	3.8kg
VSL-ZY-L601-180	180W	23,400Lm	3.7kg

External Design Features



Internal Design Features



3/5/7 NEMA Socket
LORA Controller
Daylight sensor

Heat-sink Structure
Integrated design reach
IP66 Ik10

Waterproof Gasket
Improve the safety and
reliability of power supply

Power Supply
Meanwell, Moso

Product Details



LED Source

Use customized chip from TOP 5 LED chip manufacturer, 3030 LEDs provide very excellent heat uniformity.



Lens

Type III-M Lens Design. 4pcs 3030 LED in each lens.



Driver Box

IP66 cabinet design with silicon ring, improving driver's service life.



Efficient Heat Sink Design



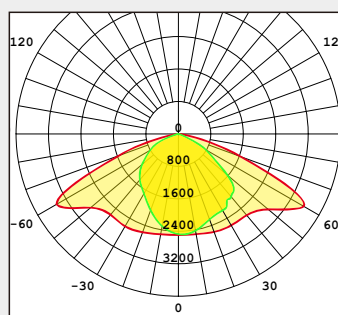
Easy Maintenance



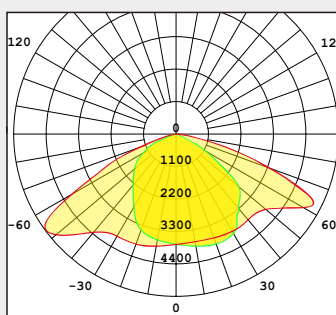
IP66/IK10

Distribution Curve

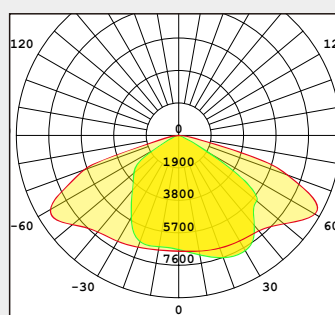
TYPE III-M 30-50W



TYPE III-M 80-120W

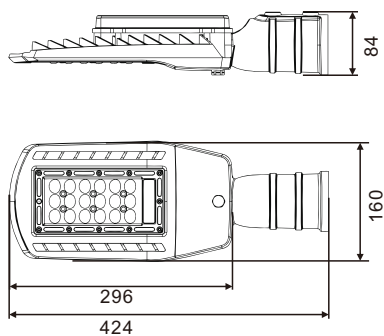


TYPE III-M 150-180W

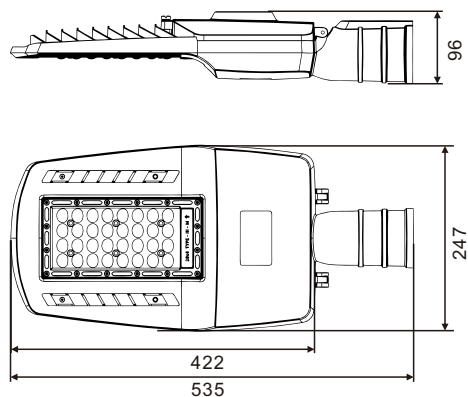


Dimension(mm)

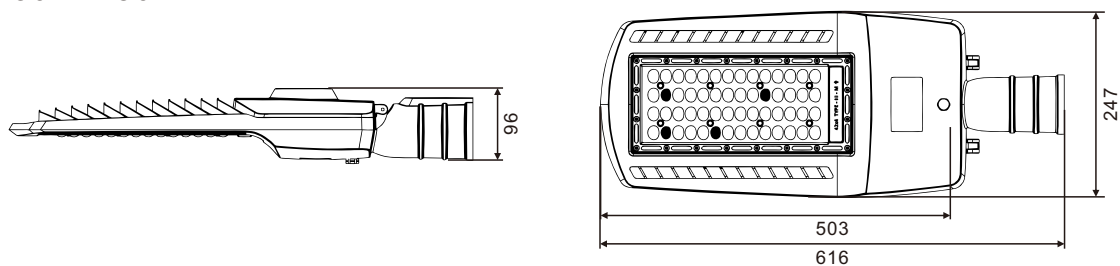
30W-50W



70W-120W



150W-180W



Case Study

