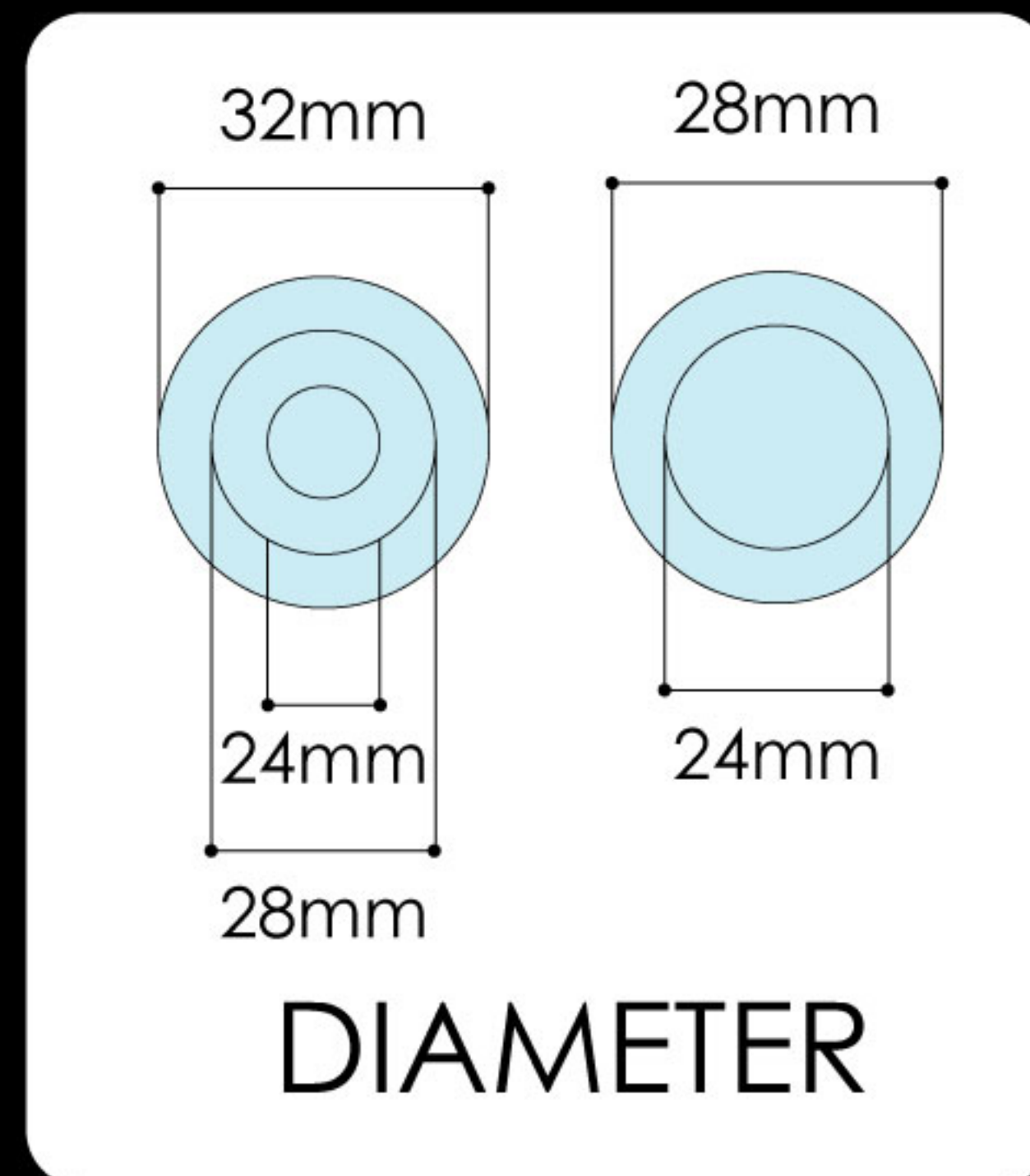
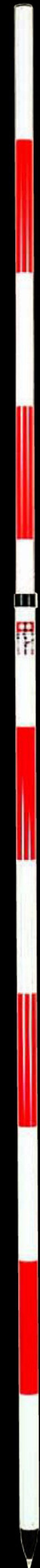


RANGJING POLE

*This steel and Aluminium pole is strong and light weight.
New quick fastening system makes locking easy and steady.*



MYPL-22



MYPL-32



MYPL-33



TELESCOPIC QUICK STOPPER SYSTEM

TYPE	MYPL-22	MYPL-32	MYPL-33
SPEC.	1200 - 2000mm, 2m x 2sec.	1800 - 3000mm, 3m x 2sec.	1280 - 3000mm, 3m x 3sec.
FULL CLOSED	1200 mm	1800 mm	1280 mm
WEIGHT	640 g	930 g	710 g

401 YAMAGOE NAGAKUTE-CHO AICHI-GUN
AICHI 480-1111, JAPAN
TEL: +81-(0)561-64-2210 FAX: +81-(0)561-63-7770
URL: <http://www.myzox.co.jp>

myzox
Myzox Co., Ltd.