

MINIATURE CIRCUIT BREAKER



CONSUMER UNITS/MCB BOX



Fire
Retardant



Special
Request

TECHINCAL DATA:

Material:	ABS
Degree of Protection:	IP30
Max. Load:	60AMPS
Max. Voltage:	230/400V ac. 50/60
Range:	1, 2, and 3
Available:	MCB, ELCB, RCBO, Time - Switch & Mini Contactor

No. of rows	No. of MODULES	Dimension W x H x D mm
1	10	255 x 173 x 93mm
1	15	388 x 173 x 93mm
1	18	390 x 173 x 93mm
1	23	480 x 173 x 93mm
2	30	345 x 290 x 105mm
3	45	455 x 310 x 105mm
3	54	455 x 356 x 105mm

DISTRIBUTION BOARDS



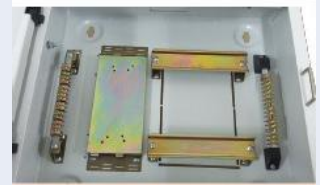
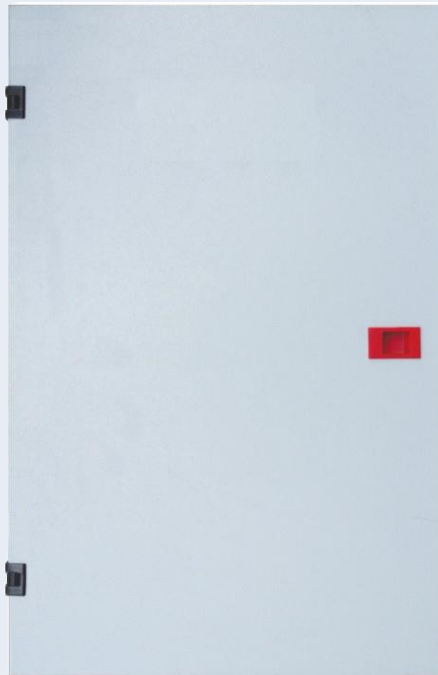
Removable Din-Rail
Flexible to module upon request.



Removable Partition with screw
Safety & easy to protect away from finger touch.



Cable Entry Plates at top & bottom
Easy for wiring access.



Earth + Neutral terminal & Multiple MCCB Plate



Rear Surface with Fixing holes for Vertical Installation



Easy Locking Solution
No hassle to lock the panel

TECHINCAL DATA:

Color:

Wrinkle Grey (RAL 7035)

Finishing:

Epoxy Powder Coating

Material:

Mild Steel

Thickness:

1.2mm

Degree Of Protection:

IP30

Max Load:

100 AMPS

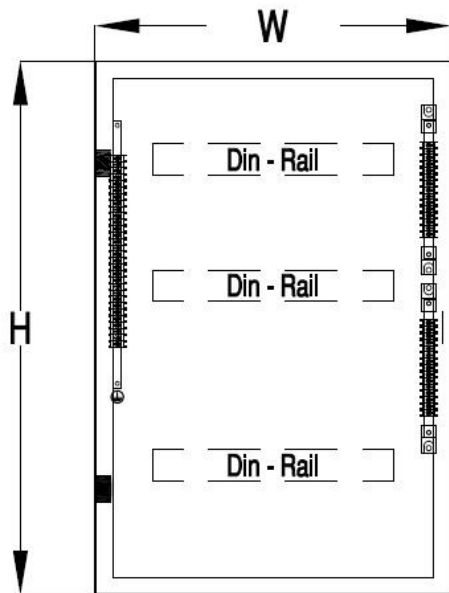
Max. Voltage:

230/400V ac. 50/60Hz

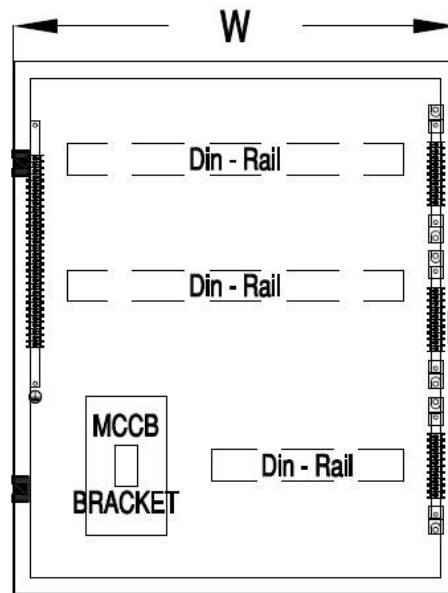
Range:

1, 2, 3, 4, 5 and 6 Rows

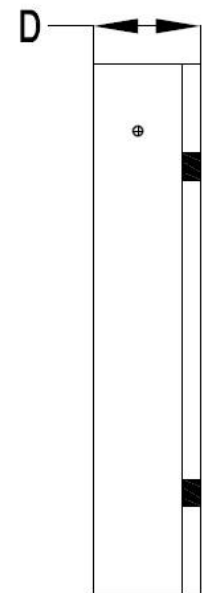
DISTRIBUTION BOARDS (DIMENSION)



INTERNAL VIEW



INTERNAL VIEW
With MCCB BRACKET



SIDE VIEW

No. of row	No. of MODULES (ways)	Dimensions W X H X D mm
1	S18	400 x 200 x 120
1	S23	500 x 220 x 120
2	S30/M18	400 x 360 x 120
2	S42/M28	500 x 360 x 120
3	S45/M38	400 x 600 x 120
3	S63/M54	500 x 600 x 120
4	S60/M53	400 x 740 x 120
4	S84/M75	500 x 740 x 120
5	S105/M96	500 x 880 x 120
6	M117	500 x 1020 x 120

*S Series for MCB Incoming

**M Series for MCCB Incoming

MINIATURE CIRCUIT Breaker (MCB)

ENB (Series) | 6kA



ENB1-63 Miniature Circuit Breaker is nice in appearance, reasonable in structure, sound in feature and high in breaking capacity. Installed with standard din rail, it is convenient and easy in usage. ENB1-63 Miniature Circuit Breaker mainly used in the line of AC 50/60Hz, rated working voltage to 240V/415V, and rated current to 63A as protection against overload and short-circuit. ENB1-63 Miniature Circuit Breaker can be used as infrequent on-and-ou operation and changeover.

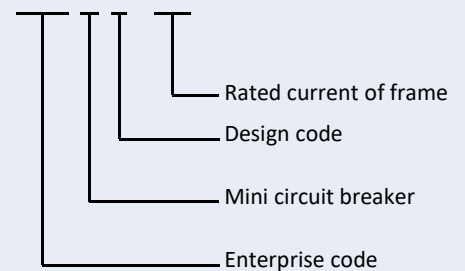
ENB1-63 Miniature Circuit Breaker complies with standard of GB10963 and IEC/EN60898.

TECHNICAL DATA :

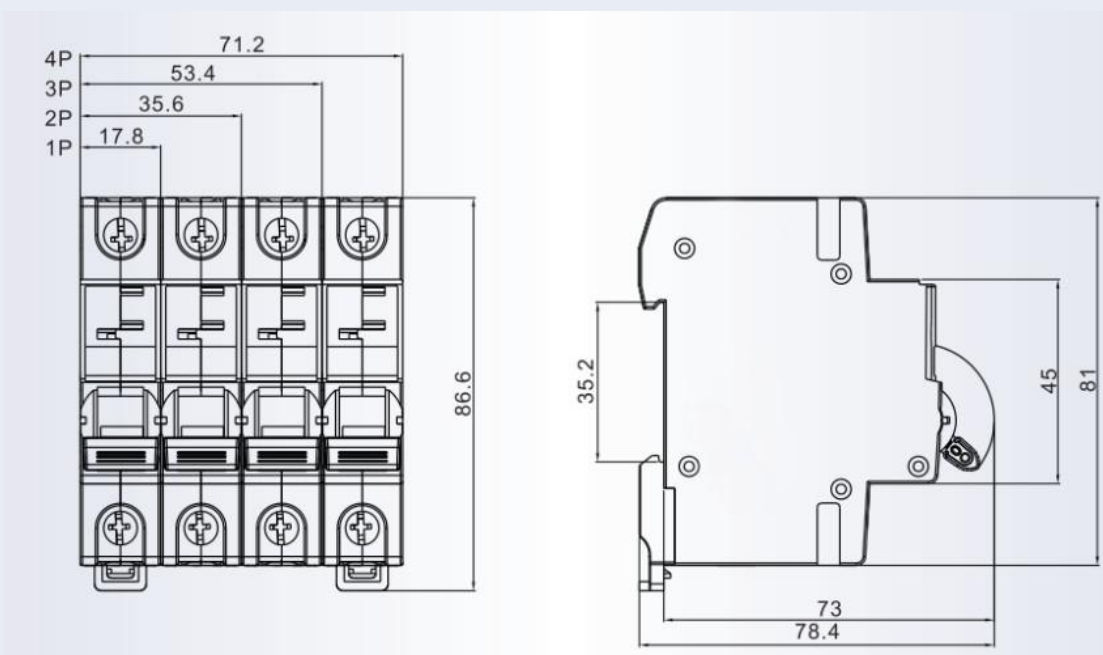
- Rated Voltage : AC 230V/400V
- Rated Current : 6-63A
- Rated short-circuit breaking capacity : 6,000A
- Mechanical Life : 20,000 operations
- Wiring capabilities : Stranded wire-16mm² / Rigid wire-25mm²
- Ambient temperature : -5°C~+40°C

Model and Meaning

ENB 1 - 63



DIMENSION (mm):



RESIDUAL CURRENT CIRCUIT Breaker (RCCB)

ENL (Series)



ENL series Residual current circuit breaker (without over-current protection) is suitable for the line of AC 50/60Hz, voltage 240V(2 pole)/415V(4 pole), rated current up to 100A. When there is human electricity shock or if the leakage current of the line exceeds the prescribed value, it will cut out the power rapidly to protect human safety and prevent the accident due to the current leakage. It can be used as infrequent changeover of the line in normal situation. It is applicable to industrial site, commercial site, tall building and civil house.

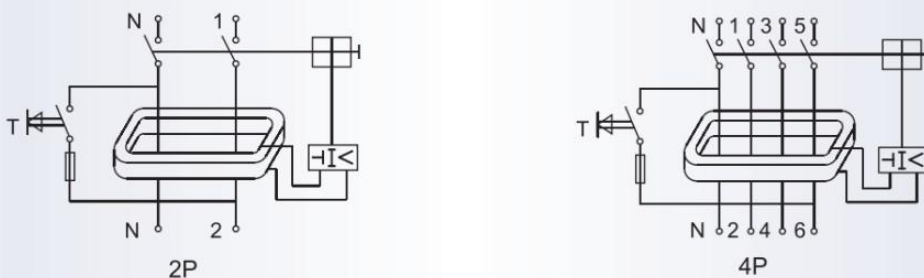
It complies with standard of GB16916.1 and IEC/EN61008.1.

TECHNICAL DATA :

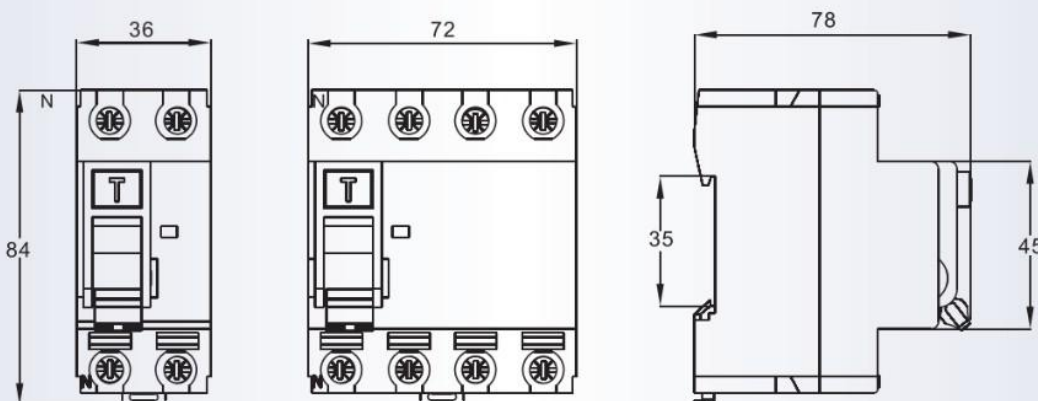
- Frame Class : 25A/40A/63A - 100A(ENB5-100)
- Rated Voltage : AC 230V/400V
- Rated Current : 25-100A
- Rated residual operating current : 0.01A, 0.03A, 0.1A, 0.3A
- Sensibility : AC type
- Max operating time : I_{On} t ≤ 0.3s, 5I_{On} t ≤ 0.4s
- Rated limiting short-circuit current : 6000A
- Mechanical Life : 10,000 operations

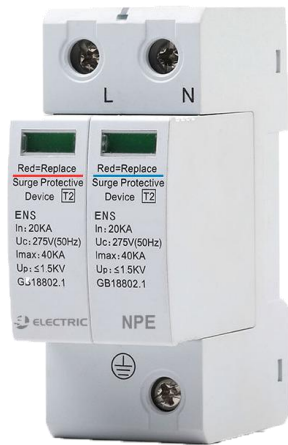


OPERATION PRINCIPLE:



DIMENSION (mm):





ENY1 SURGE PROTECTION DEVICE

ENY Surge protection device (hereinafter referred to as the “protector”) is applicable in AC 50/60Hz, 400V and below such as TN-S TN-C TN-C-S, TT and IT power supply systems to protect power grid from lightning or surge overvoltage

The installation position and application

Installed in the LPZ1 or LPZ2 area and LPZ3 area at the junction, protection class II . Protective device using standard 35mm track installation Protector adopts a copper wire connected to the 2.5~35-mm², there are two kinds of wiring method;

(1) from the power supply switch wiring to the protector, and the protector line to the load side. This method is suitable for load distribution box electric current below 100A. The used of wire section should be selected according to the load current (see figure 1)

(2) from the power supply switch wiring to the protector, also from the line to the load side power switch. This applies to the load

current is more than 100A power distribution box.. Connected to the protective conductor cross section is not affected by the load of electricity,, but the length shall not exceed 500mm (see figure 2) The grounding wire should be used more than 4 mm² of dual color wire length, shall not exceed 500 mm. In order to prevent the surge protection device failure affects the normal operation of power grid . protection on the line should string fuse are connected with 32A.

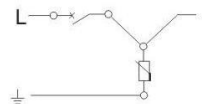


Figure 1

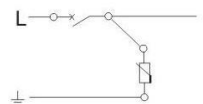


Figure 2

Technical Parameter

MODEL	ENY1-40
Rated Voltage of Un (~V)	275V / 385V
Maximum continuous operating voltage Uv(~V)	275V / 385V
Voltage protection level of Up(~kV)	1.5kV
Nominal discharge current In(8/20μs)(kA)	20
Maximum discharge current of Imax (8/20μs)(kA)	40
The response time of NS	<25
Test Level	Level II
The width of MM	18mm
Protection grade	IP20
Shell material	Reinforced flame retardant PBT
Environmental temperature	<40°C~+85°C
A fuse or circuit breaker(A)	32A

AHC15A-U series Digital weekly time switch

The AHC15A-U allows you to quickly copy the set of programs through the Memory key, without computer or smart phone. It can drastically reduce duplication of work. Unit is applicable to large projects who needs to set up a large number of timers for the same program.



APPLICATION

AHC15A-U fits for the particular use of the following tasks: Illumination of private and industrial areas, street and shop-window lightening, regulation of air conditioning, flushing, motors, pumps, plants and machinery as well as to simulate presence etc.

Description

● Copy & Save programs and pluse times	● Calculated switching time
● Daily and weekly program	● Integrated operating hour counter
● 20 ON/OFF program	● Auto-correct time(-30 sec ≤ Δt ≤ 30 sec)
● 38 pulse programs(1s~59m59s)	● Preset date and time
● Countdown program(1s~59m59s)	● Permanent switching ON/OFF
● 12/24 hour format conversion	● Integrated operating hour counter
● Built-in lithium battery,power failure memory	

Product Selection

Voltage	AC220V-240V
Frequency	50Hz or 60Hz
Terminal	5
Switching capacity	16(8A), 250VAC

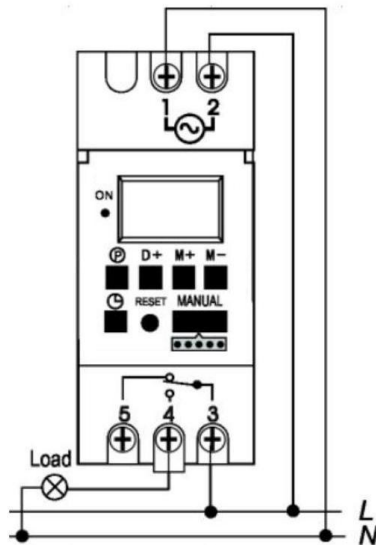
Maximum recommended load (10,000 operations)

Filament / Halogenlamp 230V	Energysaving lamps	LEDlamp <2 W	LEDlamp 2-8 W	LEDlamp >8 W	Fluorescent lamp load (electronic ballast)
2600 W	170 W	30 W	100 W	120 W	650 W

Technical Data

Minimum interval	1 Min.
Time accuracy at 25 °C	$\leq \pm 2$ Sek./day (quartz)
Power reserve	approx. 5 years
Housing and insulation material	Self-extinguishing thermoplastic
Type of protection	IP 20
Class of protection	II according to EN 60 730-1
Permitted ambient temperature	-10 ~ +50 °C (non-icing)
Test approval	CE

Wiring Diagram



Dimensions

