

# UFO High Bay



## LED & Optical

- **Output Range** : 10000 – 20000lm
- **Photometric Options** : 120 degree
- **System Efficacy** : 100LPW
- **CCT** : 4000K/6500K @ 70CRI
- **Operation Temp** : -10 ~ 40°C

## Electrical

- **Input voltage** : 220-240 V<sub>AC</sub>
- **Input Frequency** : 50/60Hz
- **Power Factor** >0.9
- **IP Rated** : IP65

## Construction & Finishing

- Die Cast housing with polyester powder paint, Standard colors: Black

## Applications

- Warehouse
- Production
- Convention Center

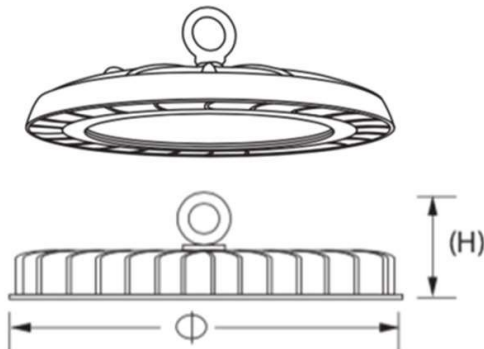
## Warranty

- **System Warranty** : 1 Year
- **Certification** : CE \ CB certified

## Order Description:

Order Logic	Watt (W)	Voltage (V)	CCT (K)	Lumen (lm)	LPW	CRI	Dimension (D x H)	Beam Angle	Lifetime (hrs)	Qty/Ctn
UFHBAC100WAH-WW	100	220-240	4000K	10,000	100	80	Ø295 x 50mm	120°	30k	1pcs/Box
UFHBAC150WAH-WW	150	220-240	4000K	15,000	120	80	Ø310 x 50mm	120°	30k	1pcs/Box
UFHBAC200WAH-WW	200	220-240	4000K	20,000	120	80	Ø360 x 55mm	120°	30k	1pcs/Box
UFHBAC100WAH-WC	100	220-240	6500K	10,000	100	80	Ø295 x 50mm	120°	30k	1pcs/Box
UFHBAC150WAH-WC	150	220-240	6500K	15,000	120	80	Ø310 x 50mm	120°	30k	1pcs/Box
UFHBAC200WAH-WC	200	220-240	6500K	20,000	120	80	Ø360 x 55mm	120°	30k	1pcs/Box

## Product Dimension:



## Photometric

