



Philips Deco Solar trade range

Solar product management

Philips Deco Solar



Key specifications

- Flood light – 600, 900, & 1500 Lumens
 - 150 Lm / W Efficacy, 25k Hrs LED.
 - 5Ah, 5 Ah, & 10 Ah 3.2 V Battery
 - 5W, 7W, 10 W Solar Panel
 - IP 65 Rated and IR remote
- Wall light – 50, 100, & 300 Lumens
 - Upto 120 Lm/W
 - 0.8Ah, 1.2Ah, & 2 Ah 3.7V Lithium NMC
 - IP 42 Battery
- Common Specifications : Housing : Plastic, CRI > 70, CCT 6500K

Customer insight:

- DIY is the increasing trend. Customer want to buy online or in shop and install themselves
- Customers are increasingly interested about Green and clean energy.
- Wall lights are trendy for homes, gardens etc.
- Easy to install outdoors without making any changes in wiring.
- Light on demand on motion on gates.



Claim / USP / Differentiator / Key benefit:

Specifications and warranty will be assured.

Deliver the right lumen output and autonomy..

Customer will be assured of the right brightness.

Reasons to Believe

- *Philips is the most trusted brand*
- *Proper solar sizing of components to ensure output and autonomy.*
- *Customer can compare the brightness against familiar light.*

Application Area's: Amenity/ Security/ Landscape/ Parking

DecoFlood Solar Flood Light

DecoFlood Solar Flood Light Closer look



Infra Red remote



Polycrystalline PV panel

Inbuilt Lithium battery
Bright LED board
600, 900, & 1500 lumens

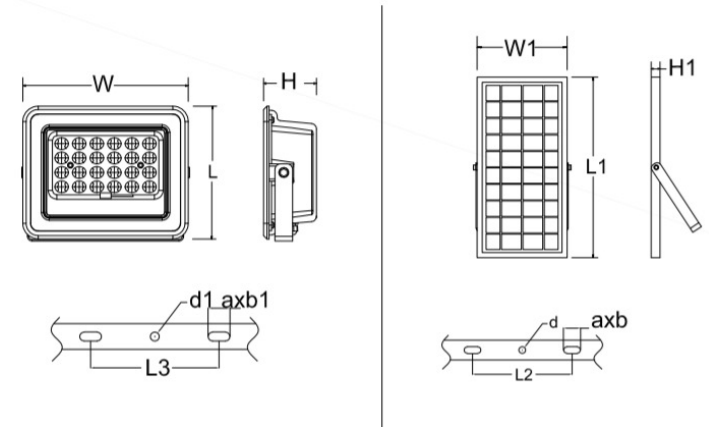
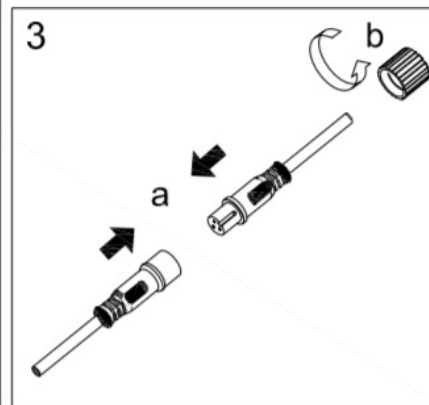
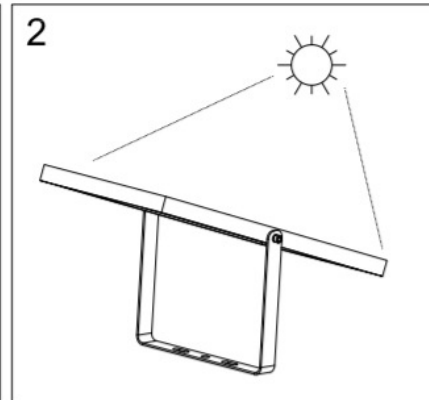
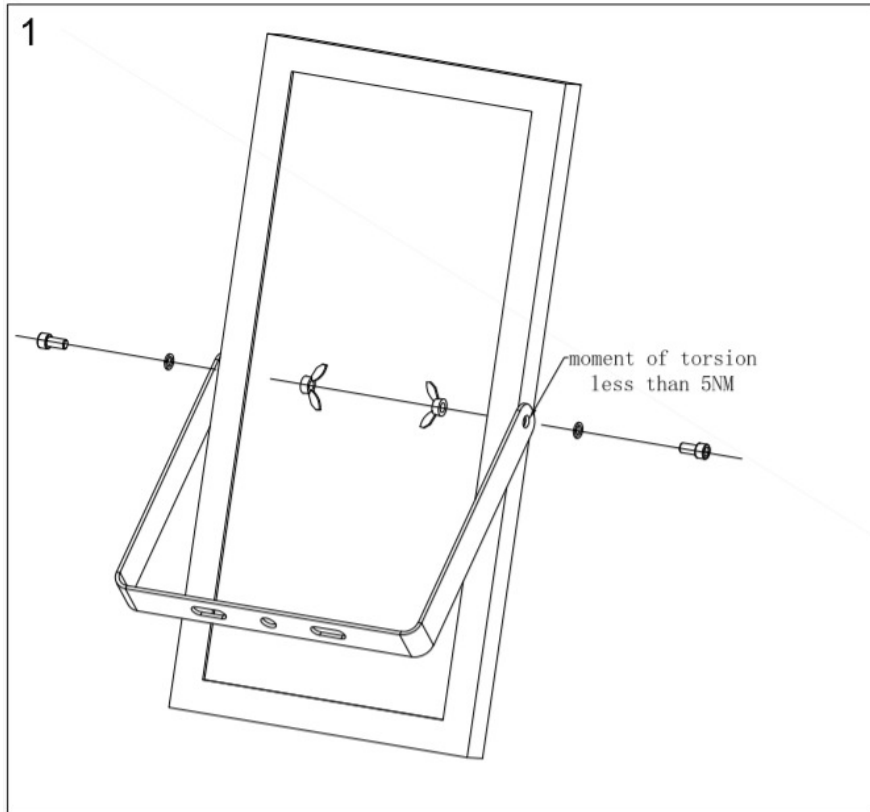


Technical specifications

Item	BVx080 LED6/765	BVx080 LED9/765	BVx080 LED15/765
Lumen output (typ.Avg) (lm)	600 lm ±10%	900 lm ±10%	1500 lm ±10%
Output power and current	4W/1.38A	6W/2.07A ;	10W/3.45A
Efficacy	150 lm/W	150 lm/W	150 lm/W
Battery Capacity	3.2V 5000mAH	3.2V 5000mAH	3.2V 10000mAH
PV Panel Power	5W 5V	7W 5V	10W 5V
PV Panel Size(mm)	240*188*17	350*190*17	350*235*17
CRI	>70		
CCT	6500K ±10%		
Controller	PWM		
Battery Type	32650, LiFePO4		
Battery Cycle Life	500 cycles		
PV Panel Type	Poly Crystalline		
Housing material	ABS		
Reflector/lens material (LG)	ABS		
Cover material (Diffuser)	PC		
IPxx	IP65		
Salt spray	100hrs		
Mounting	Wall		
Color	Cool Grey		
Operating temperature range (°C)	0~45°C		
ta (°C)	25°C		
Operating relative humidity range (%)	RH(0~90%)		
Lifetime LED	25000hrs		
Warranty (0.5 yrs for transportation and stock)	1year		
Approbation	No		
Accessories	Bracket, Screws, Remote Controller (exclude 2x AAA battery)		

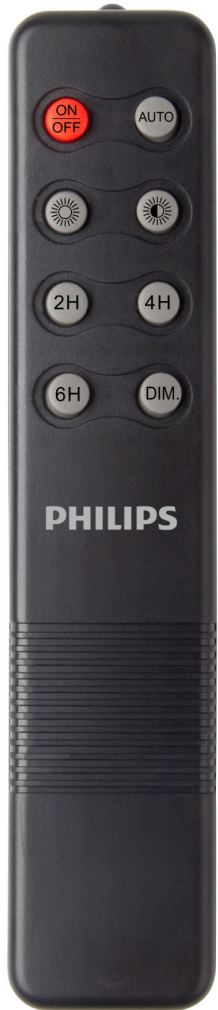
DecoFlood Solar

Dimensions and Installation



TYPE	W	L	H	W1	L1	H1
600lm	150	120	48	175	240	17
900lm	183	143	48	175	350	17
1500lm	220	170	53	235	350	17

TYPE	L2	d	axb	L3	d1	axb1
600lm	70	8.5	7.5x20	68	8.5	8x22
900lm	70	8.5	7.5x20	68	8.5	8x22
1500lm	70	8.5	7.5x20	102	10.5	10.5x40



Remote Function:

- **On/Off:** Wake up(On) /Sleep(Off)— Wake up the luminaire with last used working mode. Putting the luminaire under sunlight will also wakeup the luminaire, to force Luminaire to sleep during daytime, please disconnect the Solar panel first.
- **Auto:** Luminaire will detect sunset and automatically turn ON at 40% intensity for first 0.5 hour, 20% output for next 3 hours, 10% output for rest of the night or until battery low.
- **Full:** Luminaire will detect sunset and automatically turn ON at 100% intensity, until battery low.
- **Partial:** Luminaire will detect sunset and automatically turn ON at 20% intensity, until battery low.
- **2H:** Luminaire will detect sunset and automatically turn ON at 100% intensity for first 1 hour, 50% output until battery low. Indicatively in 2 Hours on a full battery
- **4H:** Luminaire will detect sunset and automatically turn ON at 70% intensity for first 1 hour, 30% output until battery low. Indicatively in 4 Hours on a full battery
- **6H:** Luminaire will detect sunset and automatically turn ON at 50% intensity for first 1 hour, 20% output until battery low. Indicatively in 6 Hours on a full battery
- **Dim:** Luminaire will detect sunset and automatically turn ON at 40% intensity for first 0.5 hour, 20% output for next 3 hours, 10% output until battery low.

Notes :

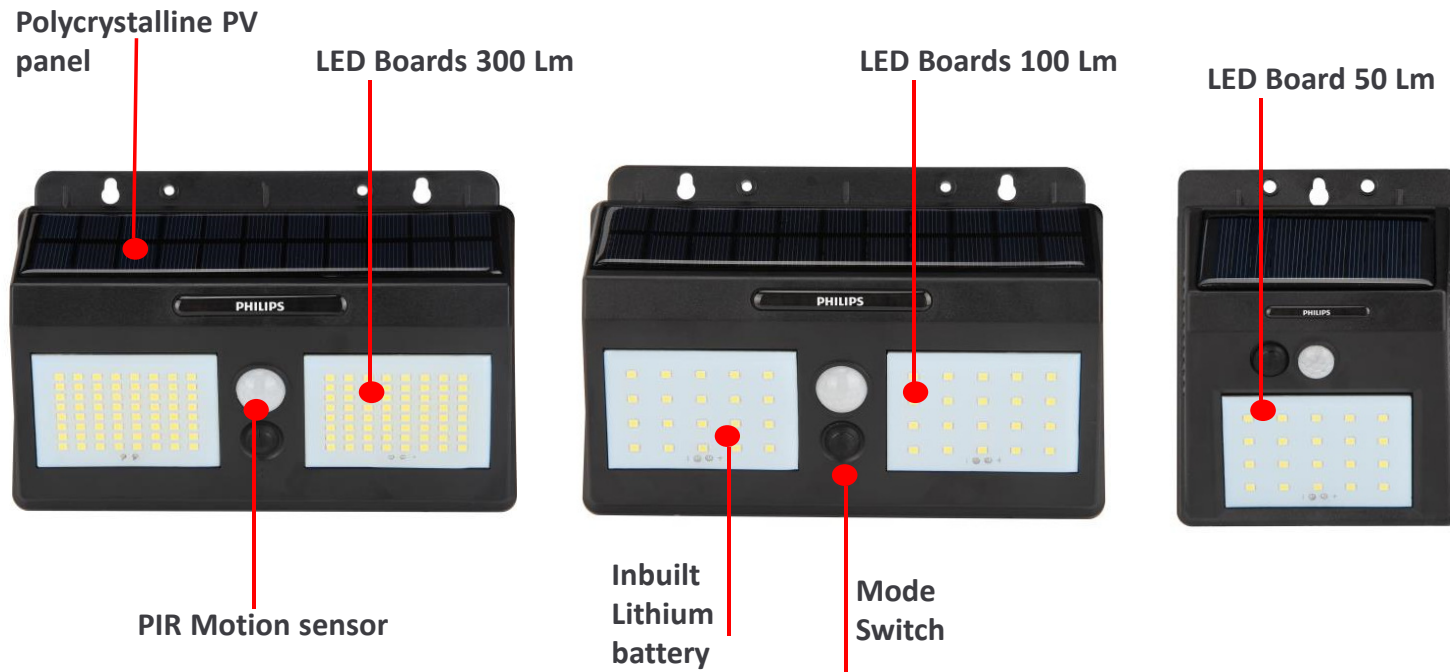
- Before installation, press the mechanical switch button on the luminaire for 2 seconds to activate the lamp, this will bring out the luminaire from sleep and activate remote functions
- To force Sleep mode (Say for storage purpose), press the physical button for 2 seconds.
- The factory default working mode of lamps is AUTO
- LED indication on lamp: Red on(Charging), Green Flash(Motion sensor active)



DecoWall Solar Wall Light

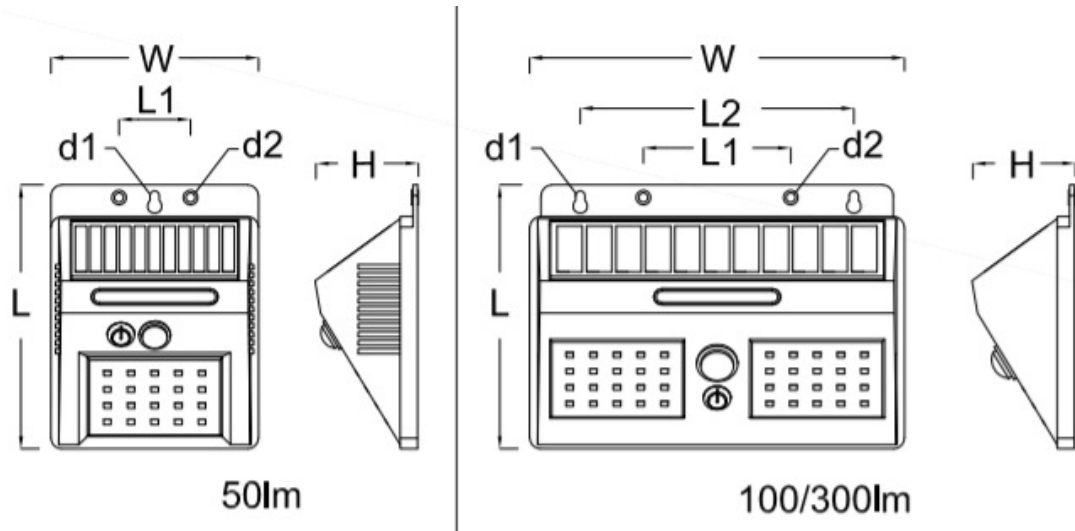
DecoWall Solar wall light

Closer look



DecoWall Solar wall light

Dimensions



TYPE	W	L	H
50lm	99	125	52
100lm	178	125	54
300lm	178	125	54

TYPE	L1	L2	d1	d2
50lm	34	—	4.5	4.5
100lm	70	113	4.5	4.5
300lm	70	113	4.5	4.5

Toggle mode button

Mode :1 – 100% light output when motion detected, Lights off when motion not detected

Mode :2 – 100% light output with motion detected, 10% light output when motion not detected

Mode :3 – 10% light output. Motion sensor disabled.

Mode :4 – Always off.

Technical specifications

Item	BWx010 LED50/765	BWx010 LED100/765	BWx010 LED300/765
Lumen output (typ.Avg) (lm)	50 lm ±10%	100 lm ±10%	300 lm ±10%
Output power and current	0.32W/100mA	0.65W/200mA	3W/810mA
Efficacy	> 120 lm/W	> 120 lm/W	100 lm/W
Battery Capacity	3.7V 800mAH	3.7V 1200mAH	3.7V 2000mAH
PV Panel Power	0.5 W	0.75 W	1.3 W
CRI	>70		
CCT	6500K ±10%		
Controller	PWM		
Sensor	PIR Motion Sensor		
Sensor Delay time	18 Seconds		
Battery Type	3.7 V NMC		
Battery Cycle Life	500 cycles		
PV Panel Type	Poly Crystalline		
Housing material	ABS		
IPxx	IP42		
Mounting	Wall		
Color	Black		
Operating temperature range (°C)	0~45°C		
ta (°C)	25°C		
Operating relative humidity range (%)	RH(0~90%)		
Lifetime LED	25000hrs		
Warranty (0.5 yrs for transportation and stock)	1year		
Approbation	No		

Commercial – Ordering data

Product Description	Commercial Name	RCP	12NC	MOQ	Brand
BVx080 LED6/765	DecoFlood Solar Floodlight	145.35	TBA	200	Philips
BVx080 LED9/765	DecoFlood Solar Floodlight	181.35	TBA	200	Philips
BVx080 LED15/765	DecoFlood Solar Floodlight	265.00	TBA	200	Philips
BWx010 LED50/765	DecoFlood Solar Wall light	29.00	TBA	500	Philips
BWx010 LED100/765	DecoFlood Solar Wall light	46.00	TBA	500	Philips
BWx010 LED300/765	DecoFlood Solar Wall light	61.00	TBA	500	Philips

Signify