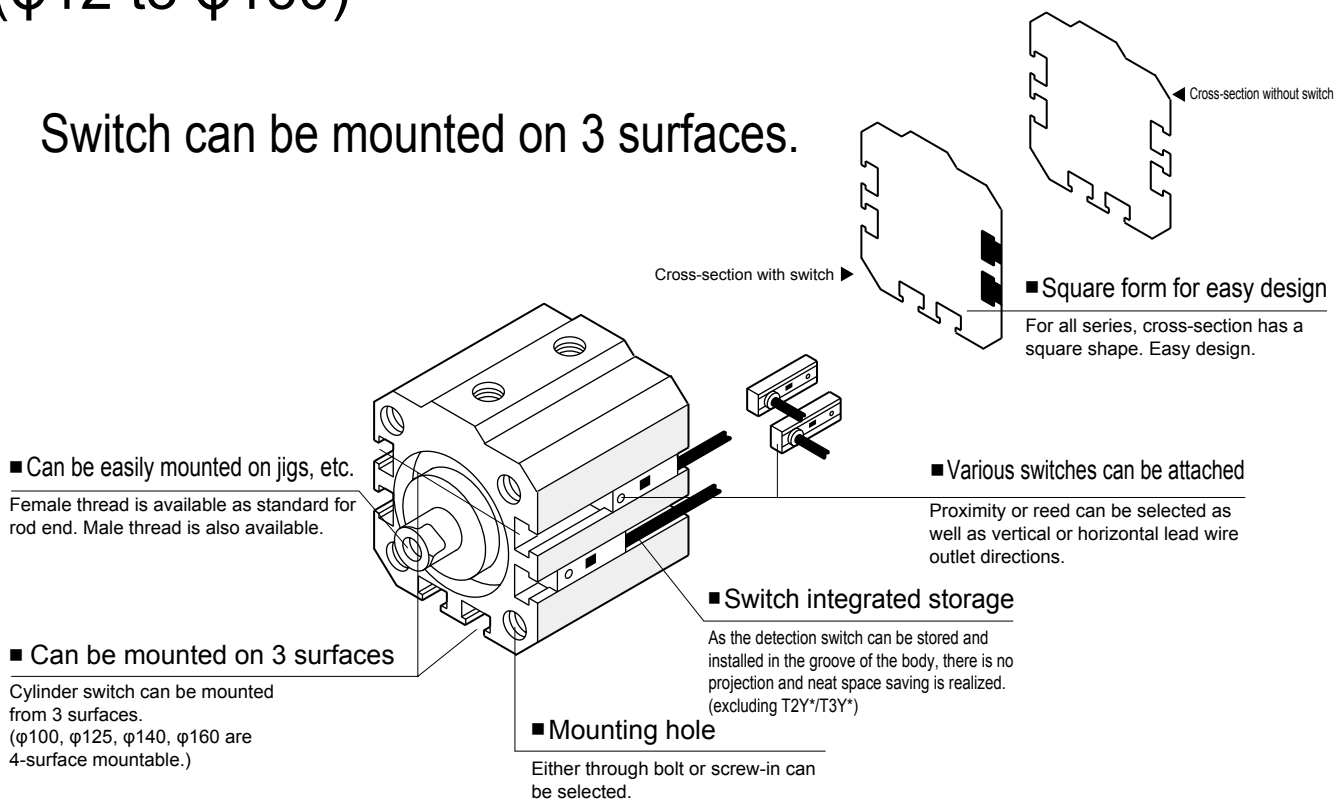


SCP*3
CMK2
CMA2
SCM
SCG
SCA2
SCS2
CKV2
CAV2/ COVPIN2
SSD2
SSG
SSD
CAT
MDC2
MVC
SMG
MSD/ MSDG
FC*
STK
SRL3
SRG3
SRM3
SRT3
MRL2
MRG2
SM-25
ShkAbs
FJ
FK
Spd Contr
Ending

Switch integrated design

Miniature switch is stored neatly in the body.
 Super compact cylinder which realizes space saving and compact features.
 (φ12 to φ160)

Switch can be mounted on 3 surfaces.



*Mounting of cylinder switch on 4 surfaces is supported.
 Refer to page 1300 for details.