

# Axial space saving equipped with high precision guide.

- SCP\*3
- CMK2
- CMA2
- SCM
- SCG
- SCA2
- SCS2
- CKV2
- CAV2/  
COVPIN2
- SSD2
- SSG
- SSD
- CAT
- MDC2
- MVC
- SMG
- MSD/  
MSDG
- FC\*
- STK
- SRL3
- SRG3
- SRM3
- SRT3
- MRL2
- MRG2
- SM-25
- ShkAbs
- FJ
- FK
- Spd  
Contr
- Ending

## ● Axial space saving

Axial direction length is reduced.  
Mounting space can be reduced.

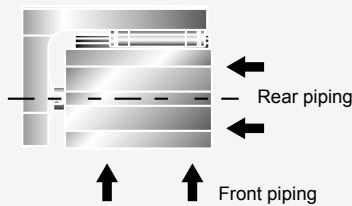
## ● Design with long service life (approx. 4 times greater than the conventional)

Oil-impregnated copper alloy bearing is adopted for rod bearing section to increase abrasion resistance.

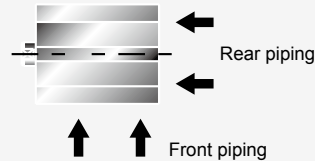
## ● Piping direction can be selected

Piping can be selected from 2 directions: body side surface and bottom surface (rear common port).

### ● MSDG



### ● MSD



## ● Equipped with F Series with miniature switch

With a compact size of  $\phi 6/\phi 8$ , with switch is realized.

## ● Direct mounting from 3 faces

As a square body is adopted, it can be directly mounted from any direction. Mounting to the body top surface and bottom surface can be done with through bolt and tapped hole. In addition, body side surface mounting is now also possible through the adoption of a rear common port.

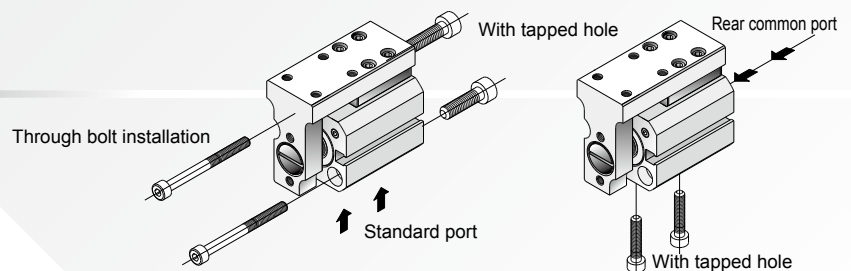
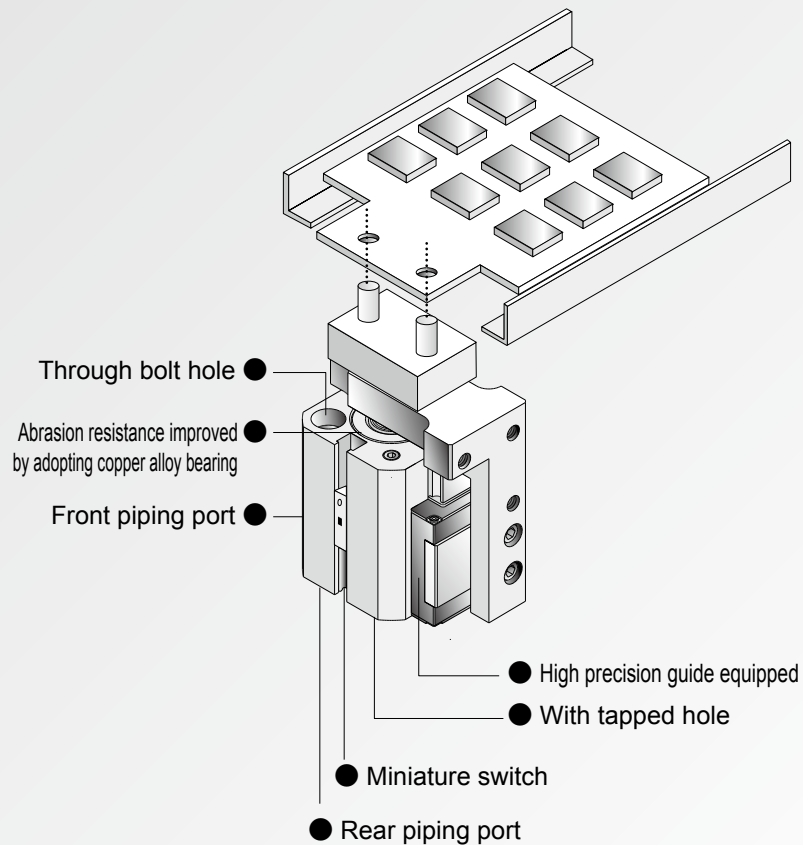
High precision/high rigidity achieved by saving space

With high precision guide

# MSDG Series

## ● Axial space saving with guide

Short axial length MSD Series equipped with high precision guide.  
Caters to the high-precision/high-rigidity needs of confined spaces.



φ6, φ8 added to conventional compact cylinder

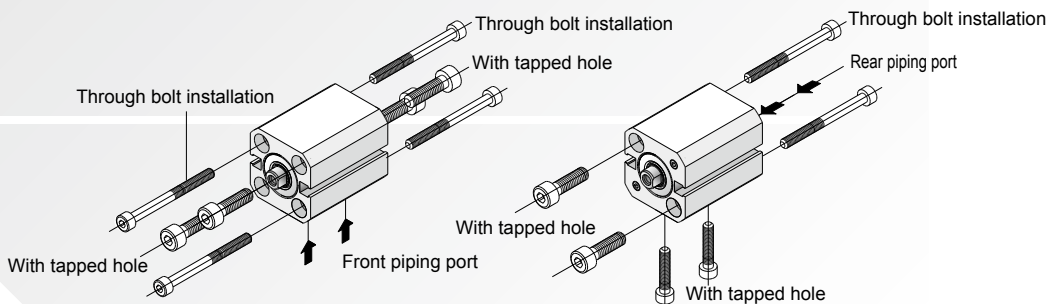
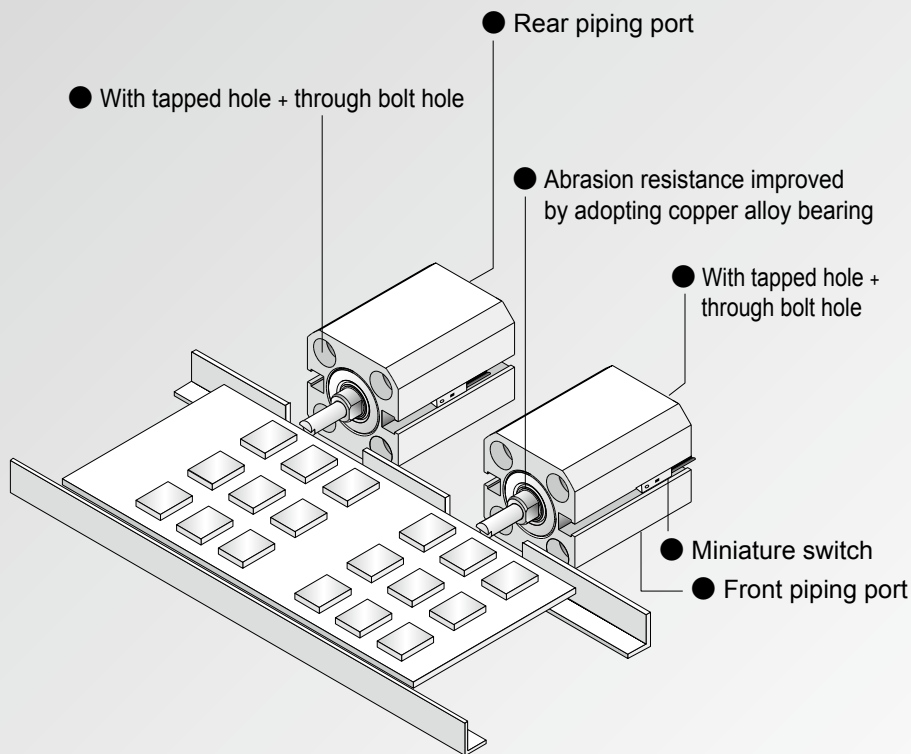
Small compact cylinder MSD series, further equipped with a high precision guide

New MSG Series of compact cylinders with small guides

φ6, φ8 added to  
the compact cylinder

# MSD Series

● Axial space saving achieved



SCP\*3

CMK2

CMA2

SCM

SCG

SCA2

SCS2

CKV2

CAV2/  
COVP/N2

SSD2

SSG

SSD

CAT

MDC2

MVC

SMG

MSD/  
MSDG

FC\*

STK

SRL3

SRG3

SRM3

SRT3

MRL2

MRG2

SM-25

ShkAbs

FJ

FK

Spd  
Contr

Ending