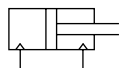
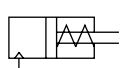

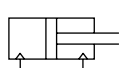


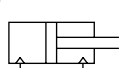



Series variation



Small compact cylinder MSD/MSDG Series

- SCP*3
- CMK2
- CMA2
- SCM
- SCG
- SCA2
- SCS2
- CKV2
- CAV2/
COVPIN2
- SSD2
- SSG
- SSD
- CAT
- MDC2
- MVC
- SMG
- MSD/
MSDG**
- FC*
- STK
- SRL3
- SRG3
- SRM3
- SRT3
- MRL2
- MRG2
- SM-25
- ShkAbs
- FJ
- FK
- Spd
Contr
- Ending

Variation	Model No.	Bore size (mm)	Standard stroke length (mm)					
			5	10	15	20	25	30
Double acting/ single rod with switch	MSD MSD-L 	φ6/φ8	●	●	●	●	●	●
Single acting/ push with switch	MSD-X MSD-XL 	φ6/φ8	●	●				
Single acting/ pull with switch	MSD-Y MSD-YL 	φ6/φ8	●	●				
Double acting/ high load with switch	MSD-K MSD-KL 	φ6/φ8 φ12/φ16	●	●	●	●	●	●
Double acting/single rod fine speed with switch	MSD-F MSD-LF 	φ6/φ8	●	●	●	●	●	●
High load/ fine speed with switch	MSD-KF MSD-KLF 	φ6/φ8	●	●	●	●	●	●
		φ12/φ16	●	●	●	●	●	●
Double acting/ guided	MSDG-L 	φ6/φ8 φ12/φ16	●	●	●	●	●	●
Double acting/ guided/ fine speed	MSDG-LF 	φ12/φ16	●	●	●	●	●	●

MSD/MSDG Series

Series variation

● : Standard, ◎ : Option, ■ : Not available

	Min. stroke length (mm)	Max. stroke length (mm)	Option	Switch	Page
			Rear piping		
			R		
	5	30	◎	◎	1404
	5	10	◎	◎	1412
	5	10	◎	◎	1412
	5	30	◎	◎	1422
	5	30	■	◎	1432
	5	30	■	◎	1432
	5	30	◎	◎	1434
	5	30	◎	◎	1444

SCP*3

CMK2

CMA2

SCM

SCG

SCA2

SCS2

CKV2

CAV2/
COVP/N2

SSD2

SSG

SSD

CAT

MDC2

MVC

SMG

MSD/
MSDG

FC*

STK

SRL3

SRG3

SRM3

SRT3

MRL2

MRG2

SM-25

ShkAbs

FJ

FK

Spd
Contr

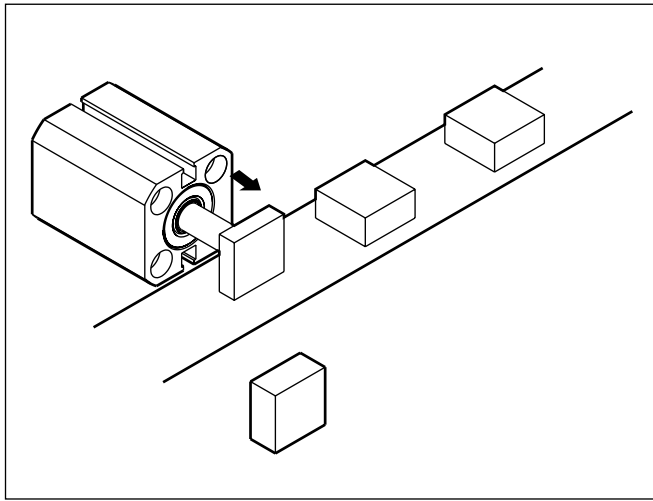
Ending

MSD/MSDG Series

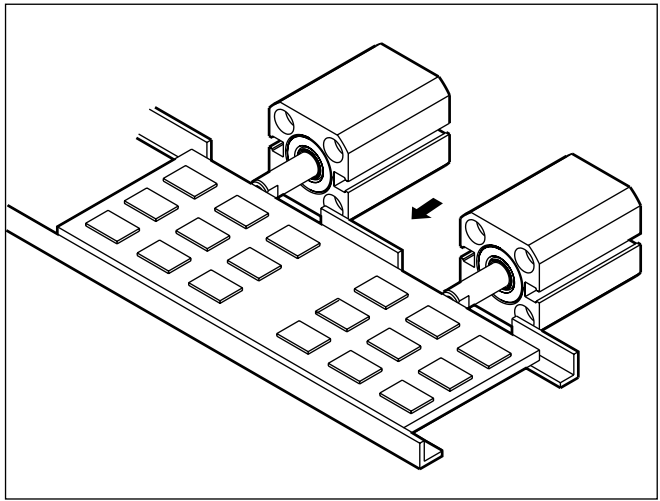
Applications

- SCP*3
- CMK2
- CMA2
- SCM
- SCG
- SCA2
- SCS2
- CKV2
- CAV2/
COVPIN2
- SSD2
- SSG
- SSD
- CAT
- MDC2
- MVC
- SMG
- MSD/
MSDG**
- FC*
- STK
- SRL3
- SRG3
- SRM3
- SRT3
- MRL2
- MRG2
- SM-25
- ShkAbs
- FJ
- FK
- Spd
Contr
- Ending

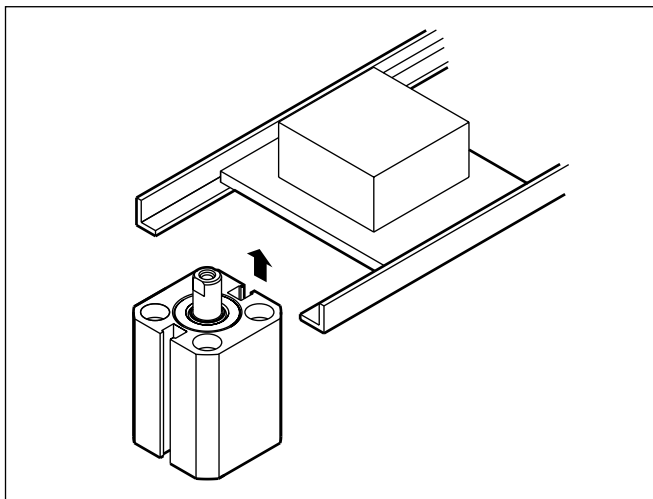
Sorting of good/defective products



Clamp

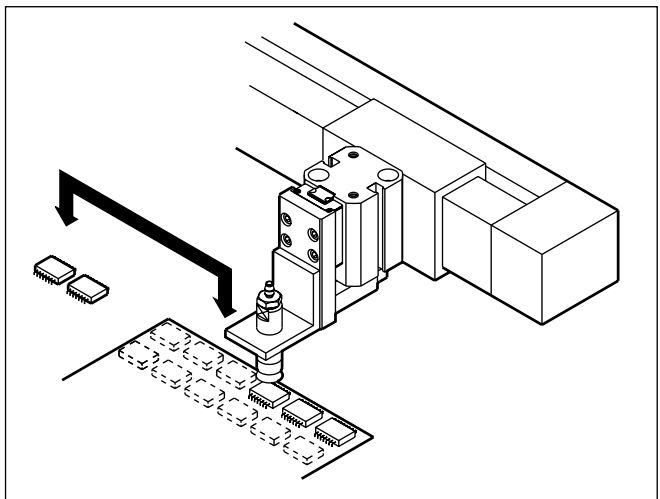


Positioning of pallet/stopper

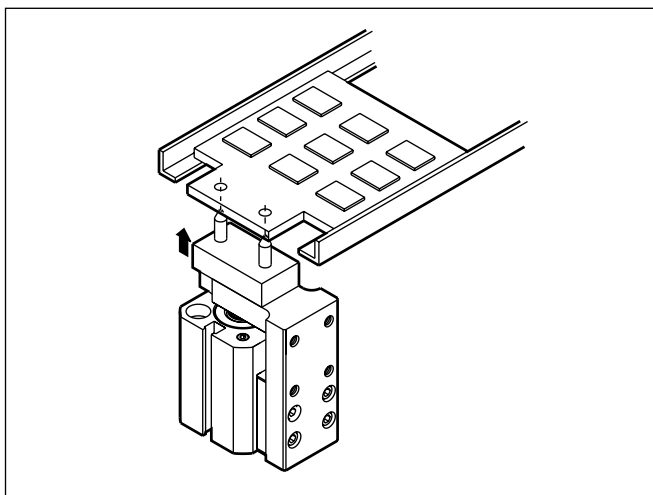


Note: Consult with CKD when using the product as stopper.

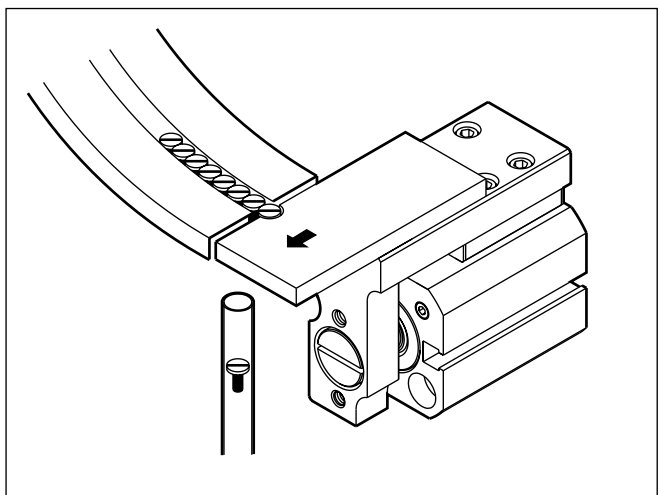
Conveying workpieces



Positioning using pin hole



Compact parts-feeding



Variation and option combination selection table

● MSD Series

- ◎: Option
- : Available (custom order product)
- △: Available depending on conditions
- ×: Not available

Category	Code	Category	Variation							Option
		None	Double acting/single rod	High load	Single acting/push	Single acting/pull	With cylinder switch	Fine speed	Rear piping	
Variation	Double acting/single rod	Blank	None							◎
	High load	K			×	×	◎	◎	◎	
	Single acting/push	X				×	◎	×	◎	
	Single acting/pull	Y					◎	×	◎	
	With cylinder switch	L						◎	◎	
	Fine speed	F							◎	
Accy. Option	Rear common port	R								◎
	Cylinder switch	Listed separately	◎	◎	◎	◎	◎	◎	◎	

● Guided MSDG series

- ◎: Option
- : Available (custom order product)
- △: Available depending on conditions
- ×: Not available

Category	Code	Category	Variation	Port thread	Option		
		None	Double acting/single rod	Fine speed	NPT	G	Rear piping
Variation	Double acting/single rod	Blank	None		×	×	◎
	Fine speed	F			×	×	◎
Port thread	NPT	N				×	
	G	G					
Option	Rear common port	R					◎
	Cylinder switch	Listed separately	◎	◎	×	×	◎

SCP*3

CMK2

CMA2

SCM

SCG

SCA2

SCS2

CKV2

CAV2/
COVP/N2

SSD2

SSG

SSD

CAT

MDC2

MVC

SMG

MSD/
MSDG

FC*

STK

SRL3

SRG3

SRM3

SRT3

MRL2

MRG2

SM-25

ShkAbs

FJ

FK

Spd
Contr

Ending