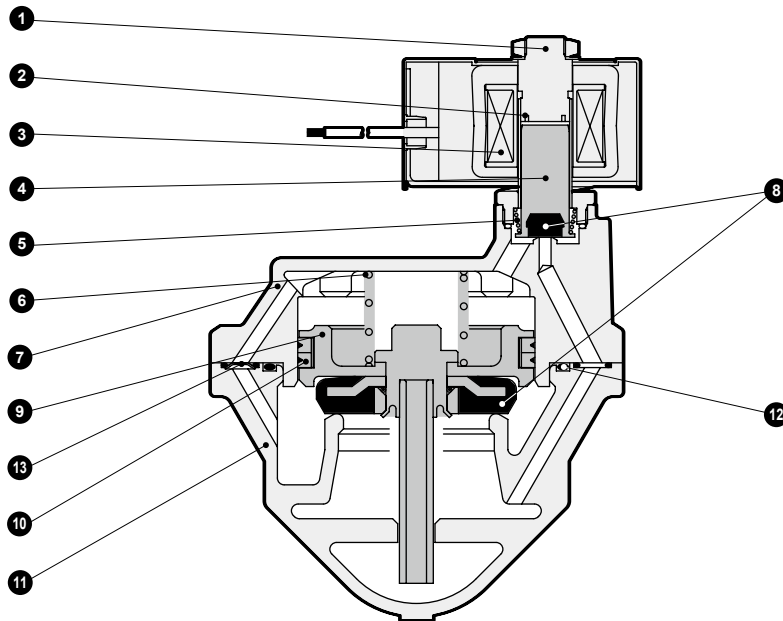


AP21/AP22 Series

Internal structure and parts list

● AP21 Series



No.	Part name	Material	
1	Core assembly	SUS405 or equiv./SUS316L/SUS403 *1	Stainless steel
2	Shading coil *2	Cu (Ag for stainless steel body)	Copper (silver for stainless steel body)
3	Coil	-	-
4	Plunger	SUS405 or equiv.	Stainless steel
5	Plunger spring	SUS304	Stainless steel
6	Valve spring	SUS304	Stainless steel
7	Body	CAC408(SCS13)	Bronze casting (stainless steel casting)
8	Seal	NBR(FKM, PTFE)	Nitrile rubber (fluoro rubber or tetrafluoroethylene resin)
9	Main valve assembly	C3604/SUS303/SUS304 (SUS303/SUS304)	Stainless steel/copper alloy (stainless steel)
10	Seal ring set	SUS304/PTFE	Stainless steel/tetrafluoroethylene resin
11	Body	CAC408(SCS13)	Bronze casting (stainless steel casting)
12	O-ring	NBR(FKM, PTFE)	Nitrile rubber (fluoro rubber or tetrafluoroethylene resin)
13	Orifice plate	SUS304	Stainless steel

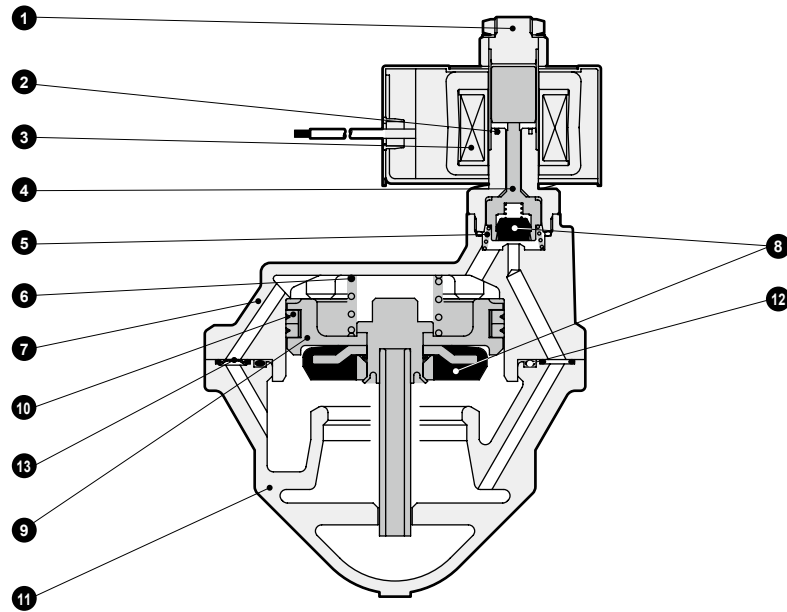
() shows options.

*1 : When the body/sealant combination code is other than O and H, or the coil housing code is 6C, 6E, 6G or 6H, the material is SUS405 or equivalent/SUS316L/SUS430.

*2 : No shading coil is used for DC coil or coil with diode.

Internal structure and parts list

● AP22 Series



No.	Part name	Material	
1	Plunger/core assembly	SUS405 or equiv./SUS316L/SUS304	Stainless steel
2	Shading coil	Cu (Ag for stainless steel body)	Copper (silver for stainless steel body)
3	Coil	-	-
4	NO valve assembly	POM/NBR (SUS303/PFA/FKM or PTFE)	Acetal resin, nitrile rubber (stainless steel, perfluoroalkoxy resin, fluoro rubber or tetrafluoroethylene resin)
5	Spring	SUS304	Stainless steel
6	Valve spring	SUS304	Stainless steel
7	Body	CAC408(SCS13)	Bronze casting (stainless steel casting)
8	Seal	NBR (FKM or PTFE)	Nitrile rubber (fluoro rubber or tetrafluoroethylene resin)
9	Main valve assembly	C3604/SUS303/SUS304 (SUS303/SUS304)	Stainless steel/copper alloy (stainless steel)
10	Seal ring set	SUS304/PTFE	Stainless steel/tetrafluoroethylene resin
11	Body	CAC408(SCS13)	Bronze casting (stainless steel casting)
12	O-ring	NBR(FKM, PTFE)	Nitrile rubber (fluoro rubber or tetrafluoroethylene resin)
13	Orifice plate	SUS304	Stainless steel

() shows options.

EXA
FWD
HNB/G
USB/G
FAB/G
FGB/G
FVB
FWB/G
FHB
FLB
AB
AG
AP/ AD
APK/ ADK
DryAir
EX- XPLNprf
XPLNprf
HVB/ HVL
S◇B/ NAB
LAD/ NAD
Water- Rela
NP/NAP/ NVP
SNP
CHB/G
MXB/G
Other valves
SWD/ MWD
DustColl
CVE/ CVSE
CCH / CPE/D
LifeSci
Gas- Combus
Auto- Water
SpecFld
Custom
Ending