

販売終了

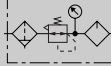
K60570/K61440E/K61400E Series

# F.R.L. kit / set type K Series

Filter/regulator/lubricator set type K Series

● Port size: Rc1/8 to Rc3/4

JIS symbol



## Specifications

Descriptions	Discontinued			
	K60570-1/2C-GB	K61440E-2/3C-EGB	K61400E-2/3/4/6C-EGB	
Appearance				
Port size	Rc 1/8, 1/4	1/4, 3/8	1/4, 3/8, 1/2, 3/4	
Max. working pressure	MPa	1.0		
Withstanding pressure	MPa	1.5		
Fluid temperature (ambient temperature)	°C	5 to 65		
Filtration rating	μm	5		
Set pressure range	MPa	0 to 0.83	0.03 to 0.83	
Relief		With relief mechanism		
Min. dosing flow rate	ℓ/min. ANR	20	30 (8A/10A) 30, (15A/20A) 60	
Use oil		Turbine oil Class 1 ISO VG32 (spindle oil not available)		
Oil capacity	cm <sup>3</sup>	25	65 (135J type) 300	
Product weight	kg	0.7	1.8 (1.9J type) / (2.0FJ type) 3.6 (3.7F type)	
Provided as standard	Pressure gauge (gauge)	○	○	○
	Bracket	○	○	○
	Bowl guard	-	○	○

Note 1: Minimum working pressure of NO with automatic drain (F) is 0.1MPa.

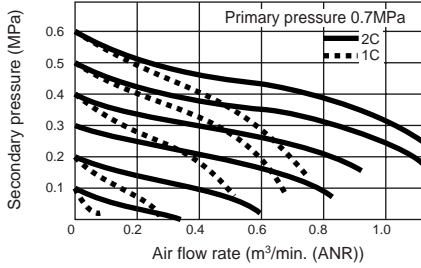
Note 2: Minimum dosing flow rate applies when 5 drops of oil per min. is dosed where the primary pressure is 0.5MPa.

## Components list

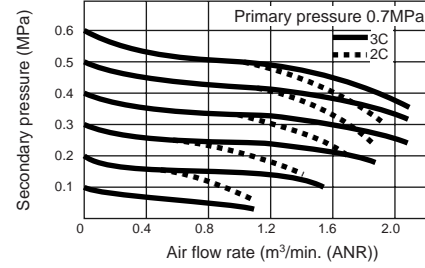
Descriptions	Port size	Air filter	Regulator	Lubricator	Pressure gauge	Wall bracket
K60570-1C-GB	Rc1/8 (6A)	A1019-1C	B2019-1C	A3019-1C	G49D-6-P10	6506
K60570-2C-GB	Rc1/4 (8A)	A1019-2C	B2019-2C	A3019-2C	G49D-6-P10	6506
K61440E-2C-EGB	Rc1/4 (8A)	1144-2C-E	A2000-2C	3000E-2C	G59D-8-P10	6503
K61440E-3C-EGB	Rc3/8 (10A)	1144-3C-E	A2000-3C	3000E-3C	G59D-8-P10	6503
K61440E-2C-EGBJ	Rc1/4 (8A)	1144-2C-EJ	A2000-2C	3000E-2C-J	G59D-8-P10	6503
K61440E-3C-EGBJ	Rc3/8 (10A)	1144-3C-EJ	A2000-3C	3000E-3C-J	G59D-8-P10	6503
K61400E-2C-EGB	Rc1/4 (8A)	1137-2C-E	2001-2C	3002E-2C	G59D-8-P10	6502
K61400E-3C-EGB	Rc3/8 (10A)	1137-3C-E	2001-3C	3002E-3C	G59D-8-P10	6502
K61400E-4C-EGB	Rc1/2 (15A)	1137-4C-E	2001-4C	3002E-4C	G59D-8-P10	6502
K61400E-6C-EGB	Rc3/4 (20A)	1137-6C-E	2001-6C	3002E-6C	G59D-8-P10	6502
● NO automatic drain with manual cock						
K61440E-2C-FGBJ	Rc1/4 (8A)	1144-2C-FJ	A2000-2C	3000E-2C-J	G59D-8-P10	6503
K61440E-3C-FGBJ	Rc3/8 (10A)	1144-3C-FJ	A2000-3C	3000E-3C-J	G59D-8-P10	6503
K61400E-2C-FGB	Rc1/4 (8A)	1137-2C-F	2001-2C	3002E-2C	G59D-8-P10	6502
K61400E-3C-FGB	Rc3/8 (10A)	1137-3C-F	2001-3C	3002E-3C	G59D-8-P10	6502
K61400E-4C-FGB	Rc1/2 (15A)	1137-4C-F	2001-4C	3002E-4C	G59D-8-P10	6502
K61400E-6C-FGB	Rc3/4 (20A)	1137-6C-F	2001-6C	3002E-6C	G59D-8-P10	6502

### Flow characteristic

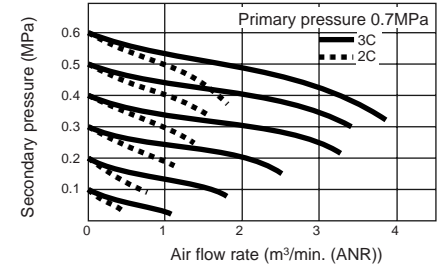
● K60570-1/2C-GB Rc1/8, 1/4



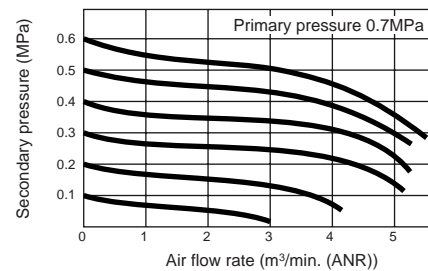
● K61440E-2/3C-EGB Rc1/4, 3/8



● K61400E-2/3C-EGB Rc1/4, 3/8



● K61400E-4/6C-EGB Rc1/2, 3/4



### How to order



● A Model no.

● B Port size  
Note 1

● C Option  
Note 2  
Note 3  
Note 5

### ⚠ Note on model no. selection

Note 1: If NPT thread is required, do not indicate nominal size C. (E.g.) K61440E-3-EGB  
If a pressure gauge is selected, the NPT thread pressure gauge is enclosed.

Note 2: Consult with CKD if assembly products are required.

Note 3: Refer to page 608 and 609 for attached "B" bracket, and to the related products on page 691 for attachment "G" pressure gauge.

Note 4: Refer to page 602 for How to order K60570 copper and PTFE free.

Note 5: Refer to page 543 for operation condition for automatic drain.

<Example of model number>

**K61440E-2C-FGBJ**

Model: F.R.L. kit

● A Model no.: Compact type

● B Port size: Rc 1/4

● C Option: NO automatic drain with manual cock, pressure gauge, bracket attached, jumbo bowl

A Model no.	Model no.			
	Miniature	Compact	Compact	Standard
	K60570	K61440E	K61440E-J	K61400E

Symbol	Descriptions				
<b>B Port size</b>					
1C	Rc1/8	●			
2C	Rc1/4	●	●	●	●
3C	Rc3/8		●	●	●
4C	Rc1/2				●
6C	Rc3/4				●
<b>C Option</b>					
Drainage	Blank	Tire valve	●		
	Blank	Manual cock		●	●
	E	Flexible drain		●	●
	F	NO automatic drain with manual cock (exhaust w/o pressurized)			●
*	GB	Pressure gauge, bracket	●	●	●
Bowl	J	Jumbo bowl			Provided

\* : Attachment

Copper and PTFE free (page 602)

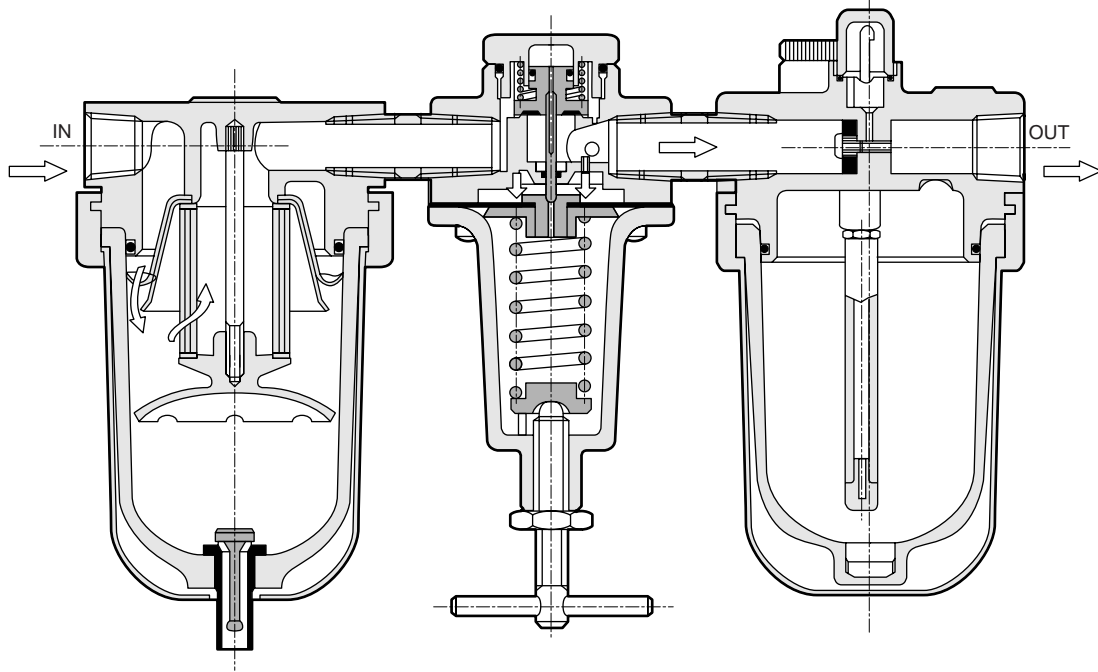
K60570- ..... - P6

- Refrigerating type dryer
- Desiccant type dryer
- High polymer membrane dryer
- Air filter
- Auto. drain / others
- F.R.L. (Module unit)
- F.R.L. (Separate)
- Compact F.R.
- Precise regulator
- F.R.L. (Related products)
- Clean F.R.
- Electro pneumatic regulator
- Air booster
- Speed control valve
- Silencer
- Check valve / others
- Joint / tube
- Vacuum filter
- Vacuum regulator
- Suction plate
- Magnetic spring buffer
- Mechanical pressure SW
- Electronic pressure SW
- Contact / close contact cont. SW
- Air sensor
- Pressure SW for coolant
- Small flow sensor
- Small flow controller
- Flow sensor for air
- Flow sensor for water
- Total air system
- Total air system (Gamma)

Ending

F.R.L. kit  
F.R.L. unit

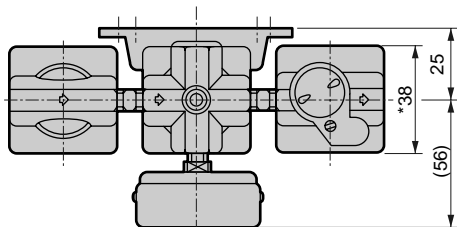
## Internal structure



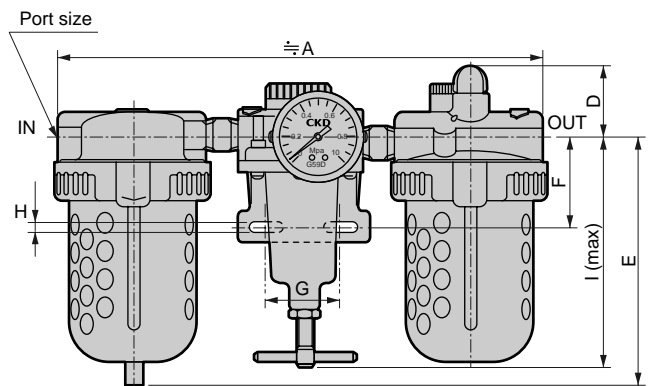
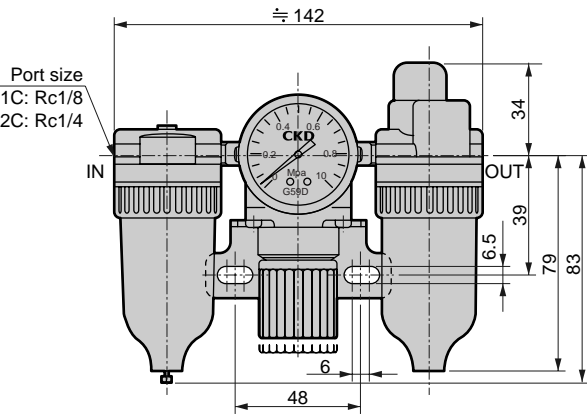
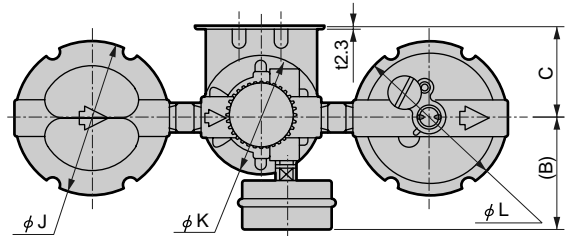
## Dimensions



● K60570-1/2C-GB



- K61440E-2/3C-EGB
- K61440E-2/3C-EGBJ
- K61440E-2/3C-FGBJ
- K61400E-2/3/4/6C-EGB
- K61400E-2/3/4/6C-FGB



Model no.	A	B	C	D	E	F	G	H	I	J	K	L	Port size
K61440E-2/3C-EGB	227	71	62.5	42	101	58	48	6.6 x 16	109	73	66	73	Rc1/4, 3/8
K61440E-2/3C-EGBJ	227	71	62.5	42	156	58	48	6.6 x 16	109	73	66	73	Rc1/4, 3/8
K61440E-2/3C-FGBJ	227	71	62.5	42	167	58	48	6.6 x 16	109	73	66	73	Rc1/4, 3/8
K61400E-2/3/4/6C-EGB	298	72	60	44.5	160	62	47	7 x 15	162	95	76.5	95	Rc1/4, 3/8, 1/2, 3/4
K61400E-2/3/4/6C-FGB	298	72	60	44.5	172	62	47	7 x 15	162	95	76.5	95	Rc1/4, 3/8, 1/2, 3/4

Note: Refer to pages 608 to 609 for dimensions of bracket.