

Wall Mounted Light

WME Series**HANYOUNG NUX****INSTRUCTION MANUAL**

Thank you for purchasing HANYOUNG product.
Please check whether the product is the exactly same as you ordered. Before using the product, please read this instruction manual carefully.

HEAD OFFICE

1381-3, Juan-Dong, Nam-Gu Incheon, Korea
TEL : +82-32-876-4697 FAX : +82-32-876-4696 <http://www.hynux.net>

SAFETY INFORMATION

This product is only suitable for indoor use. Please keep it away from damp place.

**Caution**

- Please use correct voltage. Over voltage will cause a break down of product.
- Please refer to 'Wiring Diagram' when you wire product. Wrong wiring will cause a break down of product.
- Do not pull wire strongly that is outside of product. It will cause a break down of product.
- Big impact on this product will cause a break down of LED units.
- Please do not change parts of product or do not use other product parts. It will cause a break down of product.
- End of unused lead wire must be insulated.
- Contamination by thinner, benzene over lens or top cover will cause a fade in color or transformation in shape.
- Power switch and fuse are not attached to this product. So please install them outside. (Fuse rated : 250 V 0.2 A)

HOW TO ORDER

Model	Suffix code	Description
WME	<input type="checkbox"/> <input type="checkbox"/> <input type="checkbox"/>	Wall Mounted Light
Body	B	Beige color
	C	Chrome plating
Function	A	Continuous light
	F	Continuous light, Flashing light, Buzzer
Rated Voltage	C51	24 V ac / d.c 50 - 60 Hz

Example)

WME - B - F - C 5 1

➔ Wall Mount Ellipse, Beige color, Continuous light, Flashing light, Buzzer, 24 V a.c / d.c 50 - 60 Hz

WME - C - A - C 5 1

➔ Wall Mount Ellipse, Chrome plating, Continuous light, 24 V ac / dc 50 - 60 Hz

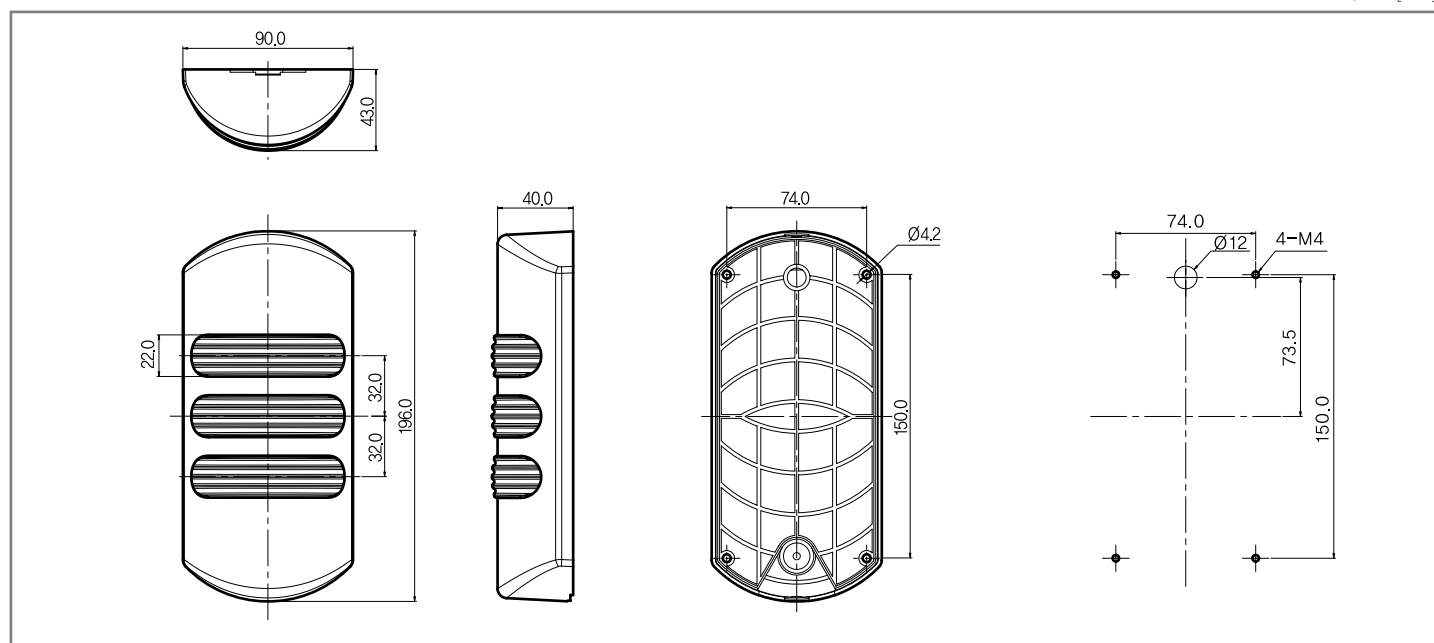
SPECIFICATION

Color	RED, YELLOW, GREEN 3 colors.
Flashing Light	60 flashes per 1 minute
Buzzer	2 kinds of buzzer (Approx. 80 cB at 1 meter)
Drive	Relay, NPN, PNP Transistor Open Collector Drive 24 V a.c/d.c
Power consumption	0.5 W per each lamp, max. 2.1 W
Protection class	IP54

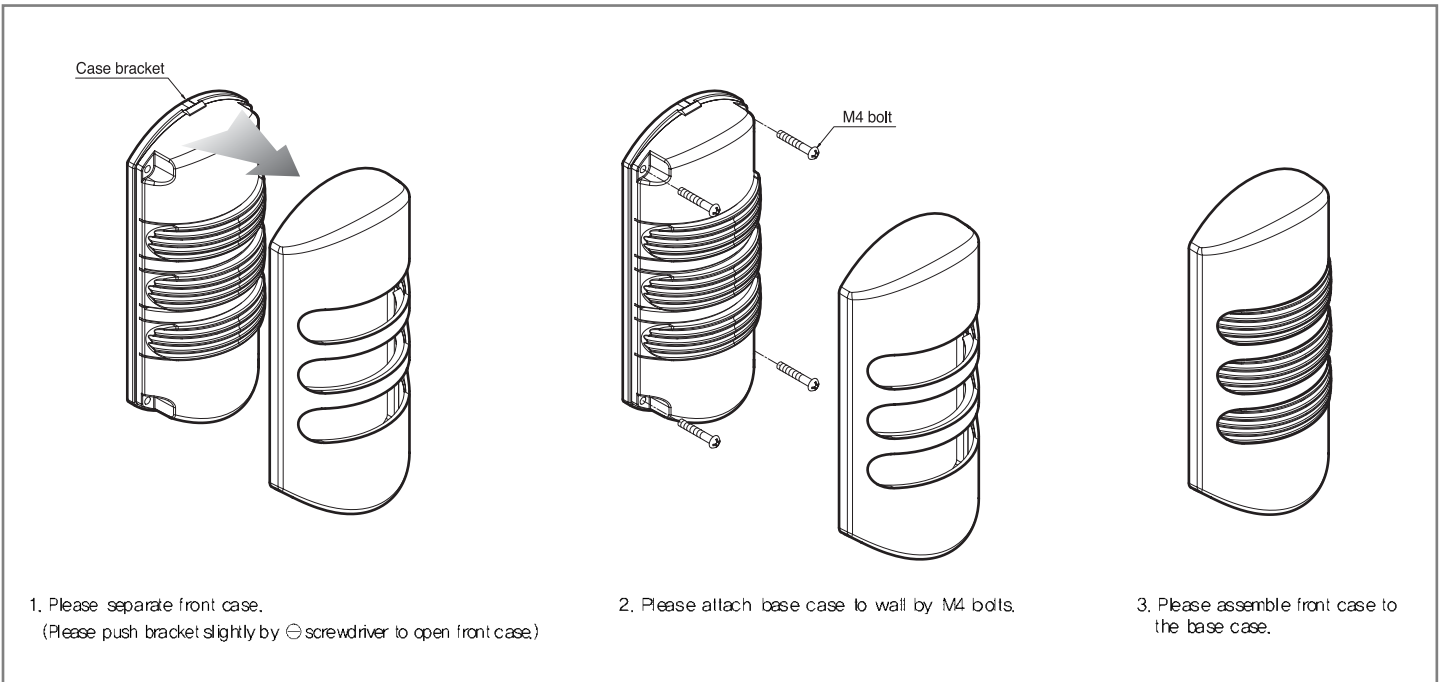
DIMENSIONS

■ WME Series

Unit : [mm]

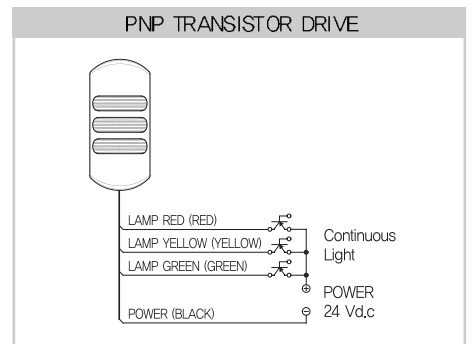
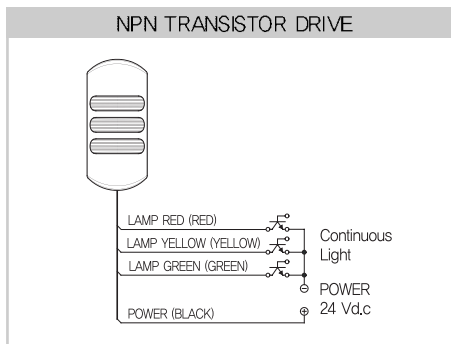
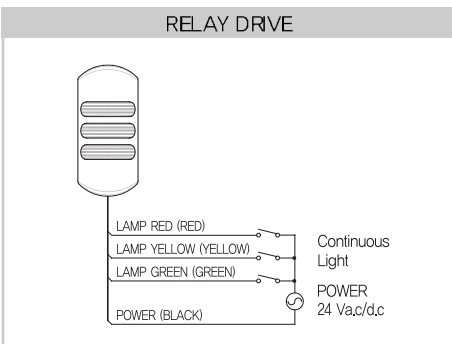


HOW TO ATTACH

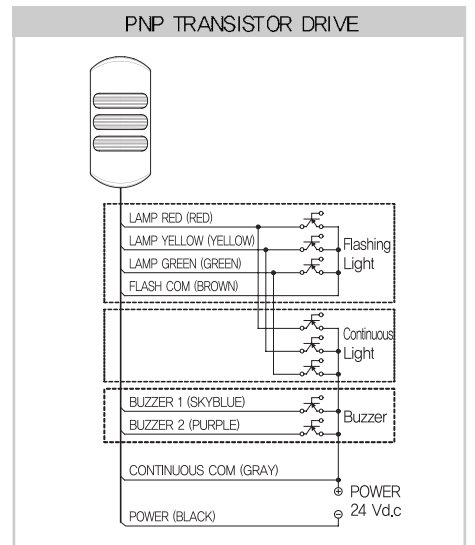
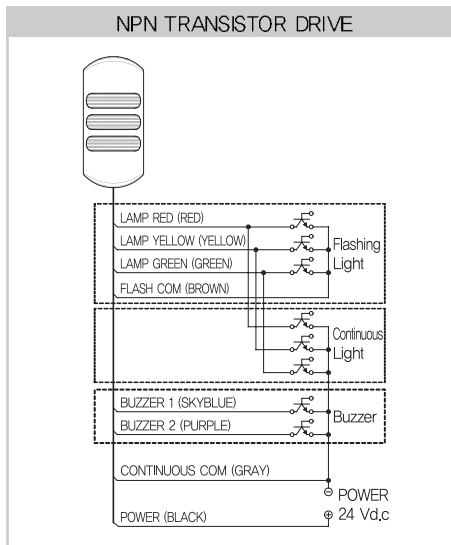
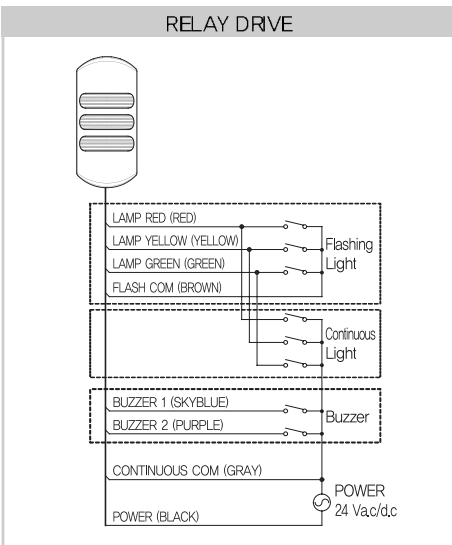


WIRING DIAGRAM

■ WME-A (Continuous light)



■ WME-F (Continuous light, Flashing light, Buzzer)



WIRING AND HOW TO USE

- Before switching on, please make sure all the wire connections are right.
- When you use PNP or NPN Drive and in case of 24 V a.c/d.c, please pay attention to the polarity.