

Signal Light

SLB 060**INSTRUCTION MANUAL**

Thank you for purchasing HANYOUNG product.
Please check whether the product is the exactly same as you ordered. Before using the product, please read this instruction manual carefully.

**HEAD OFFICE**

1381-3, Juan-Dong, Nam-Gu Incheon, Korea
TEL : +82-32-876-4697 FAX : +82-32-876-4696 <http://www.hynux.net>

SAFETY INFORMATION

This product is only suitable for indoor use. Please keep it away from damp place.

**Caution**

- Please use correct voltage. Over voltage will cause a break down of product.
- Please refer to 'Wiring Diagram' when you wire product. Wrong wiring will cause a break down of product.
- Do not pull wire strongly that is outside of product. It will cause a break down of product.
- Big impact on this product will cause a break down of LED units.
- Please do not change parts of product or do not use other product parts. It will cause a break down of product.
- End of unused lead wire must be insulated.
- Contamination by thinner, benzene over lens or top cover will cause a fade in color or transformation in shape.
- Power switch and fuse are not attached to this product. So please install them outside. (Fuse rated : 250 V 0.2 A)

HOW TO ORDER

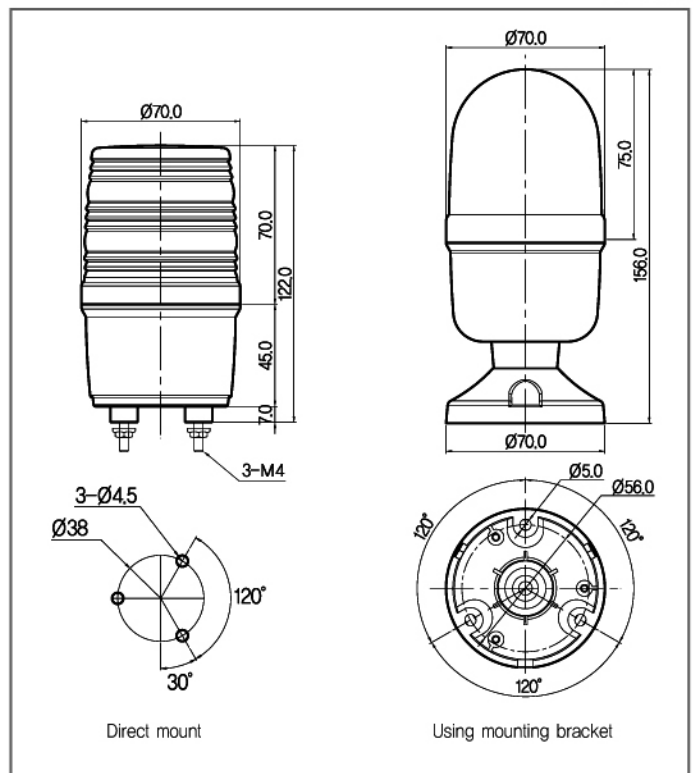
Model	Suffix code	Description
SLB	□ - □ □ □ □	Signal Light
Body	060	Ø70
Shape & Function	RA	Round shape lense, Prop mount
	XA	Square shape lense, Prop mount
	PA	Round shape lense, Direct mount
	FA	Square shape lense, Direct mount
	PF	Round shape lense, Direct mount
	FF	Square shape lense, Direct mount
Rated Voltage	C51	24 V d.c/a.c 50 - 60 Hz
	A11	110 - 240 a.c 50 - 60 Hz
Color	R	Red
	Y	Yellow
	G	Green

SPECIFICATION

Model	SLB060-RA□□	SLB060-XA□□
	SLB060-PA□□	SLB060-FA□□
	SLB060-PF□□	SLB060-FF□□
Shape	Round Cap (Ø60)	Square Cap (Ø60)
Rated Voltage	24 V d.c/a.c, 100 - 240 V a.c 50 - 60 Hz	
Power consumption	less than 2.5 W (24 V d.c/a.c), less than 4 W (100 - 240 V a.c)	
Flashing time	Approx. 60 times/1 minute	-
Light source	LED	
Buzzer	2Kind buzzer Approx. 80 dB at 1 m	-
Drive	C51	Relay, NPN & PNP Transistor Open Collector
	A11	Relay, NPN Transistor Open Collector
Material	CAP : Acryl, Body : ABS	
Color	Red, Yellow, Green	
Degree of protection	IP54	

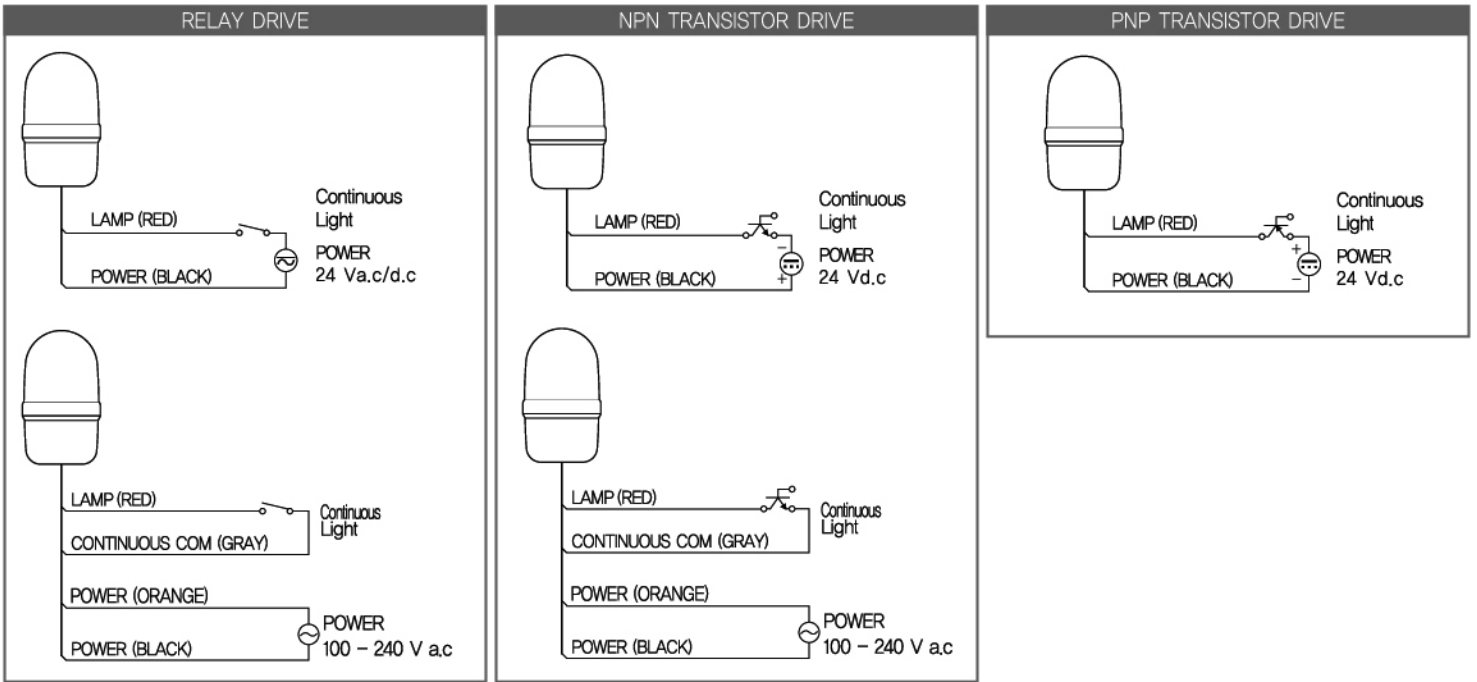
DIMENSIONS

Unit : [mm]

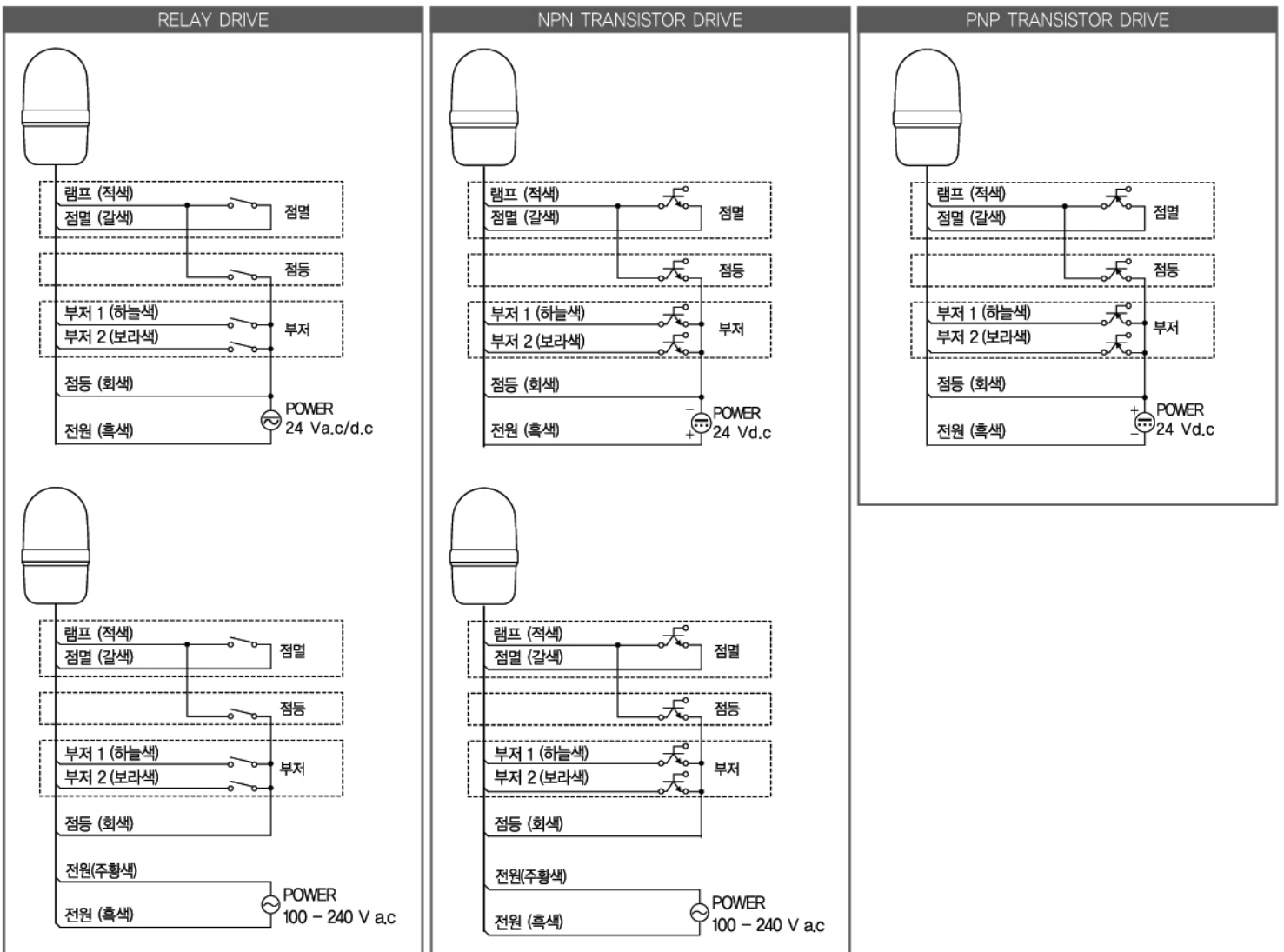


WIRING DIAGRAM

■ Continuous light



■ Continuous light, Flashing light, Buzzer



WIRING AND HOW TO USE

- Before switching on, please make sure all the wire connections are right.
- When you use PNP or NPN Drive and in case of 24 V a.c./d.c, please pay attention to the polarity.