

An Elegance Style, functionality & contemporary design with a powerful suction



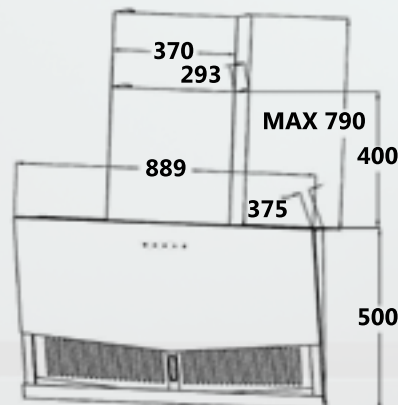
LCH-STONE-90BL

Sensor Touch Panel
Black Coated Stainless Steel & Tempered Glass Finishing
1400m³/h
3 Speed Touch Control
Black Coated Stainless Steel Filter
With Recirculating System (optional)

NOW:
RM 1,388 NP: RM2,095



**Recirculating System
(Optional)**



Patented = ZL200620068054.2



**One Touch
Auto Cleaning**



**10minutes
Auto Cleaning**



Twin Motor



Problem with Space?

Livinox Slim Hood

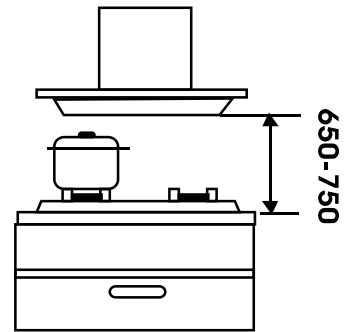
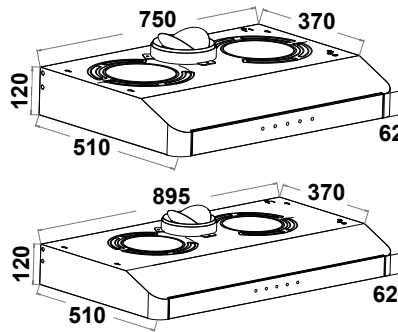
- Slim Body Hood
- Powerful Suction
- Compact design with a reliable recirculating system fits any kitchen effectively.

Bye Bye smoke & Grease



LCH-620-76B / LCH-620-90B

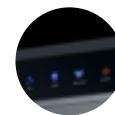
760mm / 900mm Slim Hood
 Matt Black Coating Body and Tempered Glass Finishing
 2 Speed Sensor Touch
 Air Flow 1200m³/h
 Auto Cleaning Heating Element
 Twin Copper Motor
 2 Cone Line Net Filter
 3 Stainless Steel Oil Cup
 Ducted or Recirculation Air Operation
 with Aluminium Ducting Hose and Charcoal Filter
 Air Outlet : 150mm
 NP: RM1,428/1,528



Arc Corner Design



Cone Line Filter



Sensor Touch Panel



LED Lamp



Recirculating System

LIVINOX[®]
FOR A BETTER LIFESTYLE

Livinox Malaysia Sdn Bhd (1089457-U)
 Block B-1-29, Dataran Cascades, No.13A, Jalan PJU 5, Kota Damansara, 47810 Petaling Jaya, Selangor, Malaysia.
 Tel: **03-7611 6192** Fax: **03-7611 6191**

Authorized Dealer

The products shown will be available during the promotion period. All price are subject to change without prior notice.
 Livinox Malaysia Sdn Bhd reserves the right to change to the existing terms & condition.