

# LIVINOX<sup>®</sup>

# GERMANY

KITCHEN APPLIANCES / 2022 EDITION

FOR A  
BETTER  
LIFESTYLE



For more information, please scan



PATENTED=ZL200620068054.2







## LCH-COPPERPLUS-90SS

NORMAL PRICE RM5,040

WEST MALAYSIA **RM2,988**

EAST MALAYSIA RM3,137

- Multifunction Sensor Touch
- Stainless Steel & Tempered Glass Finishing
- 1750m<sup>3</sup>/h
- Dual Direction Suction
- Food Warmer Panel
- 3 Speed Touch Control + Turbo System
- Delay Timer
- Self-cleaning with Heating Element
- Removable Ducting Cover
- Easy Maintenance
- Wall Panel Protection
- With Recirculating System (Optional)

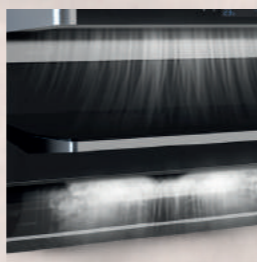
		
One Touch Auto-cleaning	Suction Power 1750m <sup>3</sup> /h	Dual Suction (Upper and Side Suction)
		
10 Minutes Auto-cleaning	Removable Ducting Cover	With Recirculating System (Optional)

COOKER HOOD THAT ELIMINATES SMOKE

## & KEEPS YOUR FOOD WARM



BUILT-IN FOOD WARMER



DUAL SUCTION



PRICE ARE INCLUDED BUILT-IN-HOB  
LGH-EURECA 2B-BL **WORTH RM1,210**

### +PWP ADD ON RM148



LDR-918BK DOUBLE LAYER STAINLESS STEEL DISH RACK **WORTH RM510**



LDR-998 DOUBLE LAYER STAINLESS STEEL DISH RACK **WORTH RM510**



MOTOR WARRANTY

\*\*\*\*\*

PATENTED=ZL200620068054.2

## LCH-COPPER-90SS

NORMAL PRICE RM4,580

WEST MALAYSIA **RM2,888**

EAST MALAYSIA RM3,032

- Multifunction Sensor Touch
- Stainless Steel & Tempered Glass Finishing
- 1650m<sup>3</sup>/h
- Dual Direction Suction
- 3 Speed Touch Control
- Self-cleaning with Heating Element
- Removable Ducting Cover
- Easy Maintenance
- Wall Panel Protection
- With Recirculating System (Optional)

## COMPARISON CHART

	COPPERPLUS	COPPER
SUCTION POWER	1750m <sup>3</sup> /h	1650m <sup>3</sup> /h
DUAL SUCTION	✓	✓
FOOD WARMER PANEL	✓	-
AUTO-CLEANING	✓	✓
RECIRCULATING SYSTEM	✓	✓



One Touch Auto-cleaning



Suction Power 1650m<sup>3</sup>/h



Dual Suction (Upper and Side Suction)



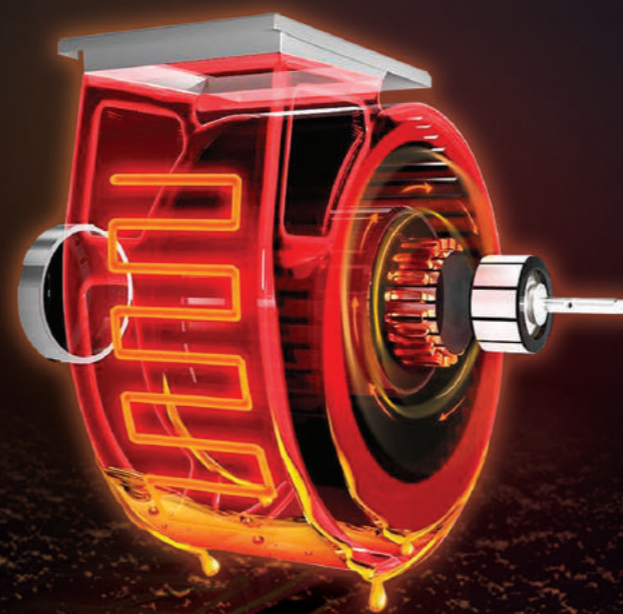
10 Minutes Auto-cleaning



Removable Ducting Cover

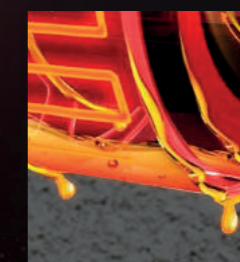


With Recirculating System (Optional)

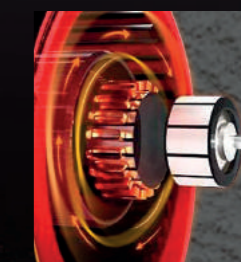


## ONE TOUCH AUTO-CLEANING

Just One Touch For Odorless Kitchen



Heats and dissolves sticky grease



Sirocco fan spins and grease is transferred to oil tray



PATENTED=ZL200620068054.2

### LCH-MICA-90BL

NORMAL PRICE RM5,040

WEST MALAYSIA **RM2,988**

EAST MALAYSIA RM3,137

- Multifunction Sensor Touch
- Black Coated Stainless Steel & Tempered Glass Finishing
- 1650m<sup>3</sup>/h
- 3 Speed Touch Control
- Self-cleaning with Heating Element
- Wall Panel Protection
- With Recirculating System (Optional)



Ultra Slim Design



One Touch Auto-cleaning



10 Minutes Auto-cleaning



Dual Suction (Upper and Side Suction)



Sensor Touch Panel



With Recirculating System (Optional)



PRICE ARE INCLUDED BUILT-IN HOB

LGH-EURECA 2B-BL WORTH RM1,210

**+PWP** ADD ON RM148



LDR-918BK DOUBLE LAYER STAINLESS STEEL DISH RACK WORTH RM510

OR



LDR-998 DOUBLE LAYER STAINLESS STEEL DISH RACK WORTH RM510



PATENTED=ZL200620068054.2

### LCH-PEARL-90B

NORMAL PRICE RM5,040

WEST MALAYSIA **RM3,788**

EAST MALAYSIA RM3,977

- Multifunction Sensor Touch
- Stainless Steel & Black Tempered Glass Finishing
- 1600m<sup>3</sup>/h
- Self-cleaning with Heating Element
- 6 Pre-set Program + Turbo (Stir-fried)
- Built-in Air Ionizing
- Intelligence LED design



One Touch Auto-cleaning



10 Minutes Auto-cleaning



Stir-fried Suction



Built-in Air Ionizing



PRICE ARE INCLUDED BUILT-IN-HOB

LGH-EURECA 2B-BL WORTH RM1,210

**+PWP**

FOR LCH-PEARL-90BL PACKAGE



ADD ON RM98 LKW-303SET 3PCS SET COOKWARE WORTH RM500



PATENTED=ZL200620068054.2

### LCH-LAZULI-90SS

NORMAL PRICE RM5,780

WEST MALAYSIA **RM3,688**

EAST MALAYSIA RM3,872

- Multifunction Sensor Touch
- Stainless Steel & Tempered Glass Finishing
- 1800m<sup>3</sup>/h
- 3 Speed Touch Control + Turbo System
- Self-cleaning with Heating Element
- Delay Timer
- Twin Motor



One Touch Auto-cleaning



10 Minutes Auto-cleaning



Twin Motor



Turbo System



PATENTED=ZL200620068054.2

### LCH-GOSSAN-90SS

NORMAL PRICE RM3,380

WEST MALAYSIA **RM2,588**

EAST MALAYSIA RM2,717

- Multifunction Sensor Touch
- Stainless Steel Finishing
- 1450m<sup>3</sup>/h
- 3 Speed Touch Control + Turbo System
- Self-cleaning with Heating Element
- Delay Timer



One Touch Auto-cleaning



10 Minutes Auto-cleaning



Stir-fried Suction



**+PWP**

FOR LCH-GOSSAN-90SS & LCH-LAZULI-90SS PACKAGE



ADD ON RM58 LBA-3RB35B-SS 3 LAYER STAINLESS STEEL BASKET WORTH RM200

OR

ADD ON RM68 LBA-3RB45-SS 3 LAYER STAINLESS STEEL BASKET WORTH RM235



PATENTED=ZL200620068054.2

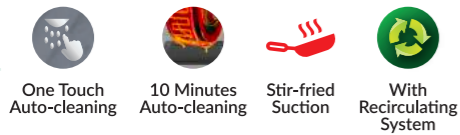
### LCH-RUBY-90SS

NORMAL PRICE RM3,830

WEST MALAYSIA **RM2,588**

EAST MALAYSIA RM2,717

- Multifunction Sensor Touch Panel
- Stainless Steel Finishing
- 1450m<sup>3</sup>/h
- 3 Speed Touch Control
- Self-cleaning with Heating Element
- Stainless Steel Cover Panel
- Turbo System
- With Charcoal Filter
- Recirculating System



PATENTED=ZL200620068054.2

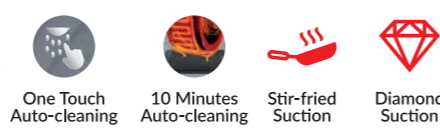
### LCH-AMOLITE-90SS

NORMAL PRICE RM4,580

WEST MALAYSIA **RM3,188**

EAST MALAYSIA RM3,347

- Multifunction Sensor Touch Panel
- Stainless Steel & Tempered Glass Finishing
- 1600m<sup>3</sup>/h
- 3 Speed Touch Control
- Self-cleaning with Heating Element
- Stainless Steel Cover Panel
- Turbo System



PATENTED=ZL200620068054.2

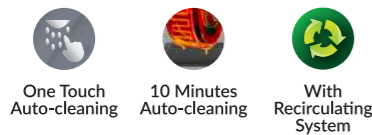
### LCH-LAPIS-90SS

NORMAL PRICE RM3,090

WEST MALAYSIA **RM2,288**

EAST MALAYSIA RM2,402

- Multifunction Sensor Touch Panel
- Stainless Steel & Tempered Glass Finishing
- 1400m<sup>3</sup>/h
- 3 Speed Touch Control
- Gas Sensor
- Self-cleaning with Heating Element
- Double Layer S/S Pyramid Filter
- With Recirculating System (Optional)



PATENTED=ZL200620068054.2

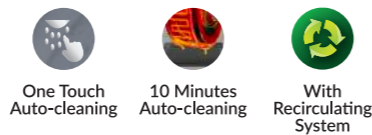
### LCH-TOPAZ-90SS

NORMAL PRICE RM3,430

WEST MALAYSIA **RM2,188**

EAST MALAYSIA RM2,297

- Multifunction Sensor Touch Panel
- Stainless Steel & Tempered Glass Finishing
- 1200m<sup>3</sup>/h
- 3 Speed Touch Control
- Self-cleaning with Heating Element
- S/S Pyramid Filter
- With Recirculating System
- With Charcoal Filter



PATENTED=ZL200620068054.2

### LCH-620-76B LCH-620-90B

620-76B **RM1,678**

620-90B **RM1,798**

- 760mm / 900mm Slim Hood
- Matte Black Coated Body and Tempered Glass Finishing
- 2 Speed Touch Control
- Air Flow 1200m<sup>3</sup>/h
- Self-cleaning with Heating Element
- Twin Copper Motor
- 2 Cone Line Net Filter
- 3 Stainless Steel Oil Cup
- Ducted or Recirculating Air Operation
- With Aluminium Ducting Hose and Charcoal Filter
- Air Outlet 150mm



LED Lamp



Arc Corner Design



Cone Line Filter



Sensor Touch Panel



Twin Motor



One Touch Auto-cleaning



Recirculating System



PRICE ARE INCLUDED  
BUILT-IN-HOB

LGH-EURECA 2B-BL  
WORTH RM1,210

**+PWP**



ADD ON RM148

LDR-918BK

\* While Stock Last  
DOUBLE LAYER STAINLESS  
STEEL DISH RACK  
WORTH RM510

## LCH-615i-90SS (ISLAND HOOD)

**RM7,480**

- Double Side Sensor Touch Panel
- Stainless Steel Finishing
- 1250m<sup>3</sup>/h
- 3 Speed Touch Control
- With Charcoal Filter
- Recirculating System



With Recirculating System



## ISLAND COOKER HOOD

FOR A SLEEK  
& STYLISH KITCHEN



## LCH-601-90SS

**RM1,050**

- 900mm Slim Hood
- Stainless Steel Finishing
- 3 Speed Push Control
- Air Flow 980 m<sup>3</sup>/h
- Twin motor
- 3 Layers Aluminium Filter
- 1\* 2W LED Lamp
- Ducted or Recirculation Air Operation
- With Charcoal Filter
- Air Outlet: 120mm



With Recirculating System



## LCH-60L03

**RM1,050**

- Powder Coating with Stainless Steel Canopy
- Telescopic Hood
- Two Speed Rocker Switch
- Twin Motor
- Air Flow 850m<sup>3</sup>/h
- 2\* 3 Layers Aluminum Grease Filters
- 2\* 2W LED Lamp
- With Charcoal Filter
- Ducted or Recirculation Air Operation
- Air Outlet: 120mm



With Recirculating System



## LCH-605-60SS

**RM1,200**

- 530 mm Built-in Hood
- Stainless Steel Finishing
- 3 Speed Push Control
- Air Flow 650m<sup>3</sup>/h
- 1\* 3Layers Aluminium Filter
- 2\* 1.5W LED Lamp
- Ducted Air Operation



Safety Device

## LGH-EURECA 2B-BL

NORMAL PRICE RM1,210

- 2x Cyclone Burners
- 8mm Black Tempered Glass
- Cast Iron Pan Support
- L:4.5 ; R:4.5 (kW)
- Imported Safety Device



3D Burner



Safety Device

## LGH-TSUGA 2B-BL

NORMAL PRICE RM1,280

ADD ON **RM50**

- 2x 3D Rapid Burners
- 8mm Black Tempered Glass
- Cast Iron Pan Support
- L:4.6 ; R:4.6 (kW)
- Imported Safety Device



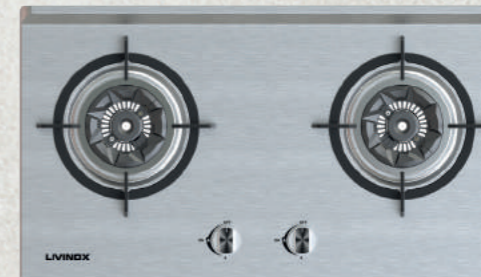
Safety Device

## LGH-RUMEX 3B-BL

NORMAL PRICE RM1,670

ADD ON **RM300**

- 2x Triple Flame Burners
- 1x Double Flame Burner
- 8mm Black Tempered Glass
- Cast Iron Pan Support
- L:5.0 ; R:5.0 ; M:1.7 (kW)
- Imported Safety Device



3D Burner



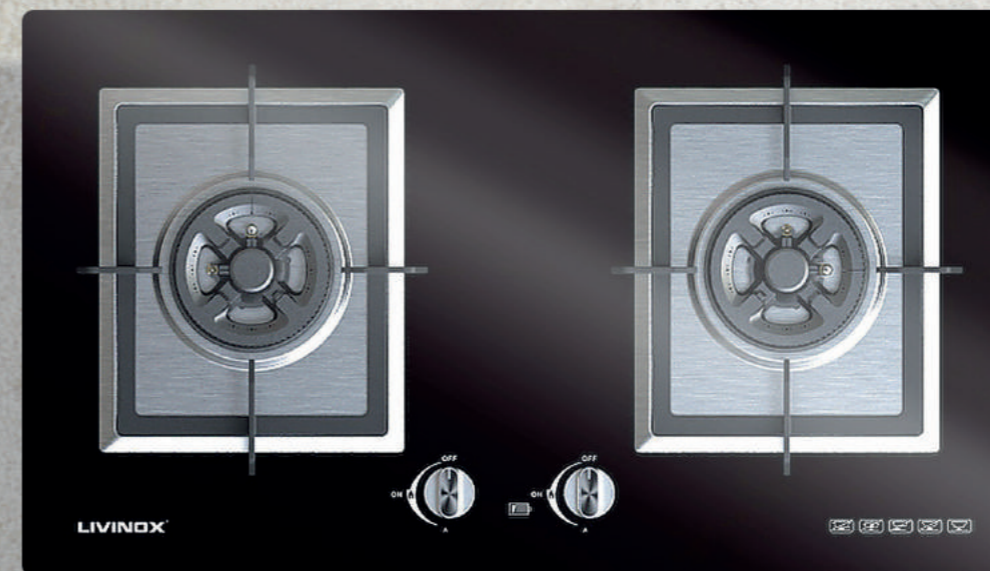
Safety Device

## LGH-ABIE 2B-SS

NORMAL PRICE RM1,360

ADD ON **RM100**

- 2x 3D Rapid Burners
- Stainless Steel Finishing
- Cast Iron Pan Support
- L: 4.8 ; R: 4.8 (kW)
- Imported Safety Device



Low Battery Indicator



2x Triple Flame



Import Safety Device

## LGH-LOTUS 2B-BL

NORMAL PRICE RM2,060

ADD ON **RM350**

- 2x Triple Flame Burners
- 8mm Black Tempered Glass
- Low Battery Indicator
- Cast Iron Pan Support
- L:5.0 ; R:5.0 (kW)
- Imported Safety Device

## LGH-SALIX 2BT-BL

NORMAL PRICE RM1,490  
ADD ON **RM280**

- 2x 3D Rapid Burners
- 8mm Black Tempered Glass
- Digital Timer (Left Side, Timer up to 180min)
- Cast Iron Pan Support
- L: 5.0 ; R: 5.0 (kW)
- Imported Safety Device



Digital Timer  
(Up to 180min)



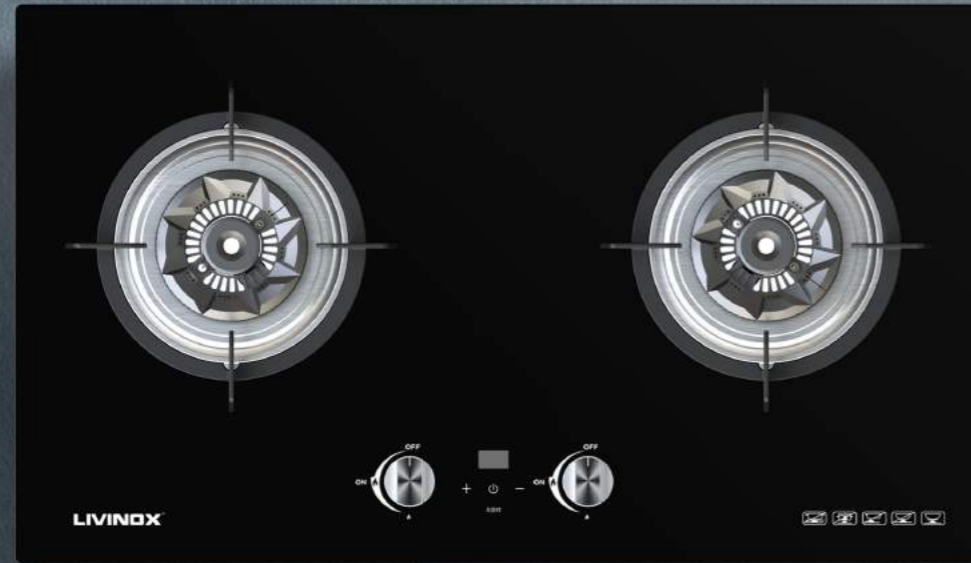
3d Burner



Safety Device



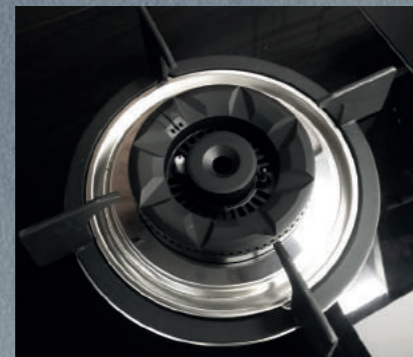
Cast Iron  
Pan Support



**3D BURNER**  
HEATING POWER  
FOR BEST COOKING



**CAST IRON  
PAN SUPPORT**  
DURABLE AND  
HEAT-RESISTANT



**TEMPERED  
GLASS**  
SOLID AND NEVER  
DEFORMS IN SHAPE



**INTELLIGENT TIMER**  
CONVENIENTLY SET  
COOKING TIMER



**SAFETY DEVICE**  
FLAME FAILURE  
SAFETY DEVICE



## BUILT FLEXI FOR YOU

FLEXIBLE BUILT-IN DIMENSION

## LGH-PINE 3BF-BL

NORMAL PRICE RM2,840  
ADD ON **RM700**

- 2x 3D Rapid Burners
- 1x Rapid Burner
- 8mm Black Tempered Glass
- Cast Iron Pan Support
- L: 5.5 ; R: 5.5 ; M: 2.0 (kW)
- Imported Safety Device



Flexi  
Built-in



3x  
Powerful



5.5kW  
Fire  
Flame



Safety  
Device



### LGH-288 2B-BL

NORMAL PRICE RM2,270  
ADD ON **RM450**

- 2x Rapid Burners
- 8mm Black Tempered Glass
- Cast Iron Pan Support
- Wind Resistance & Heat Enhancement
- L: 5.5 ; R: 5.5 (kW)
- Imported Safety Device



Flexi  
Built-in



### LGH-388 3B-BL

NORMAL PRICE RM2,750  
ADD ON **RM650**

- 3x Rapid Burners
- 8mm Black Tempered Glass
- Cast Iron Pan Support
- Wind Resistance & Heat Enhancement
- L: 5.5 ; R: 5.5 ; M: 1.7 (kW)
- Imported Safety Device



Flexi  
Built-in



### LGH-ACER 2BF-BL

NORMAL PRICE RM2,370  
ADD ON **RM500**

- 2x 3D Rapid Burners
- 8mm Black Tempered Glass
- Cast Iron Pan Support
- L: 5.5 ; R: 5.5 (kW)
- Imported Safety Device



Flexi  
Built-in

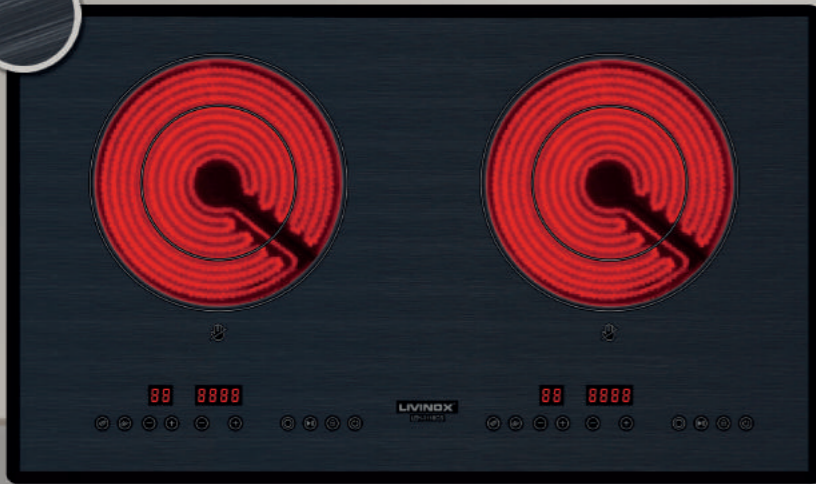
## LEH-3118CS

NORMAL PRICE RM2,980

ADD ON **RM500**

- Left Zone : 2200W Ceramic Dual Zone
- Right Zone : 2200W Ceramic Dual Zone
- Kanger Glass (Brushed Effect)
- Up to 12 Power Level
- Touch Control Panel
- Intelligent Function
- BBQ Function
- Child Lock Safety Device
- Over-heat Protection
- Over-flow Protection
- With Timer Control
- Timer : 0 - 24 hours
- Residual Heat Indicator

MATTE BRUSHED EFFECT



### COMPARISON CHART

	3118	4118
KANGER GLASS	✓	✓
CHILD LOCK PROTECTION	✓	✓
BBQ FUNCTION	✓	✓
INTELLIGENT FUNCTION	✓	✓
STIR-FRIED FUNCTION	✓	✓
CERAMIC COOKER	✓	✓
INDUCTION COOKER	-	✓



Kanger Glass



15 amp



Timer up to 24hrs



BBQ Function



Intelligent Function



Stir Fried Function



Child Lock Protection



Sensor Touch Control Panel



Varied Cookware Material Support

## LEH-4118ICS

NORMAL PRICE RM3,090

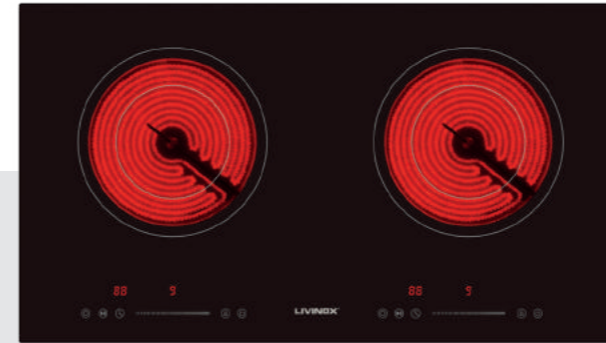
ADD ON **RM550**

- Left Zone : 2200W Induction Zone
- Right Zone : 2200W Ceramic Dual Zone
- Kanger Glass (Brushed Effect)
- Up to 12 Power Level
- Touch Control Panel
- Intelligent Function
- Special addition feature on Ceramic Zone: BBQ Function
- Child Lock Safety Device
- Over-heat Protection
- Over-flow Protection
- With Timer Control
- Timer : 0 - 24hrs

SPECIAL ADDITION FEATURE ON INDUCTION ZONE:

Keep Warm Function (3 temperature setting, 45°C, 65°C, 85°C) with Booster Function

MATTE BRUSHED EFFECT



## LEH-3218CS

NORMAL PRICE RM3,410

ADD ON **RM1,100**



E-G-O Heating elements

- Left Zone: 2200W
- Right Zone: 2200W
- Max Power 2800W
- Sharing Power
- Sensor/Slider Touch Control Panel
- Eurokera Glass
- Germany EGO Heating Element
- Intelligent Function
- Child Lock Safety Device
- Over-heat Protection
- Over-flow Protection
- With Timer Control
- Timer: 0-99mins
- 13amp

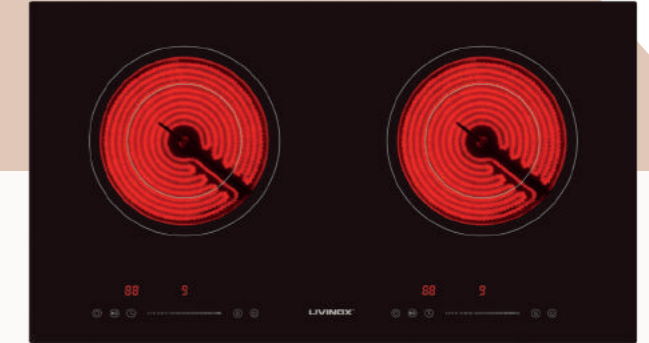


## LEH-2000I (DOMINO INDUCTION HOB)

NORMAL PRICE RM1,780

ADD ON **RM250**

- Front Zone: 2000W
- Rear Zone: 1500W
- Kanger Glass
- Sensor/Slider Touch Control Panel with Booster Function
- Individual Timer Control
- Intelligent Function
- Child Lock Safety Device
- Over-heat Protection
- Over-flow Protection
- Pan Sensor
- 15amp

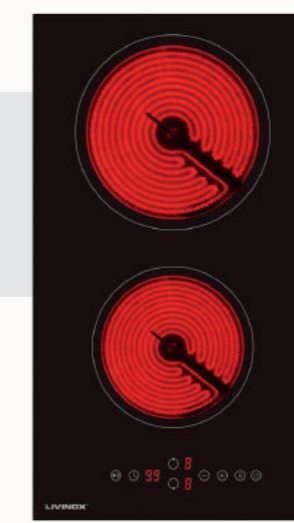


## LEH-3318CS

NORMAL PRICE RM2,380

ADD ON **RM400**

- Left Zone: 2200W
- Right Zone: 2200W
- Max Power 2800W
- Sharing Power
- Sensor/Slider Touch Control Panel
- Kanger Glass
- Intelligent Function
- Double Zone Heating Element
- Child Lock Safety Device
- Over-heat Protection
- Over-flow Protection
- With Timer Control
- Timer: 0 - 99 mins
- 13amp



## LEH-3000C (DOMINO CERAMIC HOB)

NORMAL PRICE RM1,390

ADD ON **RM200**

- Front Zone: 1800W
- Rear Zone: 1200W
- Kanger Glass
- Sensor Touch Panel
- Intelligent Function
- Over-heat Protection
- Over-flow Protection
- with Timer Control
- Timer : 0 - 99 mins
- Child Lock Safety Device
- 15amp

# LFC-9609-110SS

NOW **RM9,888**



Lamp Oven



Upper & Lower Heating



Lower Heating Element



Upper Heating Element



Grill



Grill & Fan



Upper & Lower Heating Element & Fan



Turbo Heating Fan



Fan

### GAS HOB

- Polished Stainless Steel Table Top
- Sabaf Burners
- 1x Wok Burner (3.6kW)
- 1x Large Burner (2.9kW)
- 2x Middle Burners (1.7kW)
- 1x Auxiliary Burner (0.95kW)
- Auto Ignition
- Flame Failure Device (FFD)
- Cast Iron Pan Support
- LPG Gas Type

### OVEN

- 9 Functions
- 110 Litres Large Capacity
- Digital Timer
- Removable Double Layer Glass Door
- Low E Glass
- 4 Layers Side Wire Racks
- 1x Deep Tray
- 1x Wire Tray

### MANUAL STEAM CLEANING

- The easiest way of cleaning the cavity.
- Place 400ml of water into the tray, and use the lower heating function, set oven temperature to 70°C for 30minutes,
- After 30minutes and use cloth to wipe it clean.

Flame Failure Device (FFD) & Auto Ignition



## PWP WITH HOOD+HOB PACKAGE

# COMPARISON CHART

	6F-75SS	9F-75SS
DEFROST		✓
UPPER & LOWER HEATING	✓	✓
UPPER & LOWER HEATING ELEMENT & FAN	✓	✓
LOWER & CIRCULAR HEATING ELEMENT		✓
UPPER HEATING ELEMENT		✓
CIRCULAR HEATING ELEMENT		✓
ROTISSERIE GRILL	✓	✓
ROTISSERIE GRILL WITH FAN ASSIST	✓	✓
LAMP OVEN	✓	✓
LOWER HEATING ELEMENT	✓	

# LBO-LINOX 6F-75SS

NORMAL PRICE RM3,320

PWP NOW **RM1,698**

- 6 Functions
- 75 Litres Capacity
- Removable Triple Layer Glass Door
- With Rotisserie
- Enamel Cavity
- 5 Shelves Side Support
- Mechanical Timer



# LBO-LINOX 9F-75SS

NORMAL PRICE RM4,300

PWP NOW **RM2,088**

- 9 Functions
- 75 Litres Capacity
- Removable Triple Layer Glass Door
- With Rotisserie
- Enamel Cavity
- 5 Shelves Side Support
- Mechanical Timer



REMOVABLE TRIPLE LAYER



PWP WITH HOOD+HOB PACKAGE

## LBO-LINOX 9EM-87SS

NORMAL PRICE RM5,200

PWP NOW **RM2,588**

- 9 Functions
- 87 Litres XXL Capacity
- Steam Clean
- Removable Triple Layer Glass Door
- Low E Glass
- 6 Layers Side Wire Racks
- With Rotisserie
- Mechanical Timer



## LBO-LINOX 9ED-87SS

NORMAL PRICE RM6,500

PWP NOW **RM3,288**

- 9 Functions
- 87 Litres XXL Capacity
- Steam Clean
- Removable Triple Layer Glass Door
- Low E Glass
- 6 Layers Side Wire Racks
- Soft Close Oven Door
- Telescopic Runners
- With Rotisserie
- Digital Timer
- Push Button Function



### +PWP

FOR LBO-LINOX 9EM-87SS & LBO-LINOX 9ED-87SS PACKAGE



**ADD ON RM98**  
LKW-303SET  
3PCS SET  
COOKWARE  
WORTH RM500

- \* While Stock Last
- 3pcs Set Cookware
  - 16" 9.5cm Milk Pot w Glass Lid
  - 24" 13.5cm Casserole w Glass Lid
  - 24" 6.5cm Frying Pan w Glass Lid
  - Stainless Steel

OR



**ADD ON RM198**  
LEH-1010C  
PORTABLE CERAMIC  
COOKER  
WORTH RM530

- Portable Ceramic Cooker
- Black Crystal Ceramic Glass (Brushed Effect)
- Power Rate: 300W - 2000W
- 8 Adjustable Power Level
- 8 Adjustable Temperature Level
- Hot Pot & Soup cooking function
- Sensor Touch and LCD Display Panel
- Child Lock Safety Device
- Timer: 0 - 180 mins
- Overheat Protection

## COMPARISON CHART

	TURBO HEATING FAN	UPPER HEATING ELEMENT	UPPER & LOWER HEATING ELEMENT & FAN	UPPER & LOWER HEATING	TIMER
9EM-87SS	✓	✓	✓	✓	MECHANIC
9ED-87SS	✓	✓	✓	✓	DIGITAL

	LAMP OVEN	GRILL	STEAM CLEANING	GRILL & FAN	FAN
9EM-87SS	✓	✓	✓	✓	✓
9ED-87SS	✓	✓	✓	✓	✓

PWP WITH HOOD+HOB PACKAGE



## EQUIP YOUR HOME WITH MICROWAVE CONVECTION OVEN

FOR TASTIER COOKIES & CAKES



### LMW-925-BL

NORMAL PRICE RM3,320

PWP NOW **RM1,688**

- Digital Control With Grill & Convection
- Grill Power: 1100W
- Convection Power: 2400W
- Cavity : Stainless Steel
- Glass Door : Black Finishing
- 25 Litres
- 5 Power Levels
- 8 Auto Menus
- 95' Cooking Timer
- Cooking end signal
- Defrost by Weight & Time Setting
- 30 seconds Quick Start
- 345mm Glass Turntable

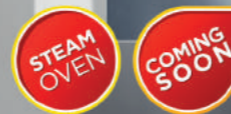


### LMW-928

NORMAL PRICE RM2,870

PWP NOW **RM1,288**

- Digital Control With Automatic Timer
- Stainless Steel Chamber
- Auto Programme 8 Recipes
- 28 Litres
- Defrost by Weight & Time Setting
- Microwave And Grill Heating
- Recirculating Fan



### LSO-A428-SS

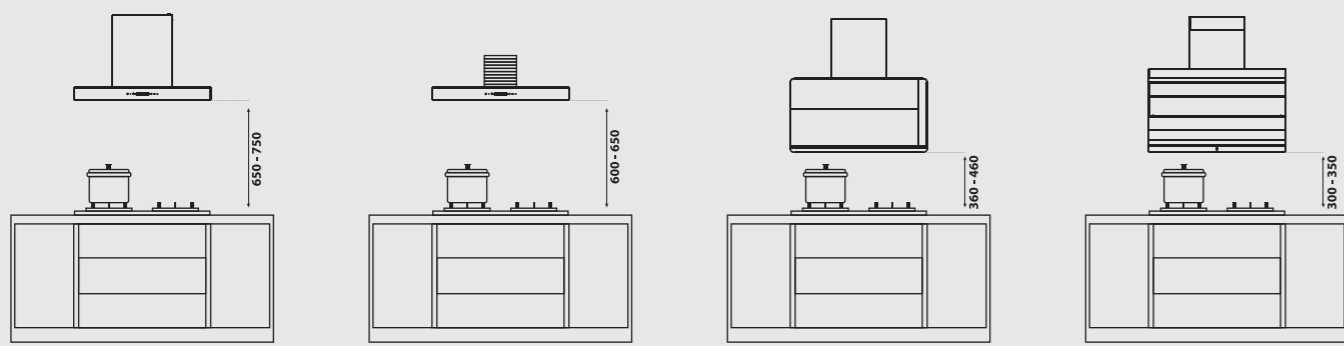
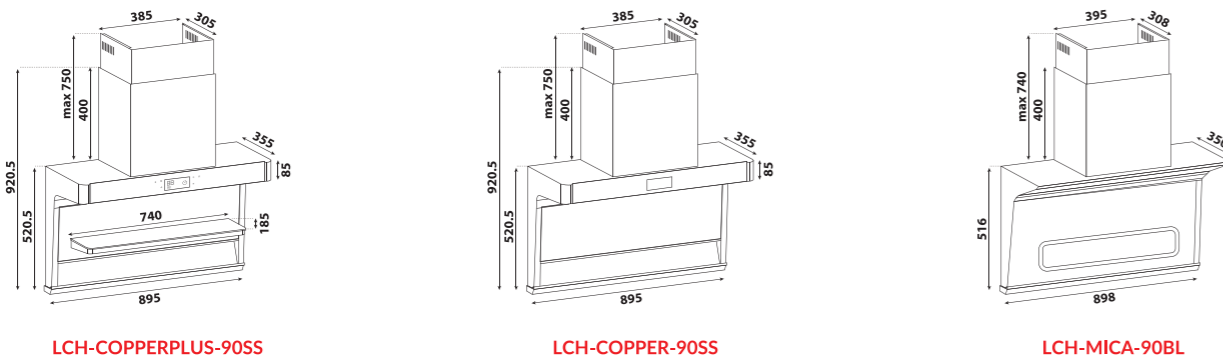
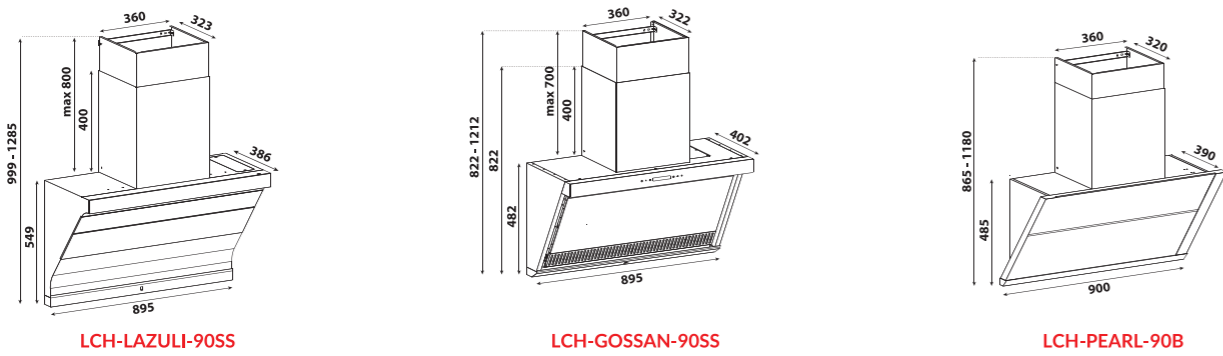
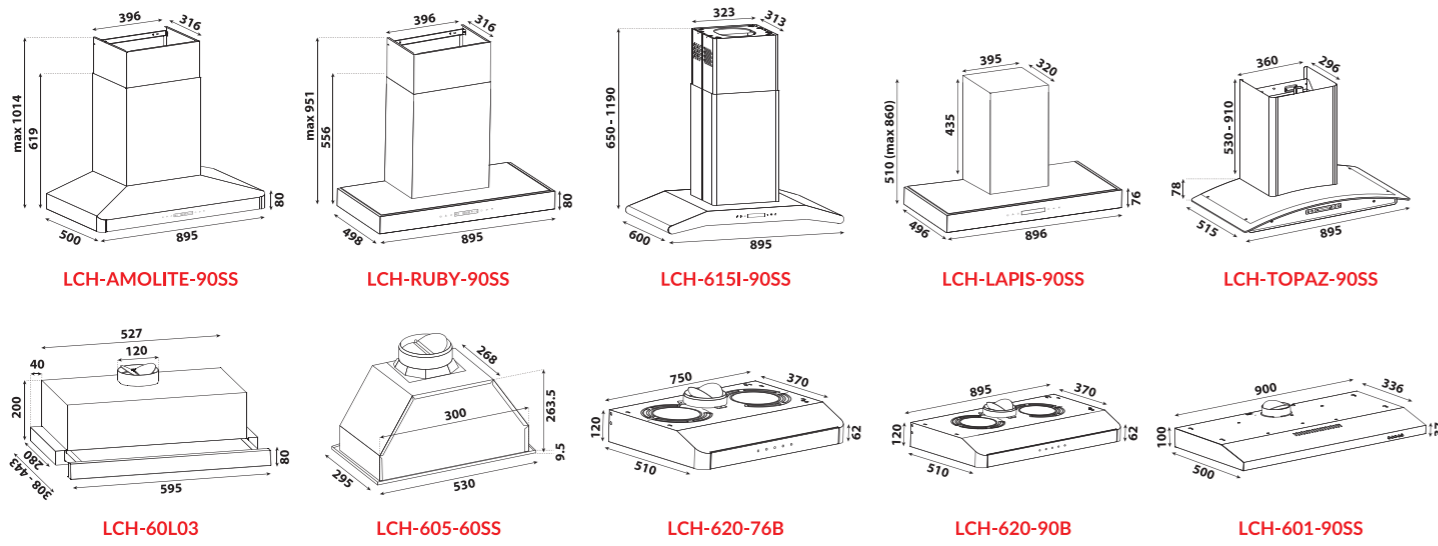
NORMAL PRICE RM5,300

PWP NOW **RM2,988**

- LED Touch Panel Control
- Cavity : Stainless Steel with 3 layer shelves
- Glass Door : Black Finishing
- 42 Litres Large Capacity
- 8 Pre-set Menu Steam Function
- Temperature setting : 38 - 100°C (default on Ferment & Defrost mode)
- Time setting : 01 - 99 min
- Auto sleep mode
- Child lock safety device

**BUILT-IN HOOD DIMENSION**

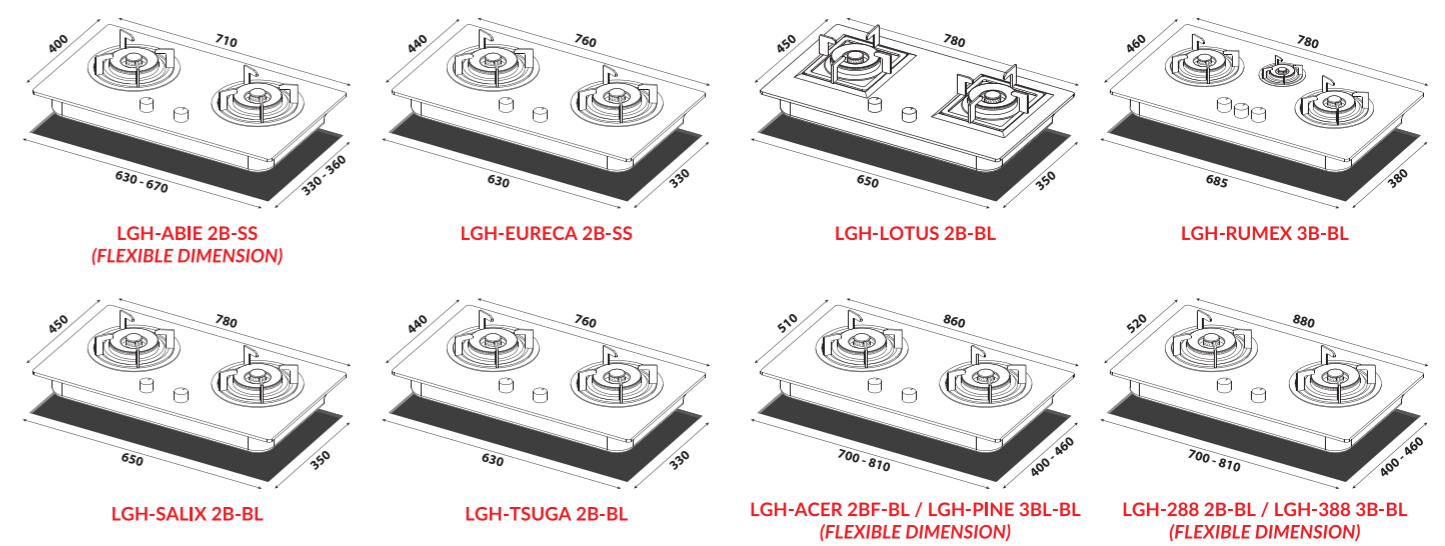
measurements in mm



**LCH-AMOLITE-90SS**  
**LCH-RUBY-90SS**  
**LCH-615I-90SS**  
**LCH-LAPIS-90SS**  
**LCH-TOPAZ-90SS**  
**LCH-620-76B/90B**  
**LCH-601-90SS**  
**LCH-605-60SS**  
**LCH-60L03**  
**LCH-LAZULI-90SS**  
**LCH-GOSSAN-90SS**  
**LCH-PEARL-90B**  
**LCH-COPPER-90SS**  
**LCH-COPPERPLUS-90SS**  
**LCH-MICA-90BL**

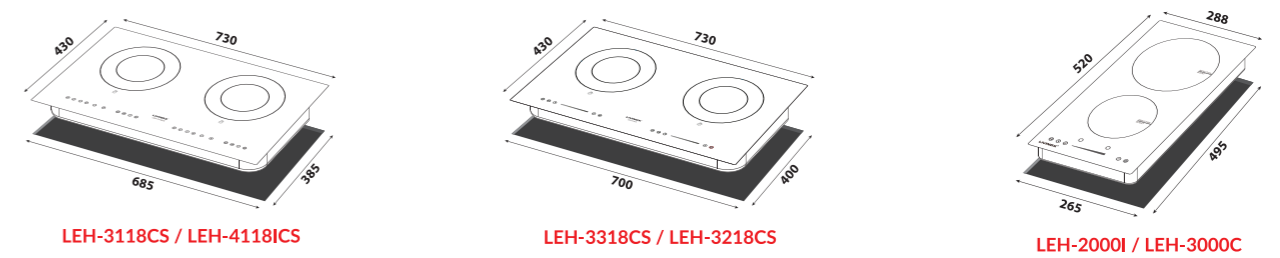
**BUILT-IN GAS HOB DIMENSION**

measurements in mm



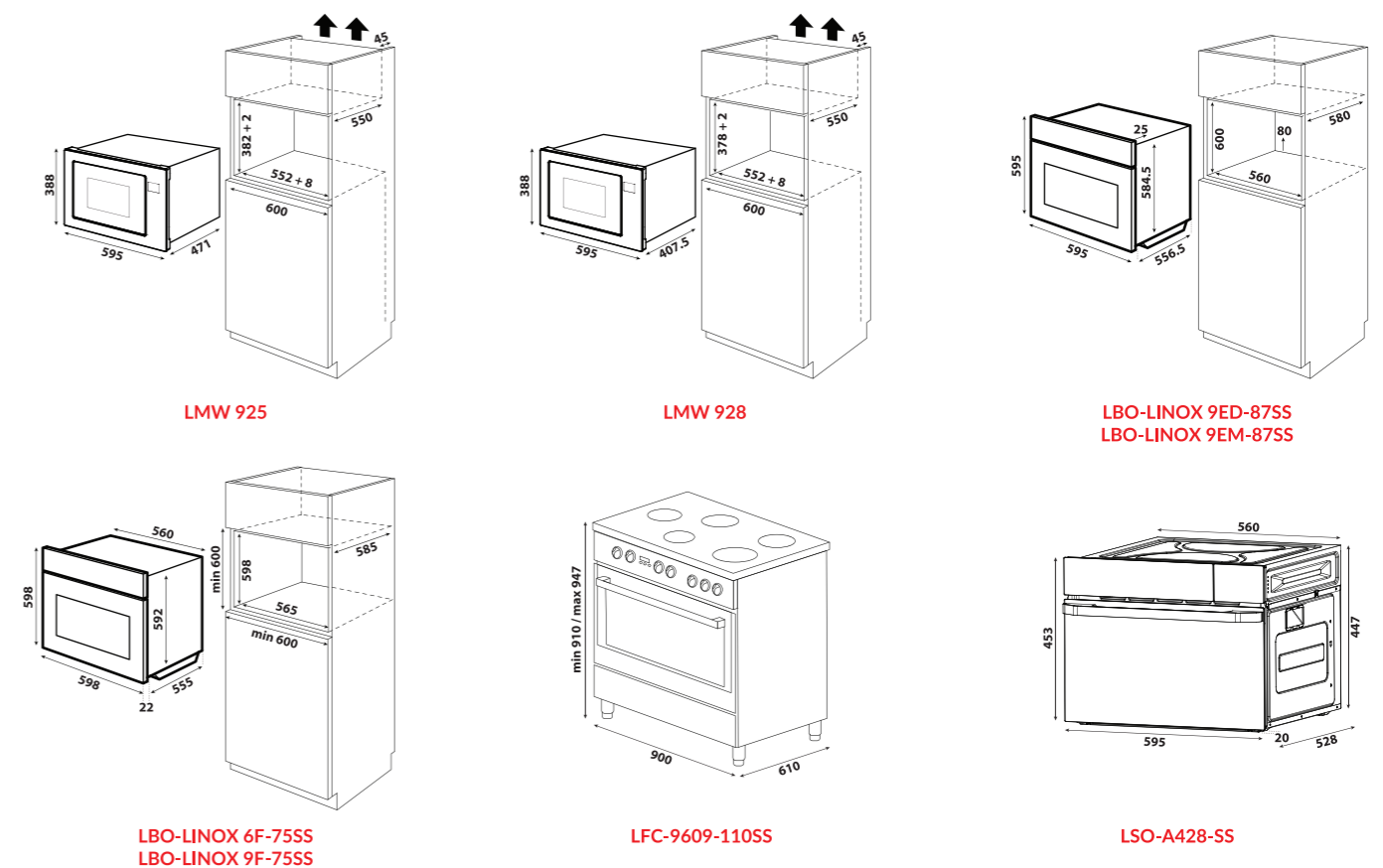
**BUILT-IN ELECTRICAL HOB DIMENSION**

measurements in mm



**BUILT-IN OVEN/MICROWAVE/STEAM OVEN DIMENSION**

measurements in mm



OUR WARRANTY



APPLY FOR HOOD MOTOR ONLY  
\*Not applicable for  
LCH601-90SS, LCH-60L03



STANDARD WARRANTY  
GENERAL PARTS COMPONENT



WARRANTY EXTENSION  
(ONLINE REGISTRATION)

**LIVINOX**<sup>®</sup>  
FOR A BETTER LIFESTYLE

Livinox Malaysia Sdn Bhd (1089457-U)  
Block B-1-29, 30 & 31, Dataran Cascades, No.13A, Jalan PJU 5, Kota Damansara  
47810 Petaling Jaya, Selangor, Malaysia.  
T 03 7611 6192 F 03 7611 6191

The products shown will be available during the promotion period. All price are subject to change without prior notice.  
Livinox Malaysia Sdn Bhd reserves the right to change to the existing terms & condition.

AUTHORIZED DEALER

