

**ALL-NEW  
MODEL**



**PLASMA HOOD & OVEN CATALOGUE**



reddot winner 2021

**RH-D3154**

**RM4,700**

- Plasma Air Purification Technology
- LED Touch Sensor Control
- Remote Control
- Decorative LED Light
- 3 Speed settings
- Booster Function
- Delay Timer
- Recirculation
- Activated Carbon Filter



**Suction Power** 650m3/h

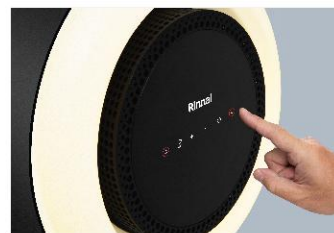
**Dimension** W410 x D410 x H590-2490 (mm)

RH-D3154-BKR (Black) RH-D3154-BLR (Blue)

RH-D3154-ORR (Orange)



Remote Control



**Sensor Touch Control**

Touch control is extremely easy to use and indicates speed, light and delay timer.



**Metal Grease Filter**

An essential component that filters out grease, smoke, and other airborne particles generated during cooking. This filter with magnet is easy to take apart and clean.

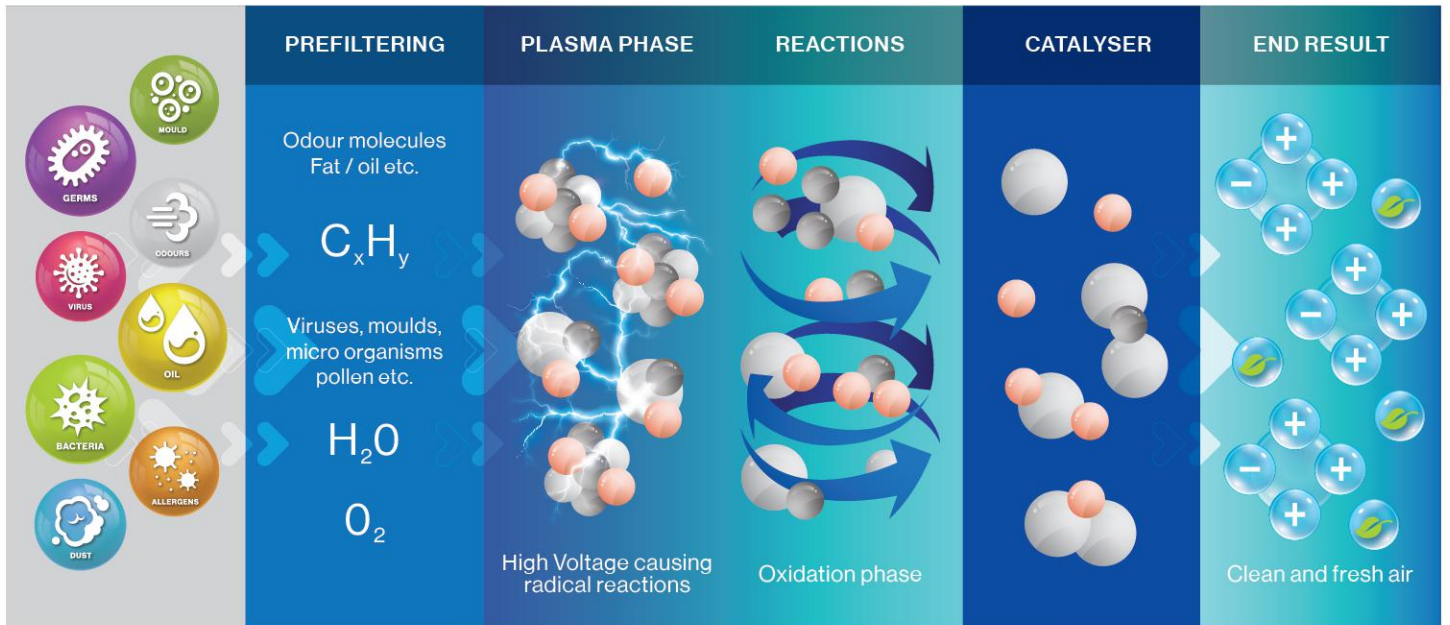


**Delay Timer**

The cooker hood will switch off automatically at a preset time, so you can proceed with your meal after cooking is done. Meanwhile, the cooker hood will continue to extract the oily fumes, leaving a clean kitchen without smoke or pungent smells.



# LEAVES YOUR KITCHEN FRESH & CLEAN



## PLASMA AIR PURIFICATION TECHNOLOGY

### Cleaner air in the kitchen

Developed from state-of-the-art R&D, Plasma air purification technology eliminates 98% of odours, fumes, allergens and pollutants, ensuring your kitchen always stays clean and fresh.

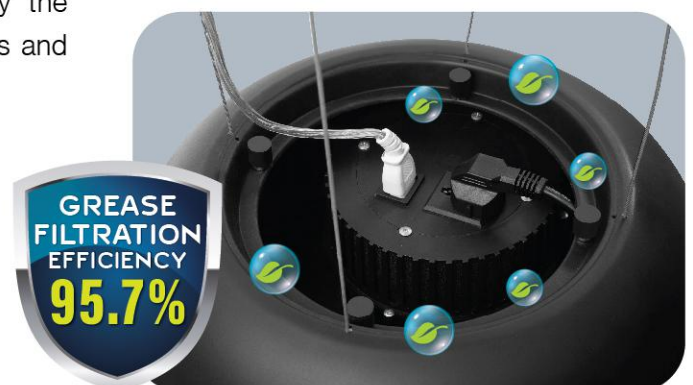
### Intelligent Purification: How it works

Plasma purification is a process that changes the molecule composition by harnessing the power of electricity. Comes with a CPU, our Plasma filter efficiently uses a minute and safe amount of electricity to generate a voltage field that electrically charges the molecules of pollutants.

These ionised fume particles are easily absorbed as they pass through the plasma filter and effectively deodorised by the activated carbon filter. Purified air flows through the vents and back into the room as clean, fresh air.

### Maintenance - Free

Thanks to the plasma filter, the cooker hood doesn't require frequent cleaning. Making it hassle-free.





PLASMA AIR PURIFICATION TECHNOLOGY

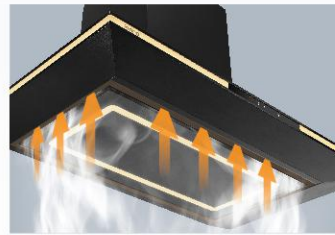
### RH-C1059-PBR

RM4,600

- Plasma Air Purification Technology
- LED Touch Sensor Control
- Decorative LED Light
- 3 Speed settings
- Booster Function
- Delay Timer
- Recirculation
- Oil Cup
- Mesh Filter



**Suction Power** 1200m3/h  
**Dimension** W898 x D500 x H550-1030 (mm)



#### Rectifier Panel

Full acceleration speeds up the extractions of smoke and grease.



#### Sensor Touch Control

Touch control is extremely easy to use and indicates speed, light and delay timer.



#### Oil Cup

The Oil Cup under the extraction motor will collect oil from the air that passes the mesh filter, suitable for Asian cooking.



### RH-S3059-PBW

RM1,082

- LED Touch Sensor Control
- Decorative LED Light
- 3 Speed settings
- Delay Timer
- Recirculation
- Ventilation
- Oil Cup
- Mesh Filter
- Charcoal Filter



**Suction Power** 580m3/h  
**Dimension** W898 x D495 x H110 (mm)



#### Dual Operation Mode

Swap the Ventilation & Recirculation mode easily.



#### Mesh Filter

Easy to take apart and clean.



#### Sensor Touch Control

Touch control is extremely easy to use and indicates speed, light and delay timer.



#### LED Light

Energy saving and long lasting LED gives out a warm, natural light.



*Fresh out from Europe  
to your kitchen*



## RO-E6533T-EB

RM7,500

- Super Size Capacity: 77lt
- 21 Functions
- 3D Circular Heating
- Rotary Knobs With Touch Control Panel
- Triple Glazed cool-to-touch Door
- Gentle Open and Close Door
- Dynamic Oven Cooling Plus (Reduce Temperature to 60°C)
- Telescopic Pull-Out Rail
- Air Fry
- Gratin
- Fast Preheat
- EcoClean Enamel
- Step Bake
- 22 Automatic Programmes
- Temperature Setting: 30°C - 300°C
- Energy Efficiency Class: A+

**Overall Dimension** W595 x D564 x H595 (mm)

**Cut-out Dimension** W560 x D550 x H585 (mm)

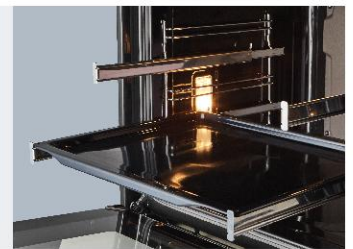


### Automatic Programmes

The oven holds 22 unique recipes to choose between numerous automatic programs. Great for beginners as well as experienced home cooks. With pre-programmed configurations for time, temperature and functions, all the user needs to do is to select their dish, its weight and press start.

### Telescopic Pull-Out Rail

Telescopic rails are the perfect assistant and partner for your oven. They help manoeuvre heavy trays with ease in and out of the oven. This way you don't have to worry about the close exposure to high heat and the risk of spilling or dropping your food.



### Gratin

Gratination process is used in the final stage of baking and will run for 10 minutes, to get a golden yellow crust on the dish. This process protects the dish from drying while giving it a nicer look and better taste.



### Simultaneous Cooking

The circular heating distributes heat evenly so that you can cook different types of food on different shelves simultaneously without worrying that the smells and tastes will be transferred from one dish onto another.



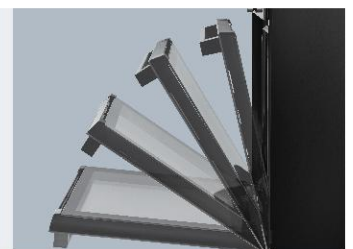
### Cool-to-Touch Triple Glazed Oven Door

The low-e glass reflects heat back into the oven, boosting safety and efficiency. It helps to keep the oven door cool while it is in use.



### Gentle Open and Close Door

The smart high quality hinge design means that opening and closing the oven door is smoother and quieter than ever.



## Functions

- 3D Hot Air
- Pizza System
- Air Fry
- Grill with Hot Air
- Turbo Bake
- Large Grill
- Top & Bottom Heater
- Gentle Bake
- Top & Bottom Heater With Fan
- Large Grill With Fan
- Large Grill & Bottom Heater
- Grill With Bottom Heater & Fan
- Oven Light

## Automatic Modes

- Frozen Bake
- Auto Pizza Mode
- Slow Bake
- Air Fry

## Extra Functions

- Aqua Clean
- Defrost
- Reheating
- Plate Warming



### RO-E6523M-EB

RM5,600

- Super Size Capacity: 77lt
- 13 Functions
- 3D Circular Heating
- Push-Pull Rotary Knobs With Touch Control Panel
- Triple Glazed cool-to-touch Door
- Gentle Open and Close Door
- Dynamic Oven Cooling Plus (Reduce Temperature to 60°C)
- Click on Pull-Out Rail x 2
- Air Fry
- Gratin
- Fast Preheat
- EcoClean Enamel
- Temperature Setting: 50 °C - 300 °C
- Energy Efficiency Class: A

<b>Overall Dimension</b>	W595 x D564 x H595 (mm)
<b>Cut-out Dimension</b>	W560 x D550 x H585 (mm)

### RO-E6513M-ES

RM4,950

- Super Size Capacity: 77lt
- 13 Functions
- 3D Circular Heating
- Push-Pull Rotary Knobs With Touch Control Panel
- Double Glazed Oven Door
- Dynamic Oven Cooling Plus (Reduce Temperature to 60°C)
- Air Fry
- Gratin
- Fast Preheat
- EcoClean Enamel
- Temperature Setting: 50°C - 300°C
- Energy Efficiency Class: A

<b>Overall Dimension</b>	W595 x D564 x H595 (mm)
<b>Cut-out Dimension</b>	W560 x D550 x H585 (mm)



**77lt Super Size Cavity**  
The 77lt extra-large cavity offers you extra space for flexible cooking. More spacious oven allows you to cook a larger quantity of food - 46cm wide baking trays.

**Fast Preheat**  
Charmingly fast, saving time and energy. The oven reaches a temperature of up to 200 °C in just 4 minutes, saving 30% of the time needed by standard preheating. A light and sound signal informs when the temperature is right.



**Air Fry**  
This method of baking gives the food a crispy crust, without added fat. It is a healthy version of "fast food" with a lower calorie content. Suitable for small cuts of meat, fish, vegetables and pre-prepared frozen products.



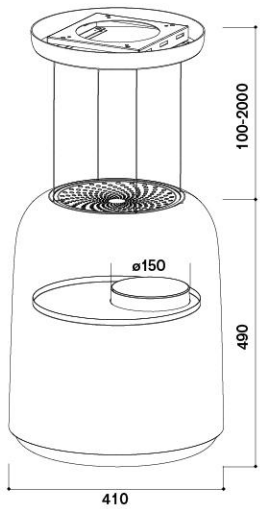
**Aqua Assisted Cleaning**  
AquaClean offers great assistance in cleaning the oven cavity. All it takes is to pour half a litre of water into a baking tray and turn AquaClean on after each baking. This function is using bottom heater at 70°C in just 30 minutes. Stains and grease are softened and can be easily wiped away.

### Functions

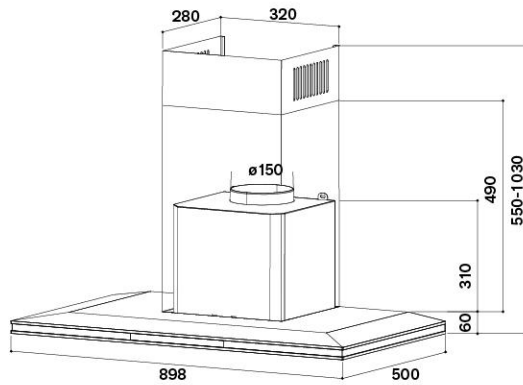
- |                              |                            |              |             |            |
|------------------------------|----------------------------|--------------|-------------|------------|
| Fast Preheat                 | Intensive Baking (Air Fry) | Large Grill  | Frozen Bake | Aqua Clean |
| Top & Bottom Heater With Fan | 3D Hot Air                 | Gentle Bake  | Defrost     |            |
| Large Grill With Fan         | Top & Bottom Heater        | Pizza System | Oven Light  |            |

Technical Diagram

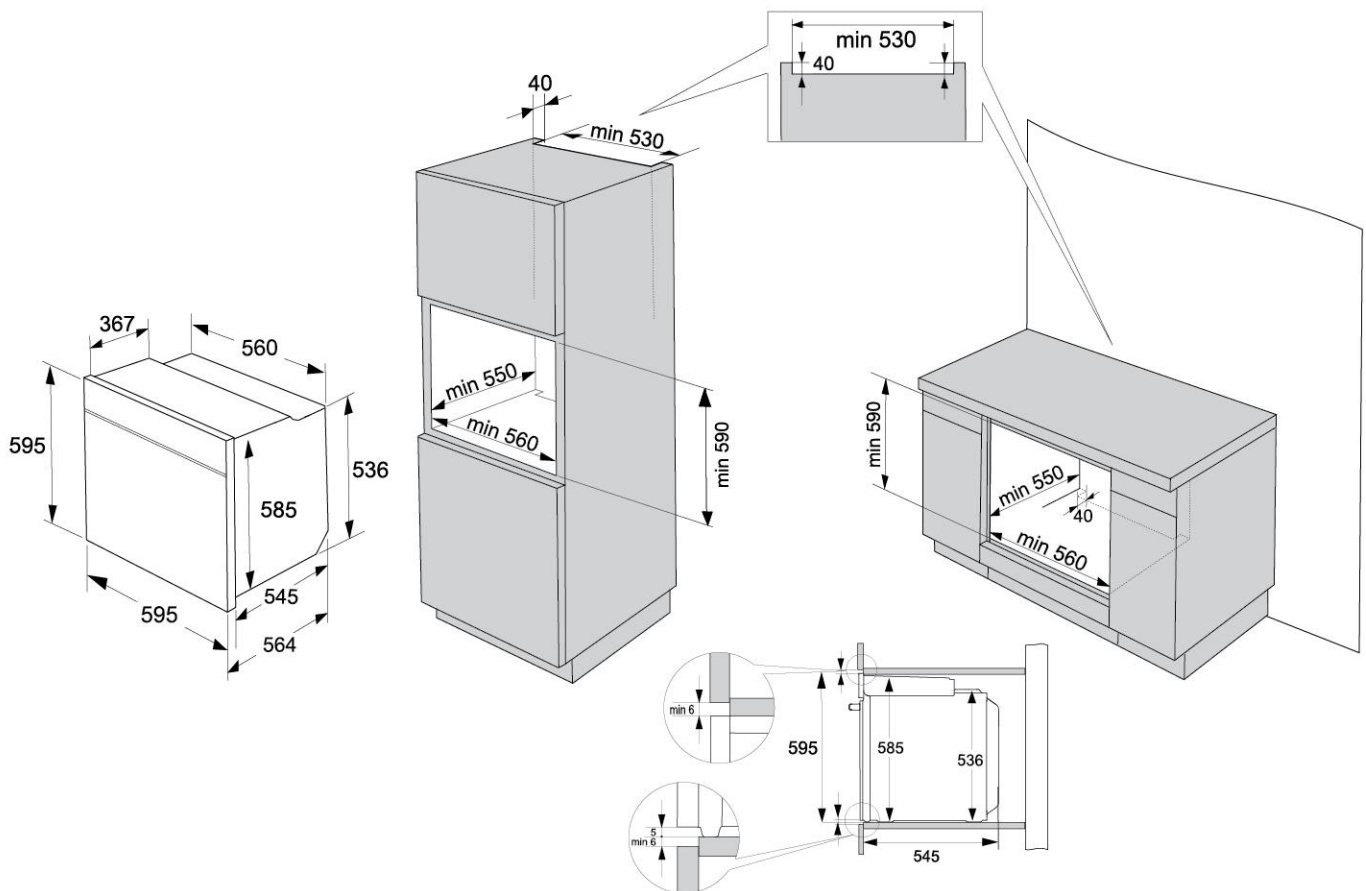
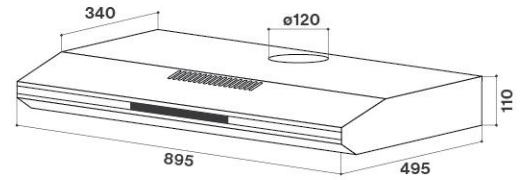
RH-D3154



RH-C1059-PBR



RH-S3059-PBW



Rinnai (Malaysia) Sdn. Bhd. (015790-A)  
 D2-3, Block D2, Pusat Dagangan Dana 1, Jalan PJU 1A/46, Ara Damansara  
 47301 Petaling Jaya, Selangor.  
 Fax: 03 7832 0036

Toll Free: 1800 88 8180



www.rinnai.com.my