

# GRANDERA

# Rubine™

ITALIA

REDEFINE THE WAY OF LIFE

## CHOICE OF THE PROFESSIONALS VERSATILE FREESTANDING COOKER



### COOKTOP WITH ITALIAN SABAF BURNER WITH FISH BURNER

Experience precision cooking with Italian SABAF Burners. The tailor-made Fish Burner (middle burner) was engineered to elevate your culinary creations to the next level.



### GRANDERA TWIN OVEN 83L & 45L CAPACITY

Allows you to cook two different dishes at different temperatures simultaneously for a large portion of food preparation for family gathering or fun party.

GRILL & COOK



ROTISSERIE & TELESCOPIC RUNNER

Rotisserie ensures the meat is evenly cooked and perfectly browned on all sides. Telescopic Runner ensures a hassle-free, smooth and safe slide out of your dishes from the oven or bastes it.

TOUCH ME!



SENSOR TOUCH CONTROL & TIMER

A user-friendly function that allows you to easily control & adjust the temperature and cooking time.

SPLASHBACK



SPLASHBACK DESIGN

To reduce cooking grease splattering to the kitchen wall.

STORAGE COMPARTMENT



**RRC-GRANDERA-618-SS**



**RRC-GRANDERA-PRO918-SS**



**RRC-GRANDERA-PRO928-SS**

**Gas Hob Features**

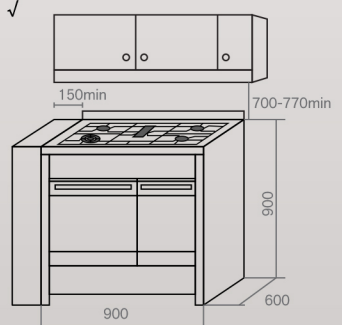
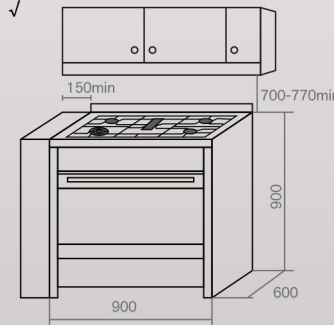
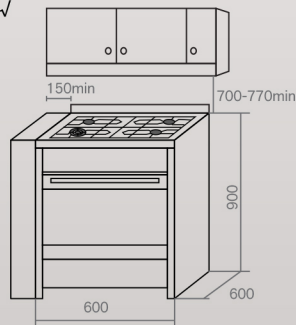
Flame Power (kW)	LR:1.75 LF:3.7 RR:1.75 RF:1.0	LR:1.75 LF:3.0 M: 3.7 RR:1.75 RF:1.0	LR:1.75 LF:3.0 M: 3.7 RR:1.75 RF:1.0
Flame Style	Straight	Straight	Straight
Surface Material	Stainless Steel	Stainless Steel	Stainless Steel
Burner Material	SABAF Burner	SABAF Burner with Fish Burner	SABAF Burner with Fish Burner
FFD Protection	✓	✓	✓
Ignition	Electric	Electric	Electric
Type of Gas	LPG	LPG	LPG
Pan Support	Cast Iron	Cast Iron	Cast Iron
Wok Stand	Cast Iron	Cast Iron	Cast Iron
Product Dimension (W x D x H mm)	600 x 600 x 900	900 x 600 x 900	900 x 600 x 900

**Oven Features**

Cooking Programme / Function	8	8	8
Capacity (L)	67L	118L	83L + 45L
Electronic Control & Display	✓	✓	✓
Oven Light	2	2	2
Time Control	✓	✓	✓
Removable Door	✓	✓	✓
Shelf Side Support	5	5	5
Cavity Material	Enamel	Enamel	Enamel
Child Lock	✓	✓	✓
Energy Efficiency	A	A	A

**Highlight Features**

Door Glass Layer	3	3	3
Telescopic Runner	✓	✓	✓
Cooling System	✓	✓	✓
Rotisserie & Turnspit	✓	✓	X
Storage Compartment	✓	✓	✓
Splash Back	✓	✓	✓



**8 Cooking Programme / Function:**

- Lamp
- Top & Bottom Heat
- Button Heat with Fan Assisted
- Top Heat
- Top Grill
- Top Grill with Fan Assisted
- Circular Heat with Fan
- Defrosting

**67L**  
Large Capacity

**SABAF**  
Burner

**118L**  
Large Capacity

**SABAF**  
Burner + Fish Burner

**83L + 45L**  
Grandera Twin Oven Capacity

**SABAF**  
Burner + Fish Burner

**Features apply to all model above:**

- Flame Power up to 3.7kW
- Electric Ignition
- Flame Failure Devices (FFD) Protection
- 8 Functions
- Sensor Touch
- Timer
- Telescopic Runner
- Rotisserie & Turnspit
- Quality 3-Layers Glass Door
- A-Class Energy Efficiency
- Child Lock
- 5 Shelves
- Cooling System
- Splashback Design



**18 MONTHS OF STANDARD WARRANTY**  
APPLY FOR ALL PRODUCTS EXCLUDING ACCESSORIES.



**1 YEAR OF WARRANTY EXTENSION**  
REGISTER ONLINE NOW AND GET 1 YEAR WARRANTY EXTENSION !

