

Rubine™  
ITALIA

REDEFINE THE WAY OF LIFE

CATALOGUE 2024 V.2

CULINARY EXPERIENCE  
REDEFINED

*Avant-Garde* SERIES

# TITAN

NEW

## Modernize Your Kitchen with Our Cutting-Edge & Revolutionary T-Hood

With its functional and contemporary aesthetics, **TITAN** complements perfectly with your kitchen space. Embrace its exceptional features, positioning as "The Pinnacle of Futuristic Cooker Hood", combining both Titanium Grey finishing and Champagne Gold embellishment.





### BLDC MOTOR

- Efficient** - High Power Density and Energy-Saving
- Quiet** - Noise level as low as 48dB
- Powerful** - High Static Pressure up to 1,050Pa



### I-LINK FUNCTION

Intelligence linkage between cooker hood & gas hob. The cooker hood is seamlessly activated when the gas hob is switched on.



### TITAN SUCTION PLATE

The innovative & stunningly designed suction plate comes with NanoGarde Protection for effortless removal of smoke & grease.

## RCH-TITAN-TG

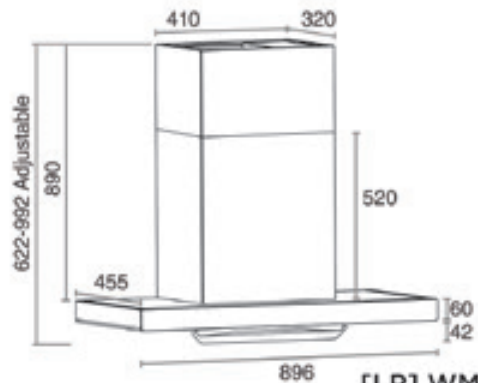
### Features

- T-Hood
- 1,950 m<sup>3</sup>/hr Suction Power
- Sensor Touch Control Panel
- 2 + 1 (X-Boost) Extraction Speed
- Oil Cup / Trap (outer)
- Charcoal Filter
- 1 (LED) Lamp
- Delay Timer

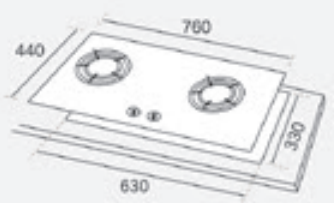
### Technical Info

Product Dimension (mm)  
896 W x 455 D x 622 - 992 H

<b>BLDC Motor</b>	1950m <sup>3</sup> /hr Suction Power	2+1 Extraction Speed
1 (LED) Lamp	Recirculating	Titanium Grey
NanoGarde	H'Meltz (Heating Pad)	I-Link
Air Exchange	Smart Motion Sensor	X-Boost
Titan Suction Plate	DC-18 Ducting	



[LP] WM : RM 2,730  
EM : RM 2,890



## RGH-CALDO2B-BL

### Features

- L:5.2 R:5.2 Flame Power (kW)
- Vortex / Twister Flame Style
- Tempered Glass Surface
- SS + Brass Burner
- FFD Protection
- Battery Ignition
- LPG Gas
- Cast Iron Pan Support
- Wok Stand

### Technical Info

Product Dimension (mm): 760 W x 440 D  
Cut-out Dimension (mm): 630 W x 330 D

5.2kW Flame Power	Flame Failure Device (FFD) Protection	Battery Ignition	Vortex Flame Style	Pan Support With Wind Barbecue
-------------------	---------------------------------------	------------------	--------------------	--------------------------------

[LP] WM : RM 830  
EM : RM 880

**2 ITEMS NOW**  
WM : **RM 3,198**  
EM : **RM 3,398**



KITCHEN HOOD

*Avant-Garde* SERIES

**ARTESAN**

NEW

Trendsetting  
Outlook Fused  
with  
State-of-the-Art  
Technologies

Unleash your creativity and enliven a lavish lifestyle with the **ARTESAN** cooker hood. Admire its captivating charms with this new Panello Hood - **ARTESAN**.



MODERN, CAPTIVATING CHARMS  
**PANELLO HOOD**





### NANO GARDE TECHNOLOGY

- Nano Protection
- Easy Maintenance
- Fingerprint Resistance
- Wipe off stubborn oil & grease with ease



### TITANIUM GREY BODY WITH BLACK GLASS PANEL



### CHAMPAGNE GOLD CONTROL PANEL WITH HIGH-TECH FEATURES AND SMART MOTION SENSOR

## RCH-ARTESAN-TG

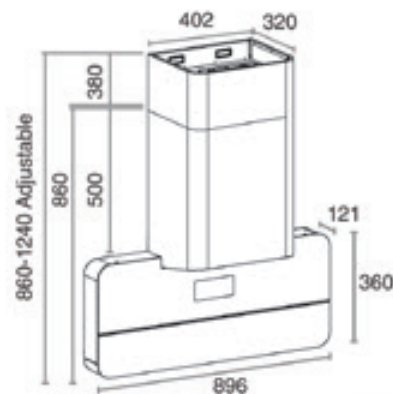
### Features

- Pannelo Hood
- 2,050 m<sup>3</sup>/hr Suction Power
- 48dB Low Noise Level
- 1,100Pa High Static Pressure
- Sensor Touch Control Panel
- 2 + 1 (X-Boost) Extraction Speed
- Oil Cup / Trap (outer)
- 1 (LED) Lamp
- Delay Timer

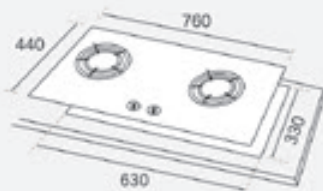
### Technical Info

#### Product Dimension (mm)

896 W x 320 D x 860 - 1240 H



[LP] WM : RM 3,820  
EM : RM4,050



## RGH-CALDO2B-BL

### Features

- L:5.2 R:5.2 Flame Power (kW)
- Vortex / Twister Flame Style
- Tempered Glass Surface
- SS + Brass Burner
- FFD Protection
- Battery Ignition
- LPG Gas
- Cast Iron Pan Support
- Wok Stand

### Technical Info

Product Dimension (mm): 760 W x 440 D

Cut-out Dimension (mm): 630 W x 330 D



[LP] WM : RM 830  
EM : RM 880

2 ITEMS NOW

WM : **RM 4,178**  
EM : **RM 4,448**

OFFER APPLY TO AVANT-GARDE SERIES

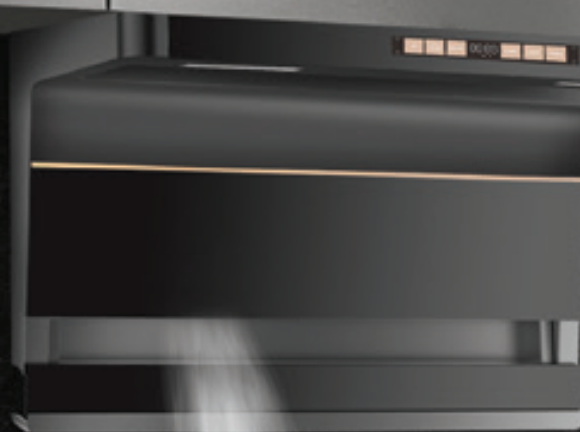
*Avant-Garde* SERIES

**ROSSETA**

NEW

Sleek *Incassato*  
Design with  
Intelligent  
Functions -  
A Touch of  
L-Shaped Brilliance  
with Strong  
Extraction Power

Discover the new Avant-Garde hood - **ROSSETA**. Enjoy a grease-free kitchen with its auto-lifting quick extraction chamber for enhanced practicality and smart controls explicitly tailored to various cooking needs with silent operation.



Rubino

● **BLDC MOTOR**

Efficient - High Power Density and Energy-Saving

Quiet - Noise level as low as 48dB

Powerful - High Static Pressure up to 1,050Pa







### AUTO-LIFTING QUICK EXTRACTION CHAMBER

The auto-lifting quick extraction chamber will drop down to clear smoke & grease while cooking and elegantly close when idle.



### H<sup>2</sup>MELTZ TECHNOLOGY

Activate for 10 minutes to melt stubborn grease at 80°C. Cut Down 80% Cleaning Time.



### AIR EXCHANGE

Removal of residual smoke & odour in a 3-Cycle Mode within 1 hour to restore fresh air automatically.

## RCH-ROSSETA-TG

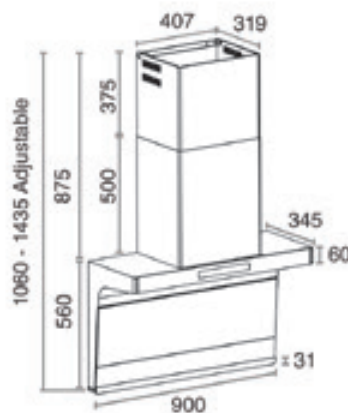
### Features

- L-Hood
- 2,200 m<sup>3</sup>/hr Suction Power
- Sensor Touch Control Panel
- 2 + 1 (X-Boost) Extraction Speed
- Oil Cup / Trap
- Charcoal Filter
- 2 (LED) Lamp
- Delay Timer

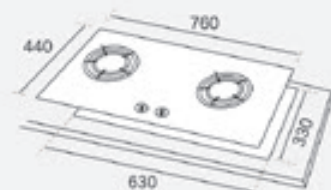
### Technical Info

#### Product Dimension (mm)

900 W x 345 D x 1060 - 1435 H



[LP] WM : RM3,500  
EM : RM 3,710



## RGH-CALDO2B-BL

### Features

- L:5.2 R:5.2 Flame Power (kW)
- Vortex / Twister Flame Style
- Tempered Glass Surface
- SS + Brass Burner
- FFD Protection
- Battery Ignition
- LPG Gas
- Cast Iron Pan Support
- Wok Stand

### Technical Info

Product Dimension (mm): 760 W x 440 D

Cut-out Dimension (mm): 630 W x 330 D



[LP] WM : RM 830  
EM : RM 880

2 ITEMS NOW

WM : **RM 3,898**  
EM : **RM 4,138**

OFFER APPLY TO AVANT-GARDE SERIES



Cool-Breeze SERIES

MEERA



Powerful  
Performance.  
Twin-Motor,  
Double Delights!

Unleash the power of twin-motor for superior performance - experience double efficiency & delights in every cooking moment.



INTUITIVE  
GRAPHICAL DISPLAY PANEL





### TWIN-MOTOR

Customize your cooking experience with wider suction coverage. You can operate each motor individually to perfectly suit your culinary needs.



### COOL-BREEZE

- Breeze-up your cooking experience**
- Feel the cool-breeze with just a touch
- Improve Comfort**
- Provide a soothing breeze and a comfortable cooking environment



### NANOGARDE TECHNOLOGY

- Nano Protection
- Easy Maintenance
- Fingerprint Resistance
- Wipe off stubborn oil & grease with ease

# RCH-MEERA-BL

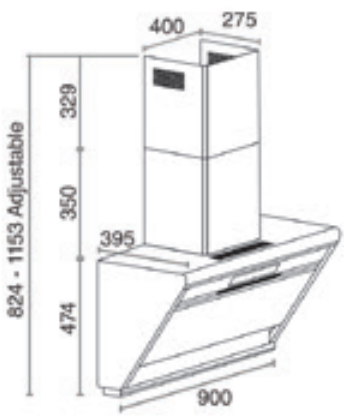
## Features

- Slanted Hood
- 2,200 m<sup>3</sup>/hr Suction Power
- Sensor Touch Control Panel
- 2 + 1 (X-Boost) Extraction Speed
- Oil Cup / Trap (outer)
- Charcoal Filter
- 2 (LED) Lamp
- Delay Timer

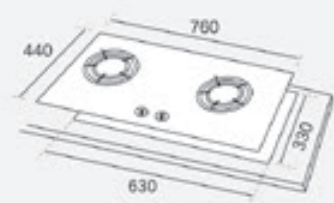
## Technical Info

Product Dimension (mm)  
900 W x 395 D x 824 - 1153 H

	<b>Twin-Motor</b>		2200m <sup>3</sup> /hr Suction Power		2+1 Extraction Speed
	2 (LED) Lamp		Recirculating		Cool-Breeze
	H-Meltz (Heating Pad)		I-Link		Air Exchange
	Smart Motion Sensor		Ion-Balancer		X-Boost
	NanoGarde		DC-18 Ducting		



[LP] WM : RM3,060  
EM : RM3,240



# RGH-CALDO2B-BL

## Features

- L:5.2 R:5.2 Flame Power (kW)
- Vortex / Twister Flame Style
- Tempered Glass Surface
- SS + Brass Burner
- FFD Protection
- Battery Ignition
- LPG Gas
- Cast Iron Pan Support
- Wok Stand

## Technical Info

Product Dimension (mm): 760 W x 440 D  
Cut-out Dimension (mm): 630 W x 330 D

	5.2kW Flame Power		Flame Failure Device (FFD) Protection		Battery Ignition		Vortex Flame Style		Pan Support With Wind Barbecue
--	-------------------	--	---------------------------------------	--	------------------	--	--------------------	--	--------------------------------

[LP] WM : RM 830  
EM : RM 880

**2 ITEMS NOW**  
WM : **RM 3,498**  
EM : **RM 3,718**



KITCHEN HOOD

*Cool-Breeze* SERIES

**LUSTRO**

NEW

## Redefine Urban Kitchens with Sleek, Contemporary & Efficient Pannelo Hood

Contemporary & highly efficient, a perfect match  
for urban kitchens. Redefining cooking space  
with modern flairs.





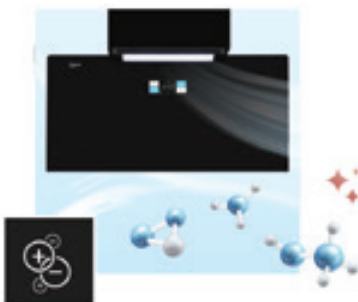


### BLDC MOTOR

**Efficient** - High Power Density and Energy-Saving  
**Quiet** - Noise level as low as 48dB  
**Powerful** - High Static Pressure up to 1,100Pa



### CASSETTE CHARCOAL FILTER FOR INTERNAL RECIRCULATION



### ION-BALANCER

Anions are produced to balance static charges from pollutants. This will eliminate odours and sanitise the air.

## RCH-LUSTRO-BL

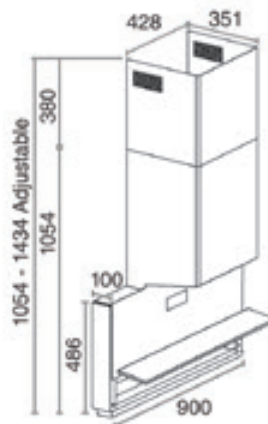
### Features

- Pannelo Hood
- 2,050 m<sup>3</sup>/hr Suction Power
- Sensor Touch Control Panel
- 2 + 1 (X-Boost) Extraction Speed
- Oil Cup / Trap (outer)
- Charcoal Filter
- 1 (LED) Lamp
- Delay Timer

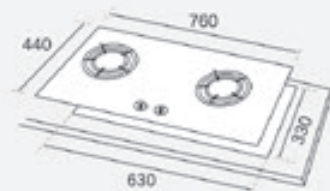
### Technical Info

#### Product Dimension (mm)

900 W x 351 D x 1054 - 1434 H



[LP] WM : RM 3,680  
EM : RM 3,900



## RGH-CALDO2B-BL

### Features

- L:5.2 R:5.2 Flame Power (kW)
- Vortex / Twister Flame Style
- Tempered Glass Surface
- SS + Brass Burner
- FFD Protection
- Battery Ignition
- LPG Gas
- Cast Iron Pan Support
- Wok Stand

### Technical Info

Product Dimension (mm): 760 W x 440 D  
 Cut-out Dimension (mm): 630 W x 330 D



[LP] WM : RM 830  
EM : RM 880

2 ITEMS NOW  
**WM : RM 4,058**  
**EM : RM 4,308**

OFFER APPLY TO COOL-BREEZE SERIES

KITCHEN HOOD

*Cool-Breeze* SERIES

*CASSERA*

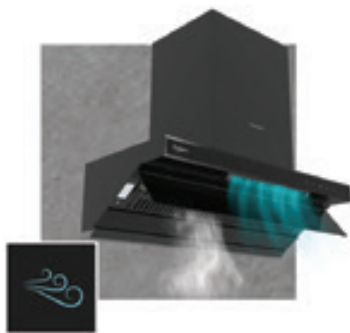
NEW

Compact Slanted  
Hood with  
Cool-Breeze  
Technology

Compact and alluring design to fit your kitchen  
splendidly to provide a soothing and comfortable  
cooking environment.







### COOL-BREEZE TECHNOLOGY

Cool-Breeze blowing from the upper chamber provides you with a soothing and comfortable cooking environment.



### BEVELED GLASS PANEL

Beveled glass panel brings modernity to your kitchen.



### SMART MOTION SENSOR

With a wave of your palm, you can turn ON the X-Boost mode and alter the extraction speeds.

## RCH-CASSERA-90BL

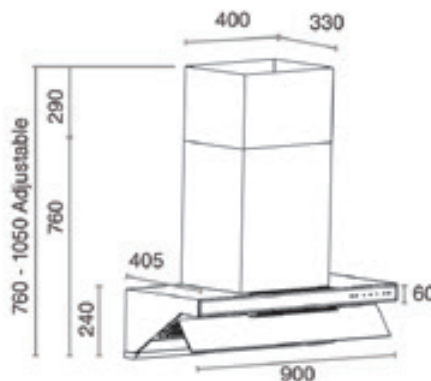
### Features

- Compact Slanted Hood
- 1,650 m<sup>3</sup>/hr Suction Power
- Sensor Touch Control Panel
- 2 + 1 (X-Boost) Extraction Speed
- Ergonomic Baffle Oil Filter
- Oil Cup / Trap (outer)
- Charcoal Filter
- 2 (LED) Lamp
- Delay Timer

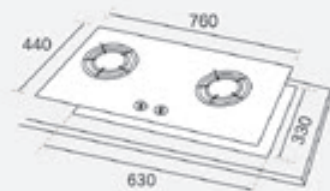
### Technical Info

#### Product Dimension (mm)

900 W x 405 D x 760 - 1050 H



[LP] WM : RM 2,820  
EM : RM2,990



## RGH-CALDO2B-BL

### Features

- L:5.2 R:5.2 Flame Power (kW)
- Vortex / Twister Flame Style
- Tempered Glass Surface
- SS + Brass Burner
- FFD Protection
- Battery Ignition
- LPG Gas
- Cast Iron Pan Support
- Wok Stand

### Technical Info

Product Dimension (mm): 760 W x 440 D

Cut-out Dimension (mm): 630 W x 330 D



[LP] WM : RM 830  
EM : RM 880

2 ITEMS NOW  
WM : RM 3,288  
EM : RM 3,488

OFFER APPLY TO COOL-BREEZE SERIES



# NEORA



Minimalist and Premium Matte Black Cooker Hood



### H<sup>2</sup>MELTZ TECHNOLOGY + X-BOOST

Activate for 10 minutes to melt stubborn grease at 80°C. Cut down 80% cleaning time.



### QUICK EXTRACTION

The perfect position of the extraction chamber provides powerful suction that absorbs smoke, grease & odour quickly while you cook.



### SENSOR TOUCH CONTROL

## RCH-NEORA-90BL

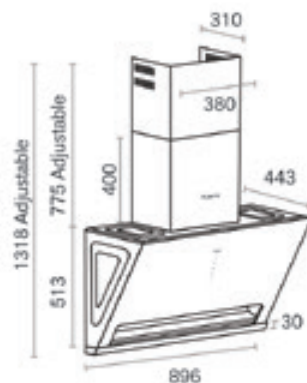
### Features

- Slanted Hood
- 1,600 m<sup>3</sup>/hr Suction Power
- Sensor Touch Control Panel
- 2 + 1 (X-Boost) Extraction Speed
- Ergonomic Baffle Oil Filter
- Oil Cup/ Trap (outer)
- Charcoal Filter
- 2 (LED) Lamp
- Delay Timer

### Technical Info

Product Dimension (mm)  
896 W x 443 D x 943 - 1318 H

[LP] WM : RM 1,780  
EM : RM 1,890



1600 m <sup>3</sup> /hr Suction Power	2+1 Extraction Speed	2 (LED) Lamp
Recirculating	H <sup>2</sup> Meltz (Heating Pad)	X-Boost
Quick Extraction	Sensor Touch Control	DC-18 Ducting



### RGH-CALDO2B-BL

[LP] WM : RM 830  
EM : RM 880

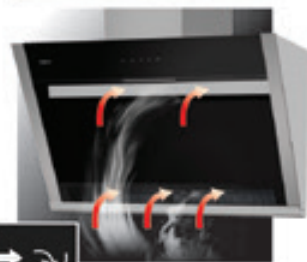
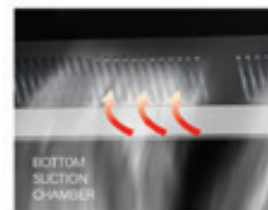
2 ITEMS NOW

WM : **RM 2,348**  
EM : **RM 2,498**

# ASPIRA



Excellent Extraction Capacity with Dual-Suction Chamber Technology



## DUAL-SUCTION

Dual-Suction chamber for excellent & complete extraction.



## SMART MOTION SENSOR

With a wave of your palm, you can turn ON/OFF the hood without having to touch the control panel.

## RCH-ASPIRA-90SS

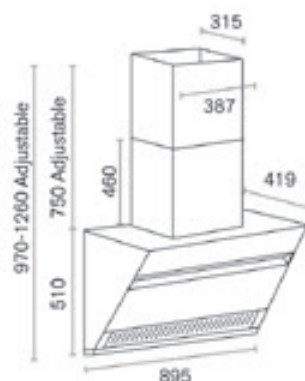
### Features

- Slanted Hood
- 1,500 m<sup>3</sup>/hr Suction Power
- Sensor Touch Control Panel
- 2 + 1 (X-Boost) Extraction Speed
- Ergonomic Baffle Oil Filter
- Oil Cup/ Trap (outer)
- Charcoal Filter
- 1 (LED) Lamp
- Delay Timer

### Technical Info

Product Dimension (mm)  
895 W x 419 D x 970-1260 H

[LP] WM : RM2,000  
EM : RM 2,120



	1500m <sup>3</sup> /hr Suction Power		2+1 Extraction Speed		1 (LED) Lamp
	Recirculating		X-Boost		Smart Motion Sensor
	Dual-Suction		DC-18 Ducting		



## RGH-CALDO2B-BL

[LP] WM : RM 830  
EM : RM 880

2 ITEMS NOW

WM : RM 2,548  
EM : RM 2,708

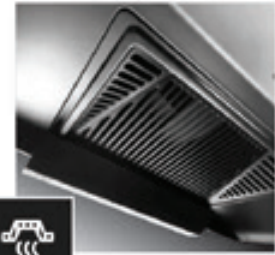


**NEW** KITCHEN HOOD

# MONZA X



**The Rebirth of An Icon:**  
Unveiling the New MONZA X



## CONCAVE SUCTION CHAMBER

For a better smoke extraction coverage.



## SMART MOTION SENSOR & X-BOOST

With a wave of your palm, you can turn ON/OFF the hood without having to touch the control panel.



MODERN & MINIMALIST DESIGN

## REDISCOVER NEW ELEGANCE WITH PREMIUM BLACK OUTLOOK

## RCH-MONZA X-BL

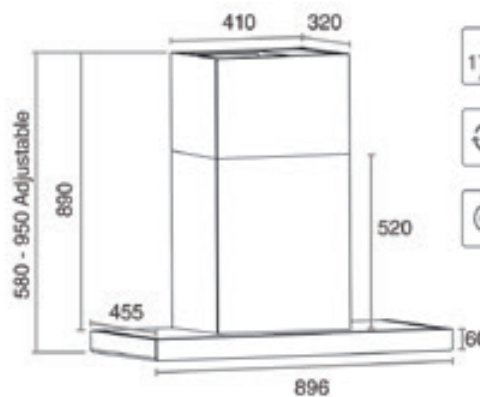
### Features

- T - Hood
- 1,700 m<sup>3</sup>/hr Suction Power
- Sensor Touch Control Panel
- 2 + 1 (X-Boost) Extraction Speed
- Concave Oil Filter
- Oil Cup / Trap (outer)
- Charcoal Filter
- 1 (LED) Lamp
- Delay Timer

### Technical Info

Product Dimension (mm)  
896 W x 455 D x 580 - 950 H

[LP] WM : RM 1,830  
EM : RM 1,940



- |                                       |                       |               |
|---------------------------------------|-----------------------|---------------|
| 1700 m <sup>3</sup> /hr Suction Power | 2+1 Extraction Speed  | 1 (LED) Lamp  |
| Recirculating                         | H/Meltz (Heating Pad) | X-Boost       |
| Smart Motion Sensor                   | Concave Filter        | DC-18 Ducting |



## RGH-CALDO2B-BL

[LP] WM : RM 830  
EM : RM 880

2 ITEMS NOW

WM : **RM 2,388**  
EM : **RM 2,548**

NEW

# MARK X



Experience the New MARK X  
Where Modern Advancements  
Bond with Simplified Maintenance

## RCH-MARK X-BL

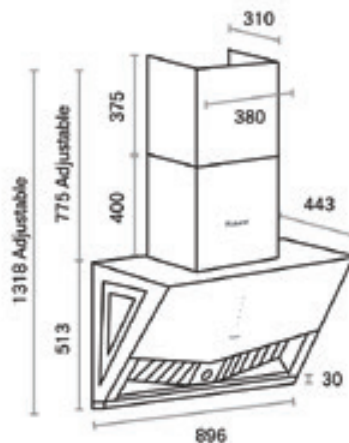
### Features

- Slanted Hood
- 1,500 m<sup>3</sup>/hr Suction Power
- Sensor Touch Control Panel
- 2 +1 (X-Boost) Extraction Speed
- Ergonomic Baffle Oil Filter
- Oil Cup / Trap (outer)
- Charcoal Filter
- 1 (LED) Lamp
- Delay Timer

### Technical Info

Product Dimension (mm)  
896 W x 443 D x 943 - 1318 H

[LP] WM : RM 1,600  
EM : RM 1,700



- |  |                                      |  |                              |  |                                    |
|--|--------------------------------------|--|------------------------------|--|------------------------------------|
|  | 1500m <sup>3</sup> /hr Suction Power |  | 2+1 Extraction Speed         |  | 1 (LED) Lamp                       |
|  | Dual-Step LED                        |  | Recirculating                |  | H <sup>2</sup> Meltz (Heating Pad) |
|  | X-Boost                              |  | Easy Removeable Filter Plate |  | Quick Extraction                   |
|  | DC-18 Ducting                        |  |                              |  |                                    |



## RGH-VISTA2B-BL

[LP] WM : RM 780  
EM : RM 830

2 ITEMS NOW

WM : RM 2,148  
EM : RM 2,278



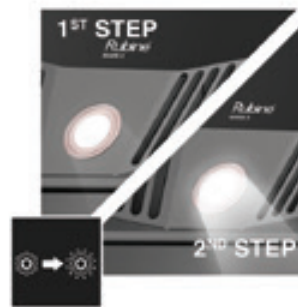
### H<sup>2</sup>MELTZ TECHNOLOGY

Activate for 10 minutes to melt stubborn grease at 80°C. Cut down 80% cleaning time.



### EASY MAGNETIC BAFFLE PLATE

Easily detachable to save time for regular maintenance and cleaning.



### DUAL-STEP LED LAMP

Added convenience and better lighting for cooking activities in the kitchen.

KITCHEN HOOD  
TITAN  
ARTESAN  
ROSSETA  
MIBRA  
LUSTRO  
CASSERA  
REORA  
ASPIRA  
MONZA X  
MARK X  
SIROCCO XR  
THORA  
ROXANE XR



**NEW** KITCHEN HOOD

# SIROCCO XR

Premium Matte Black Finish



Enjoy Smoke-Free Quick Extraction Performance with 350 Incassato Design



## H<sup>2</sup>MELTZ TECHNOLOGY

Activate for 10 minutes to melt stubborn grease at 80°C. Cut down 80% cleaning time.



## 350 INCASSATO

Control Panel of the hood can now be perfectly in-line with the kitchen cabinet.



## OIL-FREE WALL

The design of the cooker hood covers your wall. Hence oil that would otherwise end up on your wall would flow into the designated oil cup.

## RCH-SIROCCO XR-BL

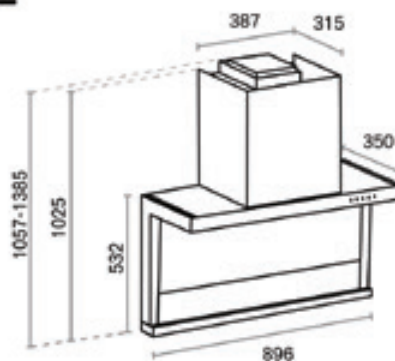
### Features

- L - Hood
- 1,800 m<sup>3</sup>/hr Suction Power
- Sensor Touch Control Panel
- 2 + 1 (X-boost) Extraction Speed
- Oil Cup / Trap (outer)
- Charcoal Filter
- 2 (LED) Lamp
- Delay Timer

### Technical Info

Product Dimension (mm)  
896 W x 350 D x 1057 - 1385 H

[LP] WM : RM 2,820  
EM : RM 2,990



- |  |                                      |  |                      |  |                         |
|--|--------------------------------------|--|----------------------|--|-------------------------|
|  | 1800m <sup>3</sup> /hr Suction Power |  | 2+1 Extraction Speed |  | 2 (LED) Lamp            |
|  | Recirculating                        |  | Quick Extraction     |  | DC-18 Ducting           |
|  | X-Boost                              |  | Smart Motion Sensor  |  | Invisible Control Panel |
|  | Easy Maintenance                     |  | Air Exchange         |  | 350 Incassato           |
|  | H <sup>2</sup> Meltz (Heating Pad)   |  |                      |  |                         |



## RGH-VISTA2B-BL

[LP] WM : RM 780  
EM : RM 830

2 ITEMS NOW

WM : RM 3,238  
EM : RM 3,428

# THORA



Innovative Hybrid Filter  
Makes Cooking & Cleaning  
A Fuss-Free Experience

## RCH-THORA-SS

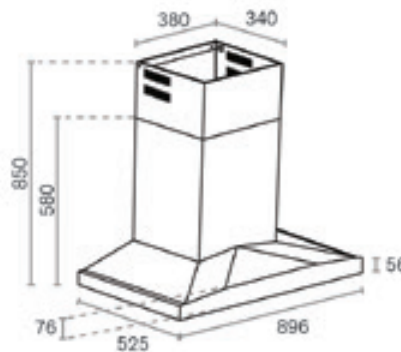
### Features

- Pyramid T - Hood
- 1,500 m<sup>3</sup>/hr Suction Power
- Sensor Touch Control Panel
- 2+1 (X-boost) Extraction Speed
- Hybrid (Patented) Oil Filter
- Oil Cup / Trap (outer)
- Charcoal Filter
- 2 (LED) Lamp
- Delay Timer

### Technical Info

Product Dimension (mm)  
896 W x 525 D x 580 - 850 H

[LP] WM : RM 2,760  
EM : RM 2,930



## RGH-VISTA2B-BL

[LP] WM : RM 780  
EM : RM 830

2 ITEMS NOW

WM : **RM 3,188**  
EM : **RM 3,378**



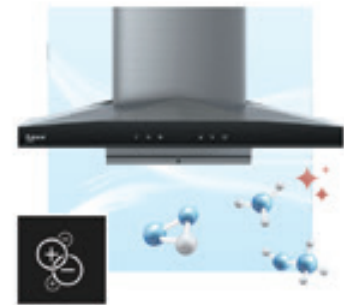
## 95% HYBRID FILTRATION SYSTEM

The whole new innovative Hybrid Filter is paired with a flat plate and baffle filter. The design is created to channel the surrounding air pressure from the flat plate towards the baffle filter area for faster and more efficient extraction and oil filtration.



## H<sup>2</sup>MELTZ TECHNOLOGY

Activate for 10 minutes to melt stubborn grease at 80°C. Cut down 80% cleaning time.



## ION-BALANCER

Anions are produced to balance static charges from pollutants. This will eliminate odours and sanitise the air.

	1500m <sup>3</sup> /hr Suction Power		2+1 Extraction Speed		2 (LED) Lamp
	Recirculating		DC-18 Ducting		X-Boost
	H <sup>2</sup> Meltz (Heating Pad)		Ion-Balancer		Patented Hybrid Filter

KITCHEN HOOD  
TITAN  
ROSETTA  
MIBRA  
LUSTRO  
CASSERA  
REORA  
ASPIRA  
MONZA X  
MARIX  
THORA  
SIRROCCO XR  
MIRIA  
ROXANE XR



**NEW** KITCHEN HOOD

# BOXLINE XR



**An Essential & Dependable Companion,**  
where Simplicity Meets Productivity

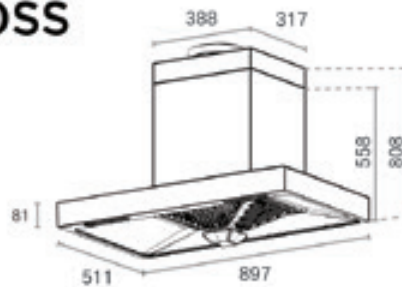
## RCH-BOXLINE XR-90SS

### Features

- T - Hood
- 1,600 m<sup>3</sup>/hr Suction Power
- Sensor Touch Control Panel
- 2 + 1 (X-Boost) Extraction Speed
- Pyramidal Oil Filter
- Oil Cup / Trap (outer)
- Charcoal Filter
- 2 (LED) Lamp
- Delay Timer

### Technical Info

Product Dimension (mm)  
897 W x 511 D x 558 - 808 H  
[LP] WM : RM 1,720  
EM : RM 1,820



	1600m <sup>3</sup> /hr Suction Power		2+1 Extraction Speed		2 (LED) Lamp
	Recirculating		DC-18 Ducting		X-Boost
	Beveled Glass Panel		Invisible Control Panel		Easy Maintenance
	Smart Motion Sensor		H <sup>2</sup> Meltz (Heating Pad)		



### H<sup>2</sup>MELTZ TECHNOLOGY

Activate for 10 minutes to melt stubborn grease at 80°C. Cut down 80% cleaning time.

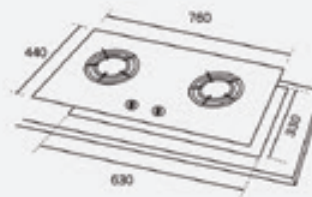


### SMART MOTION SENSOR & X-BOOST

With a wave of your palm, you can turn ON/OFF the hood without having to touch the control panel.



### EASY MAINTENANCE



## RGH-VISTA2B-BL

- Features**
- L:5.0 R:5.0 Flame Power (kW)
  - Vortex / Twister Flame Style
  - Tempered Glass Surface
  - Stainless Steel + Brass Burner
  - FFD Protection
  - Battery Ignition
  - LPG Gas
  - Cast Iron Pan Support
  - Wok Stand

**Technical Info**  
Product Dimension (mm): 760 W x 440 D  
Cut-out Dimension (mm): 630 W x 330 D

- 
- 
- 
- 

[LP] WM : RM 780  
EM : RM 830

**2 ITEMS NOW**  
WM : RM 2,248  
EM : RM 2,378

# MARIA



Less Cleaning Work,  
More Cooking Time

## RCH-MARIA-SS

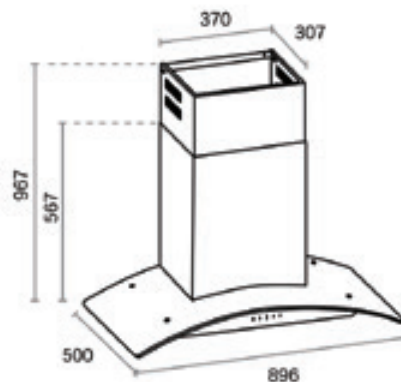
### Features

- Arch-Glass
- 1,200 m<sup>3</sup>/hr Suction Power
- Sensor Touch Control Panel
- 3 Extraction Speed
- Pyramidal Oil Filter
- Oil Cup / Trap (outer)
- Charcoal Filter
- 2 (LED) Lamp
- Delay Timer

### Technical Info

Product Dimension (mm)  
896 W x 500 D x 567 - 967 H

[LP] WM : RM 1,760  
EM : RM 1,870



1200m<sup>3</sup>/hr  
Suction  
Power



3  
Extraction  
Speed



2 (LED)  
Lamp



Recirculating



DC-12  
Ducting



H<sup>2</sup>Meltz  
(Heating Pad)



### H<sup>2</sup>MELTZ TECHNOLOGY

Activate for 10 minutes to melt stubborn grease at 80°C. Cut down 80% cleaning time.



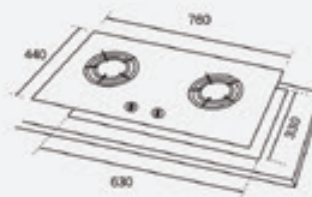
### EASY MAINTENANCE

It is maintenance-friendly and easier to clean the fan blade and motor as the panel that heats up to 80°C reduces the amount of oil collecting on the oil cup.



### ARCH-GLASS DESIGN

The Arc-Shaped hood and stainless steel filter achieves high oil-filtration and odour-reduction. It also improves air quality while protecting walls and surface against discoloration and damage.



## RGH-BRAVA2B-BL

Features  
Technical Info

- L:4.5 R:4.5 Flame Power (kW)
- Vortex / Twister Flame Style
- Tempered Glass Surface
- Stainless Steel + Brass Burner
- FFD Protection
- Battery Ignition
- LPG Gas
- Cast Iron Pan Support
- Wok Stand

Product Dimension (mm): 760 W x 440 D  
Cut-out Dimension (mm): 630 W x 330 D

2 ITEMS NOW

[LP] WM : RM 750  
EM : RM 800

WM : RM 2,258  
EM : RM 2,398





KITCHEN HOOD

*Avant-Garde* SERIES

**ARTESAN**



## MAINTENANCE TIPS

### 1 SURFACE CLEANING

By using soft cloth & non-abrasive detergent to clean oil and stain on surface regularly to maintain hygiene.

### 2 OIL FILTER CLEANING

Empty the oil tray and clean baffle filter with warm water regularly and non-abrasive detergent to maintain the suction efficiency.

### 3 CHARCOAL FILTER

Recommended to replace it at least once a year to ensure peak performance. Charcoal filter is non-washable, you can purchase it with our after-sales department.

### 4 HOOD MOTOR

Contact our after-sales department for motor servicing & maintenance at least once a year to ensure consistent suction and performance.

### RECOMMENDED HOOD INSTALLATION HEIGHT

#### 1 T - HOOD/ ARCH-GLASS HOOD



#### 2 SLANTED HOOD



#### 3 L - HOOD



#### 4 COMPACT- SLANTED HOOD



#### 5 PANNELLO HOOD





**NEW** RANGE COOKER

# GRANDERA

Range Cooker

## PROFESSIONAL CHOICE! FREESTANDING COOKER WITH TWIN-OVEN



### ROBUST & VERSATILE

The high-quality range cooker enables you to cook multiple dishes with both gas burners and ovens simultaneously.



COOKTOP WITH ITALIAN

**SABAF BURNER**  
WITH **FISH BURNER**

The FIVE burners with different flame powers.



TWIN-OVEN WITH  
**83L & 45L CAPACITY**

Preparing TWO dishes at the same time!



**GRILL & COOK**



**ROTISSERIE & TELESCOPIC RUNNER**

Rotisserie ensures the meat is evenly cooked and perfectly browned on all sides. Telescopic Runner ensures a hassle-free, smooth and safe slide out of your dishes from the oven or bastes it.

**TOUCH ME!**



**SENSOR TOUCH CONTROL & TIMER**

A user-friendly function that allows you to easily control & adjust the temperature and cooking time.

**SPLASHBACK**



**SPLASHBACK DESIGN**

To reduce cooking grease splattering to the kitchen wall.



RAC-GRANDERA-618-SS

LR:1.75 LF:3.7 RR:1.75 RF:1.0  
 Straight  
 Stainless Steel  
 SABAF Burner  
 ✓  
 Electric  
 LPG  
 Cast Iron  
 Cast Iron  
 Product Dimension (W x D x H mm) 600 x 600 x 900



RAC-GRANDERA-PRO918-SS

LR:1.75 LF:3.0 M:3.7 RR:1.75 RF:1.0  
 Straight  
 Stainless Steel  
 SABAF Burner with Fish Burner  
 ✓  
 Electric  
 LPG  
 Cast Iron  
 Cast Iron  
 Product Dimension (W x D x H mm) 900 x 600 x 900



RAC-GRANDERA-PRO928-SS

LR:1.75 LF:3.0 M:3.7 RR:1.75 RF:1.0  
 Straight  
 Stainless Steel  
 SABAF Burner with Fish Burner  
 ✓  
 Electric  
 LPG  
 Cast Iron  
 Cast Iron  
 Product Dimension (W x D x H mm) 900 x 600 x 900

**Gas Hob Features**

Flame Power (kW)  
 Flame Style  
 Surface Material  
 Burner Material  
 FFD Protection  
 Ignition  
 Type of Gas  
 Pan Support  
 Wok Stand  
 Product Dimension (W x D x H mm)

**Oven Features**

Cooking Programme / Function  
 Capacity (L)  
 Electronic Control & Display  
 Oven Light  
 Time Control  
 Removable Door  
 Shelf Side Support  
 Cavity Material  
 Child Lock  
 Energy Efficiency

Model	RAC-GRANDERA-618-SS	RAC-GRANDERA-PRO918-SS	RAC-GRANDERA-PRO928-SS
Cooking Programme / Function	8	8	8
Capacity (L)	67L	118L	83L + 45L
Electronic Control & Display	✓	✓	✓
Oven Light	2	2	2
Time Control	✓	✓	✓
Removable Door	✓	✓	✓
Shelf Side Support	5	5	5
Cavity Material	Enamel	Enamel	Enamel
Child Lock	✓	✓	✓
Energy Efficiency	A	A	A

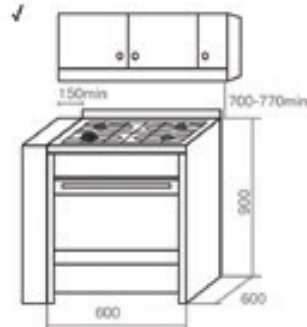
**Highlight Features**

Door Glass Layer  
 Telescopic Runner  
 Cooling System  
 Rotisserie & Turnspit  
 Storage Compartment  
 Splash Back

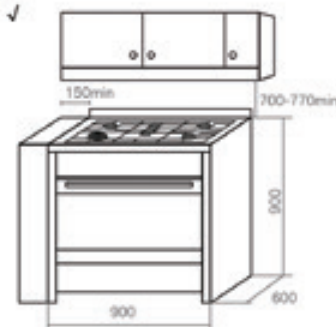
Model	RAC-GRANDERA-618-SS	RAC-GRANDERA-PRO918-SS	RAC-GRANDERA-PRO928-SS
Door Glass Layer	3	3	3
Telescopic Runner	✓	✓	✓
Cooling System	✓	✓	✓
Rotisserie & Turnspit	✓	✓	X
Storage Compartment	✓	✓	✓
Splash Back	✓	✓	✓

**8 Cooking Programme / Function:**

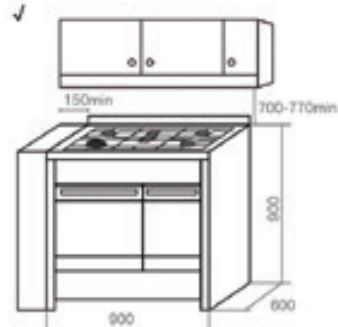
- Lamp
- Top & Bottom Heat
- Button Heat with Fan Assisted
- Top Heat
- Top Grill
- Top Grill with Fan Assisted
- Circular Heat with Fan
- Defrosting



**67L** Large Capacity  
 SABAF Burner



**118L** Large Capacity  
 SABAF Burner + Fish Burner



**83L + 45L** Capacity  
 Grandera Twin-Oven  
 SABAF Burner + Fish Burner

**Features apply to all models above:**

- Flame Power up to 3.7kW
- Electric Ignition
- Flame Failure Devices (FFD) Protection
- 8 Functions
- Sensor Touch
- Timer
- Telescopic Runner
- Rotisserie & Turnspit
- Quality 3-Layers Glass Door
- A-Class Energy Efficiency
- Child Lock
- 5 Shelves
- Cooling System
- Splashback Design

[LP] WM : RM 6,120  
 EM : RM 6,490

[LP] WM : RM 8,720  
 EM : RM 9,240

[LP] WM : RM 9,650  
 EM : RM 10,230



GAS HOB







# FASCO

SERIES

GAS HOB

## MAINTENANCE TIPS

1 GAS HOB SURFACE  
(GLASS)

Glass surface is easy to clean. Make sure to use only soft cloth / sponge with non-abrasive detergent to avoid damage / scratch the surface.

2 GAS HOB SURFACE  
(STAINLESS STEEL)

Clean by using soft cloth / sponge with non-abrasive detergent as detergent with acidic nature might damage / scratch the stainless steel surface.

3 CLEAN UP SPILL AS  
SOON AS IT OCCURS

Do not use cold water on hot surface as it will create thermal shock that can reduce the life span of the glass. Handle carefully when surface is hot.

4 CLEANING OF BURNER  
RING & STAND

Use soft sponge with non-abrasive detergent to do regular cleaning. Remember to let dry before placing it back to the hob.



GAS HOB

# FASCO

SERIES

NEW

**FAST &  
CONVERGING  
FLAME** WITH  
CONCENTRA PAN  
SUPPORT  
BUILT-IN GAS HOB

Experience lightning-fast ignition and converging flame coverage for better burning efficiency and uniform heat distribution.

NEW

*Premium*

**TITANIUM GREY**  
STAINLESS STEEL  
SURFACE

**5.5kW**

CONCENTRA PAN SUPPORT

WIND & HEAT SHIELD





**NEW**

*Premium*  
**SETAKERA**  
GLASS SURFACE

**NANO COATING**  
Easy cleaning & reduce water mark

**FINGERPRINT RESISTANCE**



**SMART TIMER WITH BATTERY INDICATOR**



**NEW**

**BLACK WATER TRAY FOR PREMIUM AESTHETIC**



**FASCO FLAME**  
Higher critto style flame provides concentrate and powerful heat distribution.



**CONCENTRA PAN SUPPORT**  
Enhanced thermal efficiency up to 63% and effectively reduces external wind interference.



**CHAMPAGNE GOLD ALUMINIUM FRAME**



**3-BURNERS PARABOLIC DESIGN**  
Parabolic design for a more versatile cooking space.

GAS HOOB

FASCO SERIES

3-BURNER SERIES

3-BURNER SERIES

PRODUCE FEATURED - RGH-FASCO+3B-865K



**RGH-FASCO2B-SK**

- Features**
- L:5.5 R:5.5 Flame Power (kW)
  - Dritto / Straight Flame Style
  - SETAKERA Glass with Champagne Gold Aluminium Frame
  - Brass Burner
  - FFD Protection
  - Battery Ignition
  - LPG Gas
  - Cast Iron Pan Support
  - Wok Stand
- Technical Info**
- Product Dimension (mm): 780 W x 460 D
  - Cut-out Dimension (mm): 650-750 W x 350-430 D

[LP] WM : RM 1,580      WM : RM **670**  
EM : RM 1,680      EM : RM **710**

**RGH-FASCO+2B-86SK**

- Features**
- L:5.5 R:5.5 Flame Power (kW)
  - Dritto / Straight Flame Style
  - SETAKERA Glass with Champagne Gold Aluminium Frame
  - Brass Burner
  - FFD Protection
  - Battery Ignition
  - LPG Gas
  - Cast Iron Pan Support
  - Wok Stand
- Technical Info**
- Product Dimension (mm): 860 W x 500 D
  - Cut-out Dimension (mm): 800-830 W x 440-470 D

[LP] WM : RM 1,920      WM : RM **980**  
EM : RM 2,040      EM : RM **1,040**

**RGH-FASCO+3B-86SK**

- Features**
- L:4.0 M:2.0 R:5.5 Flame Power (kW)
  - Dritto / Straight Flame Style
  - SETAKERA Glass with Champagne Gold Aluminium Frame
  - Brass Burner
  - FFD Protection
  - Battery Ignition
  - LPG Gas
  - Cast Iron Pan Support
  - Wok Stand
- Technical Info**
- Product Dimension (mm): 860 W x 500 D
  - Cut-out Dimension (mm): 700-830 W x 400-470 D

[LP] WM : RM 2,080      WM : RM **1,120**  
EM : RM 2,200      EM : RM **1,180**

**RGH-FASCO2B-TG**

- Features**
- L:5.5 R:5.5 Flame Power (kW)
  - Dritto / Straight Flame Style
  - Titanium Grey Stainless Steel Surface
  - Brass Burner
  - FFD Protection
  - Battery Ignition
  - LPG Gas
  - Cast Iron Pan Support
  - Wok Stand
- Technical Info**
- Product Dimension (mm): 780 W x 460 D
  - Cut-out Dimension (mm): 650-750 W x 350-430 D

[LP] WM : RM 1,610      WM : RM **700**  
EM : RM 1,700      EM : RM **730**

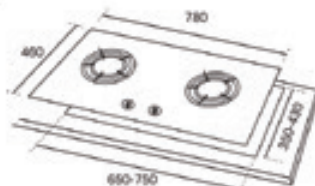
**RGH-FASCO+3B-86TG**

- Features**
- L:4.0 M:2.0 R:5.5 Flame Power (kW)
  - Dritto / Straight Flame Style
  - Titanium Grey Stainless Steel Surface
  - Brass Burner
  - FFD Protection
  - Battery Ignition
  - LPG Gas
  - Cast Iron Pan Support
  - Wok Stand
- Technical Info**
- Product Dimension (mm): 860 W x 500 D
  - Cut-out Dimension (mm): 700-830 W x 400-470 D

[LP] WM : RM 2,150      WM : RM **1,190**  
EM : RM 2,280      EM : RM **1,250**



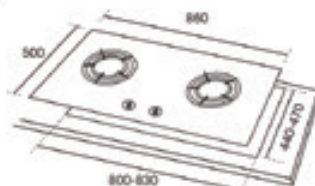
**PREMIUM SETAKERA** Glass with Champagne Gold Aluminium Frame



- 5.5kW Flame Power
- Flame Failure Device (FFD) Protection
- Battery Ignition
- FASCO Dritto Flame Style
- Concentra Pan Support
- AL Champagne Gold Aluminium Frame
- Smart Ignition
- I-Link
- Nano Coating
- Fingerprint Resistance



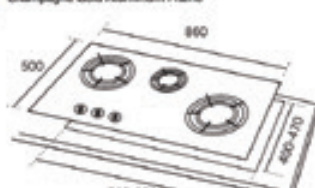
**PREMIUM SETAKERA** Glass with Champagne Gold Aluminium Frame



- 5.5kW Flame Power
- Flame Failure Device (FFD) Protection
- Battery Ignition
- FASCO Dritto Flame Style
- Concentra Pan Support
- AL Champagne Gold Aluminium Frame
- Smart Ignition
- I-Link
- Smart Timer (L/R)
- Nano Coating
- Fingerprint Resistance



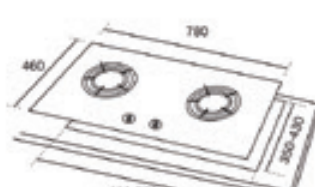
**PREMIUM SETAKERA** Glass with Champagne Gold Aluminium Frame



- 5.5kW Flame Power
- Flame Failure Device (FFD) Protection
- Battery Ignition
- FASCO Dritto Flame Style
- Concentra Pan Support
- AL Champagne Gold Aluminium Frame
- Smart Ignition
- I-Link
- Smart Timer (L/R)
- 3-Burners Parabolic Design
- Nano Coating
- Fingerprint Resistance



**PREMIUM Titanium Grey** Stainless Steel Surface



- 5.5kW Flame Power
- Flame Failure Device (FFD) Protection
- Battery Ignition
- FASCO Dritto Flame Style
- Concentra Pan Support
- Smart Ignition
- I-Link



**PREMIUM Titanium Grey** Stainless Steel Surface



- 5.5kW Flame Power
- Flame Failure Device (FFD) Protection
- Battery Ignition
- FASCO Dritto Flame Style
- Concentra Pan Support
- Smart Ignition
- I-Link
- Smart Timer (L/R)
- 3-Burners Parabolic Design

TOP UP

TOP UP

TOP UP

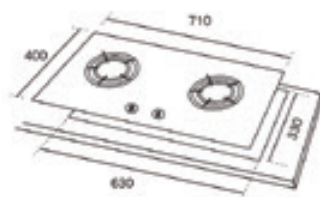
TOP UP

TOP UP



# CALDO SERIES / 2-BURNER / 3-BURNER GAS HOB

**TOP UP** FROM CALDO2B PACKAGE



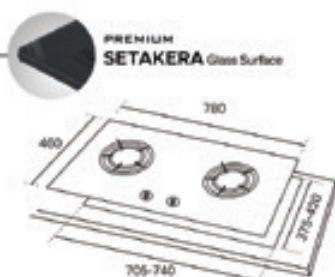
- 5.2kW Flame Power
- Flame Failure Device (FFD) Protection
- Battery Ignition
- Vortex Flame Style
- Pan Support With Wind Barricade

## RGH-CALDO2B-SS

- L:5.2 R:5.2 Flame Power (kW)
  - Vortex / Twister Flame Style
  - Stainless Steel Surface
  - Stainless Steel + Brass Burner
  - FFD Protection
  - Battery Ignition
  - LPG Gas
  - Cast Iron Pan Support
  - Wok Stand
- Product Dimension (mm): 710 W x 400 D  
Cut-out Dimension (mm): 630 W x 330 D

[LP] WM : RM 860 WM : RM 860  
EM : RM 910 EM : RM 910

**30** TOP UP



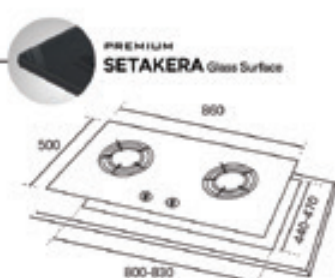
- 6.3kW Flame Power
- 8-Flame Level
- Battery Ignition
- Flame Failure Device (FFD) Protection
- TRIO Ring
- Dritto Flame Style
- Smart/ Auto Ignition
- Flexi Cut-out
- i-Link
- Nano Coating
- Fingerprint Resistance

## RGH-TREZZA2B-SK

- L:6.3 R:6.3 Flame Power (kW)
  - Dritto / Straight Flame Style
  - SETAKERA Glass Surface
  - Brass Burner
  - FFD Protection
  - Battery Ignition
  - LPG Gas
  - Cast Iron Pan Support
  - Wok Stand
- Product Dimension (mm): 780 W x 460 D  
Cut-out Dimension (mm): 705-740 W x 375-420 D

[LP] WM : RM 1,520 WM : RM 1,520  
EM : RM 1,610 EM : RM 1,610

**620** TOP UP



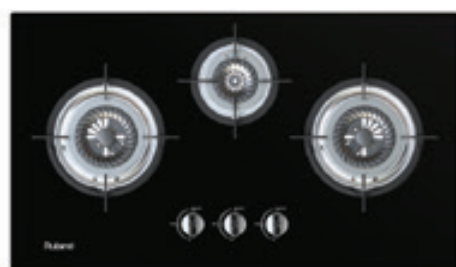
- 6.3kW Flame Power
- 8-Flame Level
- Battery Ignition
- Flame Failure Device (FFD) Protection
- TRIO Ring
- Dritto Flame Style
- Timer
- Smart/ Auto Ignition
- Flexi Cut-out
- i-Link
- Nano Coating
- Fingerprint Resistance

## RGH-DAKKA2B-SK

- L:6.3 R:6.3 Flame Power (kW)
  - Dritto / Straight Flame Style
  - SETAKERA Glass Surface
  - Brass Burner
  - FFD Protection
  - Battery Ignition
  - LPG Gas
  - Cast Iron Pan Support
  - Wok Stand
- Product Dimension (mm): 860 W x 500 D  
Cut-out Dimension (mm): 800-830 W x 440-470 D

[LP] WM : RM 1,830 WM : RM 1,830  
EM : RM 1,940 EM : RM 1,940

**900** TOP UP



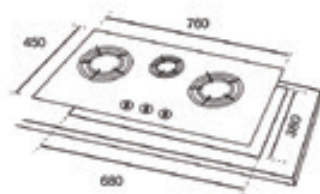
- 5.2kW Flame Power
- Flame Failure Device (FFD) Protection
- Battery Ignition
- Vortex Flame Style
- Pan Support With Wind Barricade

## RGH-CALDO3B-BL

- L:5.2 M:2.0 R:5.2 Flame Power (kW)
  - Vortex / Twister Flame Style
  - Tempered Glass Surface
  - Stainless Steel + Brass Burner
  - FFD Protection
  - Battery Ignition
  - LPG Gas
  - Cast Iron Pan Support
  - Wok Stand
- Product Dimension (mm): 800 W x 460 D  
Cut-out Dimension (mm): 680 W x 380 D

[LP] WM : RM 1,120 WM : RM 1,120  
EM : RM 1,190 EM : RM 1,190

**260** TOP UP



- 5.2kW Flame Power
- Flame Failure Device (FFD) Protection
- Battery Ignition
- Vortex Flame Style
- Pan Support With Wind Barricade

## RGH-CALDO3B-SS

- L:5.2 M:2.0 R:5.2 Flame Power (kW)
  - Vortex / Twister Flame Style
  - Stainless Steel Surface
  - Stainless Steel + Brass Burner
  - FFD Protection
  - Battery Ignition
  - LPG Gas
  - Cast Iron Pan Support
  - Wok Stand
- Product Dimension (mm): 760 W x 450 D  
Cut-out Dimension (mm): 680 W x 380 D

[LP] WM : RM 1,160 WM : RM 1,160  
EM : RM 1,230 EM : RM 1,230

**300** TOP UP

GAS HOB

FASCO SERIES

2-BURNER SERIES

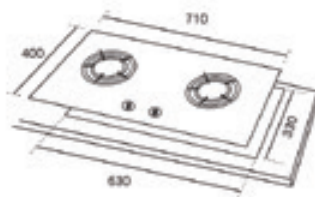
3-BURNER SERIES



# 2-BURNER BUILT-IN GAS HOB

**TOP UP** FROM **VISTA2B** PACKAGE

## RGH-ENYA2B-SS

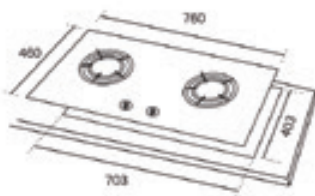


- 5.0kW Flame Power
- Flame Failure Device (FFD) Protection
- Battery Ignition
- Dritto Flame Style

- Features**
- L:5.0 R:5.0 Flame Power (kW)
  - Dritto / Straight Flame Style
  - Stainless Steel Surface
  - Brass Burner
  - FFD Protection
  - Battery Ignition
  - LPG Gas
  - Cast Iron Pan Support
  - Wok Stand
- Technical Info**
- Product Dimension (mm): 710 W x 400 D  
Cut-out Dimension (mm): 630 W x 330 D

[LP] WM : RM 810      WM : RM **30**  
EM : RM 860      EM : RM **30**

TOP UP



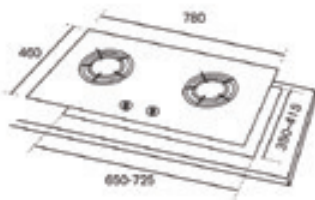
- 5.0kW Flame Power
- Flame Failure Device (FFD) Protection
- Battery Ignition
- Dritto Flame Style
- Convex Burner Plate

## RGH-FIGATA2B-BL

- Features**
- L:5.0 R:5.0 Flame Power (kW)
  - Dritto / Straight Flame Style
  - Tempered Glass Surface
  - Brass Burner
  - FFD Protection
  - Battery Ignition
  - LPG Gas
  - Cast Iron Pan Support
  - Wok Stand
- Technical Info**
- Product Dimension (mm): 760 W x 460 D  
Cut-out Dimension (mm): 703 W x 403 D

[LP] WM : RM 800      WM : RM **20**  
EM : RM 850      EM : RM **20**

TOP UP



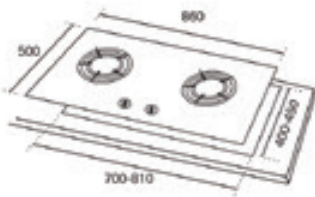
- 5.0kW Flame Power
- Flame Failure Device (FFD) Protection
- Battery Ignition
- Dritto Flame Style
- Smart/Auto Ignition
- Flexi Cut-out
- Wind-guard Stand

## RGH-FOTEZ2B-BLFX

- Features**
- L:5.0 R:5.0 Flame Power (kW)
  - Dritto / Straight Flame Style
  - Tempered Glass Surface
  - Brass Burner
  - FFD Protection
  - Battery Ignition
  - LPG Gas
  - Cast Iron Pan Support
  - Cast Iron Wok Stand
- Technical Info**
- Product Dimension (mm): 780 W x 460 D  
Cut-out Dimension (mm): 650-725 W x 350-415 D

[LP] WM : RM 1,630      WM : RM **760**  
EM : RM 1,730      EM : RM **810**

TOP UP



- 5.0kW Flame Power
- Flame Failure Device (FFD) Protection
- Battery Ignition
- Dritto Flame Style
- Smart/Auto Ignition
- Flexi Cut-out

## RGH-LOTOFLEXI2B-BLFX

- Features**
- L:5.0 R:5.0 Flame Power (kW)
  - Dritto / Straight Flame Style
  - Tempered Glass Surface
  - Brass Burner
  - FFD Protection
  - Battery Ignition
  - LPG Gas
  - Cast Iron Pan Support
  - Cast Iron Wok Stand
- Technical Info**
- Product Dimension (mm): 860 W x 500 D  
Cut-out Dimension (mm): 700-810 W x 400-450 D

[LP] WM : RM 1,630      WM : RM **760**  
EM : RM 1,730      EM : RM **810**

TOP UP

# 3-BURNER BUILT-IN GAS HOB

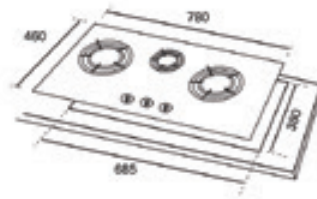
**TOP UP** FROM **VISTA2B** PACKAGE

## RGH-VISTA3B-BL

- Features**
- L:5.0 M:2.0 R:5.0 Flame Power (kW)
  - Vortex/ Twister Flame Style
  - Tempered Glass Surface
  - Stainless Steel + Brass Burner
  - FFD Protection
  - Battery Ignition
  - LPG Gas
  - Cast Iron Pan Support
  - Wok Stand
- Technical Info**
- Product Dimension (mm): 780 W x 460 D
  - Cut-out Dimension (mm): 685 W x 380 D

[LP] WM : RM 990      WM : RM **190**  
EM : RM 1,050      EM : RM **200**

**TOP UP**

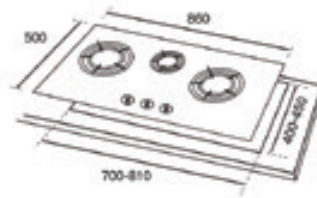
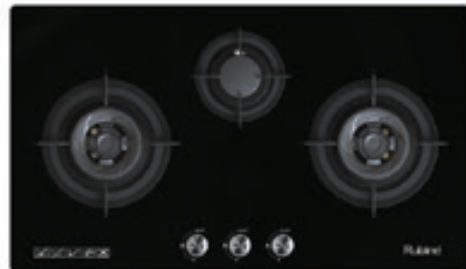


## RGH-LOTOFLEXI3B-BLFX

- Features**
- L:5.0 M:1.4 R:5.0 Flame Power (kW)
  - Drito / Straight Flame Style
  - Tempered Glass Surface
  - Brass Burner
  - FFD Protection
  - Battery Ignition
  - LPG Gas
  - Cast Iron Pan Support
  - Cast Iron Wok Stand
- Technical Info**
- Product Dimension (mm): 860 W x 500 D
  - Cut-out Dimension (mm): 700-810 W x 400-450 D

[LP] WM : RM 1,790      WM : RM **910**  
EM : RM 1,900      EM : RM **970**

**TOP UP**



GAS HOB

FALCO SERIES

2-BURNER SERIES

3-BURNER SERIES

# VISTA

VERSATILE ENOUGH TO TACKLE EVERY COOKING STYLE

5.0kW High Heat Stir-Frying

26 Flame Ports with 13° Whirlwind Flame Angle

62% Heating Efficiency

Low Carbon Emission

Save Cost and Enable Faster Cooking

Derive pleasure at the stove whatever cooking methods you are employing. Preparing a meal is easier and more convenient with this sleek new-gen appliance. Whether fast and furious, or slow and steady, you can count on VISTA to meet the demands of Asian cooking.



NEW

ELECTRIC HOB

# R-series

PREMIUM ELECTRIC HOB WITH VETRO KERA GLASS

RENZO NEW

## MAINTENANCE TIPS

- 1 GLASS SURFACE CLEANING**

Glass surface is easy to clean. Make sure to use only soft cloth / sponge with non-abrasive detergent to avoid damage / scratch the surface.
- 2 CLEAN UP SPILL AS SOON AS IT OCCURS**

Do not use cold water on hot surface as it will create thermal shock that can reduce the life span of the glass. Handle carefully when surface is hot.
- 3 CLEAN THE BOTTOM OF COOKWARE**

Cleanliness of the cookware's bottom is very important as it will affect the heating efficiency.
- 4 DO NOT DRAG HEAVY COOKWARE ON THE HOB**

Always lift cookware off and never slide or drag across the hob surface as they might cause scratches and damage.





Rubine

6088

Rubine

6088



Rubine

ELECTRIC HOB



NEW

ELECTRIC HOB

# RIVOLI

## QUALITY ELECTRIC HOB, GUARANTEED.

The perfect addition to all modern kitchens today, bringing functionality and elegance as one.



### **KONSTEC HEAT CONTROL WITH OVERHEATING PROTECTION**

With **KONSTEC** heat control technology, the temperature is electronically controlled to provide constant and more uniform distribution of cooking heat. It also comes with a built-in overheat protection sensor to provide extra safety and avoid the vitro-ceramic glass surface being damaged by overheating.

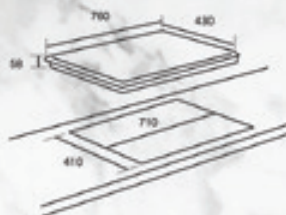
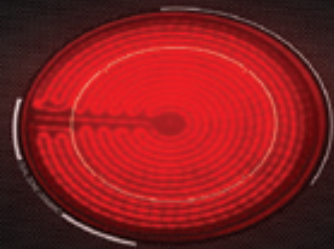




VETRO KERA™

VETRO KERA GLASS

- Evolutionary Glass Surface Design
- Fingerprint & Scratch Resistance
- Exceptional Craftmanship



- Safety Lock
- Timer
- Residual Heat Warning Indicator
- Overheat Protection
- KORSTEC Heat Control
- Booster
- Champagne Gold Aluminium Frame

**TOP UP** FROM **CALDO2B** PACKAGE

BUILT-IN HYBRID HOB

**RCH-RIVOLI57-BL**

- Features
- Hybrid - Horizontal
  - L: 2.0 (X-Boost) M: 1.7 (X-Boost) R: 2.0
  - Energy Power Level (kW)
  - 9 Power Level
  - Vitro-Ceramic Glass Surface Material
  - Timer
  - Safety Lock

Technical Info  
 Product Dimension (mm): 760 W x 430 D  
 Cut-out Dimension (mm): 710 W x 410 D

[LP] WM : RM 1,860      WM : RM **930**  
 EM : RM 1,970      EM : RM **980**

**TOP UP**

R-SERIES

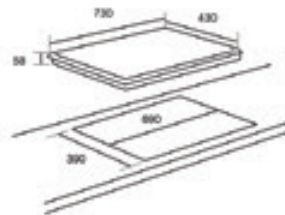


# R-series / V-series

PREMIUM ELECTRIC HOB WITH 11 COOKING ZONES

PREMIUM ELECTRIC HOB WITH 11 COOKING ZONES

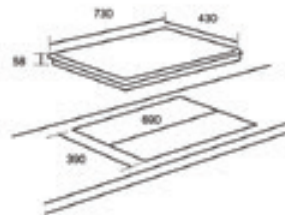
**TOP UP** FROM **CALDO2B** PACKAGE

**NEW** **RENZO** BUILT-IN HYBRID HOB

**RCH-RENZO42-BL**

- Features
- Hybrid - Horizontal
  - L: 2.2 (X-Boost) R: 2.0
  - Energy Power Level (kW)
  - 9 Power Level
  - Vitro-Ceramic Glass Surface Material
  - Timer
  - Safety Lock

Product Dimension (mm): 730 W x 430 D x 58 H  
Cut-out Dimension (mm): 690 W x 390 D

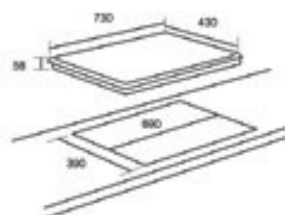
[LP] WM : RM 1,620      WM : RM **710**  
EM : RM 1,720      EM : RM **750**

**NEW** **ROSSE** BUILT-IN CERAMIC HOB

**RCE-ROSSE42-BL**

- Features
- Ceramic - Horizontal
  - L: 2.0 R: 2.2 (X-Boost)
  - Energy Power Level (kW)
  - 9 Power Level
  - Vitro-Ceramic Glass Surface Material
  - Timer
  - Safety Lock

Product Dimension (mm): 730 W x 430 D x 58 H  
Cut-out Dimension (mm): 690 W x 390 D

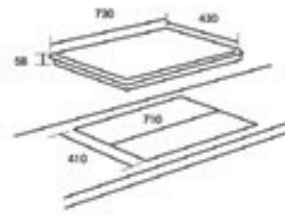
[LP] WM : RM 1,620      WM : RM **710**  
EM : RM 1,720      EM : RM **750**

**NEW** **REKKA** BUILT-IN INDUCTION HOB

**RIH-REKKA44-BL**

- Features
- Induction - Horizontal
  - L: 2.2 (X-Boost) R: 2.2 (X-Boost)
  - Energy Power Level (kW)
  - 9 Power Level
  - Vitro-Ceramic Glass Surface Material
  - Timer
  - Safety Lock

Product Dimension (mm): 730 W x 430 D x 58 H  
Cut-out Dimension (mm): 690 W x 390 D

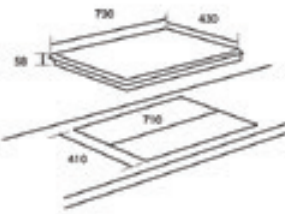
[LP] WM : RM 1,680      WM : RM **770**  
EM : RM 1,780      EM : RM **810**

**Valido series** BUILT-IN HYBRID HOB

**RCH-VALIDO44-BL**

- Features
- Hybrid - Horizontal
  - L: 2.2 (X-Boost) R: 2.2
  - Energy Power Level (kW)
  - 9 Power Level
  - Vitro-Ceramic Glass Surface Material
  - Timer
  - Safety Lock

Product Dimension (mm): 730 W x 430 D x 58 H  
Cut-out Dimension (mm): 710 W x 410 D

[LP] WM : RM 2,450      WM : RM **1,460**  
EM : RM 2,600      EM : RM **1,540**

**Veloce series** BUILT-IN INDUCTION HOB

**RIH-VELOCE44-BL**

- Features
- Induction - Horizontal
  - L: 2.2 R: 2.2
  - Energy Power Level (kW)
  - 9 Power Level
  - Vitro-Ceramic Glass Surface Material
  - Timer
  - Safety Lock

Product Dimension (mm): 730 W x 430 D x 58 H  
Cut-out Dimension (mm): 710 W x 410 D

[LP] WM : RM 2,230      WM : RM **1,260**  
EM : RM 2,370      EM : RM **1,330**

TOP UP

TOP UP

TOP UP

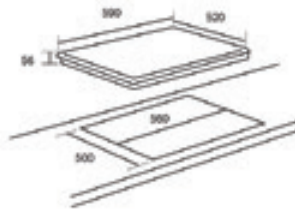
TOP UP

TOP UP

*Veloce series* BUILT-IN INDUCTION HOB



Aluminium Frame



- Safety Lock
- Timer
- Overheat Protection
- Residual Heat Warning Indicator
- AL Aluminium Frame

**RIH-VELOCE58-BL**

- Induction - European
- LF: 2.0 LR: 1.5 R: 2.3
- Energy Power Level (kW)
- 9 Power Level
- Vitro-Ceramic Glass Surface Material
- Timer
- Safety Lock

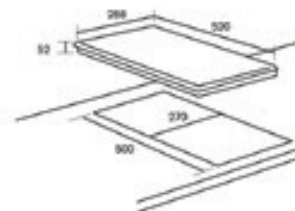
Product Dimension (mm): 590 W x 520 D x 56 H  
Cut-out Dimension (mm): 560 W x 500 D

[LP] WM : RM 2,000    WM : RM **1,050**  
EM : RM 2,120    EM : RM **1,110**

**TOP UP**



- Safety Lock
- Timer
- Overheat Protection
- Residual Heat Warning Indicator



**TOP UP** FROM **VISTA2B** PACKAGE

**RIH-VELOCE35-BL**

- Induction - Domino
- F: 1.5 R: 2.0
- Energy Power Level (kW)
- 9 Power Level
- Vitro-Ceramic Glass Surface Material
- Timer
- Safety Lock

Product Dimension (mm): 288 W x 520 D x 52 H  
Cut-out Dimension (mm): 270 W x 500 D

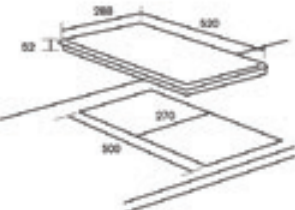
[LP] WM : RM 1,250    WM : RM **420**  
EM : RM 1,330    EM : RM **450**

**TOP UP**

*Vulcan series* BUILT-IN CERAMIC HOB



- Safety Lock
- Timer
- Overheat Protection
- Residual Heat Warning Indicator
- KORSTEC Heat Control



**RCE-VULCAN30-BL**

- Ceramic - Domino
- F: 1.2 R: 1.8
- Energy Power Level (kW)
- 9 Power Level
- Vitro-Ceramic Glass Surface Material
- Timer
- Safety Lock

Product Dimension (mm): 288 W x 520 D x 52 H  
Cut-out Dimension (mm): 270 W x 500 D

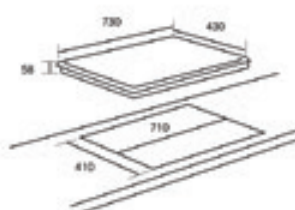
[LP] WM : RM 1,200    WM : RM **370**  
EM : RM 1,270    EM : RM **390**

**TOP UP**



Beveled Glass with Aluminium Frame

- Safety Lock
- Timer
- Overheat Protection
- Residual Heat Warning Indicator
- KORSTEC Heat Control
- Beveled Glass
- AL Aluminium Frame



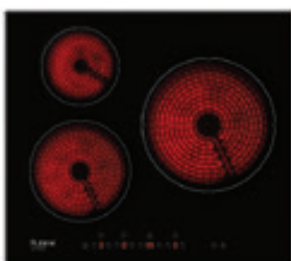
**RCE-VULCAN40-BL**

- Ceramic - Horizontal
- L: 1.8 R: 2.2
- Energy Power Level (kW)
- 9 Power Level
- Vitro-Ceramic Glass Surface Material
- Timer
- Safety Lock

Product Dimension (mm): 730 W x 430 D x 58 H  
Cut-out Dimension (mm): 710 W x 410 D

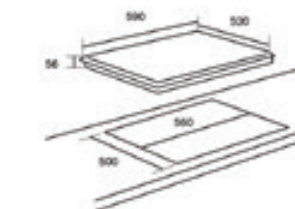
[LP] WM : RM 1,490    WM : RM **630**  
EM : RM 1,580    EM : RM **670**

**TOP UP**



Aluminium Frame

- Safety Lock
- Timer
- Overheat Protection
- Residual Heat Warning Indicator
- AL Aluminium Frame
- KORSTEC Heat Control



**RCE-VULCAN52-BL**

- Ceramic - European
- LF: 1.8 LR: 1.2 R: 2.2
- Energy Power Level (kW)
- 9 Power Level
- Vitro-Ceramic Glass Surface Material
- Timer
- Safety Lock

Product Dimension (mm): 590 W x 520 D x 56 H  
Cut-out Dimension (mm): 560 W x 500 D

[LP] WM : RM 1,930    WM : RM **1,030**  
EM : RM 2,050    EM : RM **1,090**

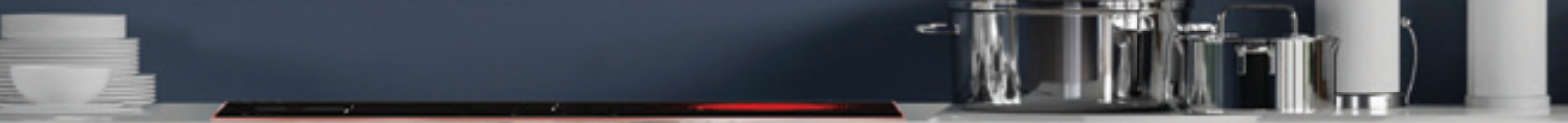
**TOP UP**





# SERRA

3-IN-1 COMBI STEAM OVEN





## MAINTENANCE TIPS

### 1 REGULAR CLEANING OF INNER CAVITY

Keep cleanliness of the cavity every time after use to avoid difficulty in removing hard stains.

### 2 CLEANLINESS OF DOOR GLASS

Use the right degreaser and method to clean oven glass door. Handle with care as the glass is hot after using the oven.

### 3 CHOOSING THE RIGHT COOKWARE

Use only utensils and containers that are approved and labeled for microwave oven use.

### 4 KNOW WHAT TO PUT INTO MICROWAVE OVEN

Foods like whole egg, chilli pepper, pasta sauce, sausages and etc are not recommended to cook using microwave, as it will create spillover.



**NEW** OVEN & MICROWAVE

# SERRA



**Lock-in Nutrients  
Live Healthier  
Embrace Steam-Powered  
Culinary Delights**



### 3-IN-1 COMBI STEAM OVEN

- STEAM**  
- Locks in nutrients and enhance its natural flavour
- GRILL**  
- Satisfies your carnivorous craze effortlessly
- FERMENTATION**  
- Keep temperature at optimum level for dough to proof evenly



**50**  
L

### 50L LARGE CAPACITY

Generously-sized 50L oven accommodates large culinary.



**11**  
FUNCTION

### 11 COOKING FUNCTIONS

To cater for a variety of cooking.

## RSO-SERRA-50BL

### Features

- Steam, Grill & Fermentation Oven
- 11 Cooking Functions
- 50 L Capacity
- Sensor Touch Control Panel
- LCD Display
- Oven Light
- Time Control
- Enamel Cavity Material
- Child Lock

### Technical Info

Product Dimension (mm)

595 W x 565 D x 454 H

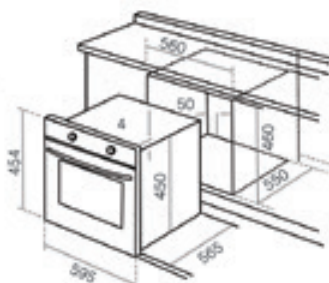
[LP] WM : RM 5,210

EM : RM 5,520

**PWP**

**WM : RM 4,688**

**EM : RM 4,968**



50L Capacity



11 Functions



Child Lock



Steam & Grill

### 11 COOKING FUNCTIONS



NEW

NUOVO



**Spice Up New Horizons  
with Extra Capacity**  
Expand Culinary Boundaries  
with Advanced Innovations

## RBO-NUOVO-82BL

### Features

- Built-in Oven
- 13 Cooking Functions
- 82 L Capacity
- Sensor Touch with Knob Control Panel
- LCD Display
- Oven Light
- Time Control
- Removable Door
- 5 Shelf Side Support
- Enamel Cavity Material

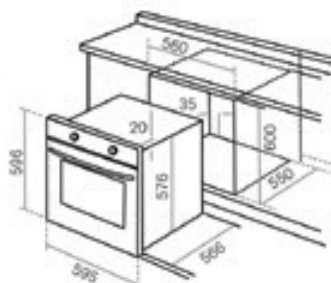
### Technical Info

Product Dimension (mm)  
595 W x 566 D x 596 H

[LP] WM : RM3,650  
EM : RM3,880

PWP

WM : **RM 3,288**  
EM : **RM 3,488**



### 82L LARGE CAPACITY

Generously-sized 82L oven accommodates large culinary.



**13**  
FUNCTION

### 13 COOKING FUNCTIONS

To cater for a variety of cooking.



### INTUITIVE KNOB CONTROL WITH SENSOR TOUCH

- 82L Capacity
- 13 Functions
- 5 Shelves Side Support
- Quality 3-Layers Glass Door
- Cooling System
- Rotisserie & Turnspit
- Child Lock

### 13 COOKING FUNCTIONS

- |                |                    |              |              |
|----------------|--------------------|--------------|--------------|
| Conventional   | Conventional + Fan | Double Grill | Defrost      |
| Convection     | Radiant Heat       | Pizza        | Fermentation |
| Eco Convection | Double Grill + Fan | Bottom Heat  | LIGHT        |
|                |                    |              | PRE-HEAT     |



**NEW** OVEN & MICROWAVE

# BECCA



## Baking Paradise

Discover the Wonders of Air Frying & 3D Cooking



**AIR FRYER SYSTEM**



**83L LARGE CAPACITY**

Generously-sized 83L oven accommodates large culinary.



**3D COOKING EFFECT**

## RBO-BECCA-83BL

### Features

- Built-in Oven
- 10 Cooking Functions
- 83 L Capacity
- Mechanical Control Panel
- Oven Light
- Time Control
- Removable Door
- 5 Shelf Side Support
- Enamel Cavity Material

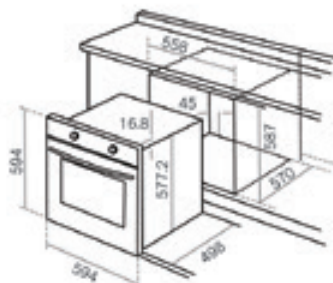
### Technical Info

Product Dimension (mm)  
594 W x 498 D x 594 H

[LP] WM : RM 2,430  
EM : RM 2,580

**PWP**

**WM : RM 2,188**  
**EM : RM 2,318**

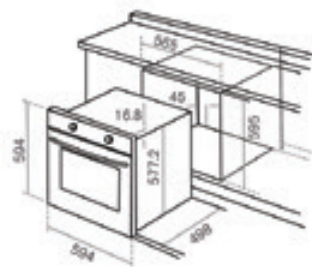


- 83L Capacity
- 10 Functions
- 5 Shelves Side Support
- Quality 3-Layers Glass Door
- Cooling System
- Air Fryer
- 3D Cooking Effect

### 10 COOKING FUNCTIONS

- Light
- Conventional + Fan
- Double Grill
- Air Fry
- Defrost
- Radiant Heat
- Double Grill + Fan
- Conventional
- Dehydration
- Pizza

# BUILT-IN OVEN



- 60L Capacity
- 7 Functions
- A-Class Energy Efficiency
- 5 Shelves Side Support
- Quality 2-Layers Glass Door
- Cooling System
- Rotisserie & Turnspit

# RBO-CAVO-60BL

## Features

- Built-in Oven
- 7 Cooking Functions
- 60 L Capacity
- Mechanical Control Panel
- Oven Light
- Time Control
- Removable Door
- 5 Shelf Side Support
- Enamel Cavity Material
- A-Class Energy Efficiency

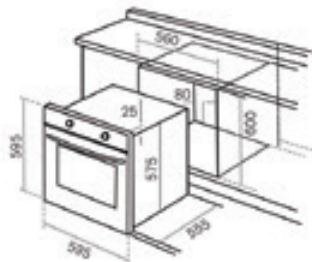
## Technical Info

Product Dimension (mm)  
594 W x 498 D x 594 H

**PWP**

[LP] WM : RM 1,600  
EM : RM 1,700

WM : **RM 1,438**  
EM : **RM 1,528**



- 70L Capacity
- 8 Functions
- A-Class Energy Efficiency
- 5 Shelves Side Support
- Quality 2-Layers Glass Door
- Cooling System
- Rotisserie & Turnspit

# RBO-LAVA-70SS

## Features

- Built-in Oven
- 8 Cooking Functions
- 70 L Capacity
- Mechanical Control Panel
- Oven Light
- Time Control
- Removable Door
- 5 Shelf Side Support
- Enamel Cavity Material
- A-Class Energy Efficiency

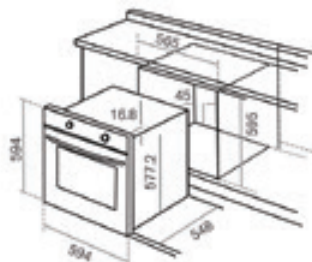
## Technical Info

Product Dimension (mm)  
595 W x 555 D x 595 H

**PWP**

[LP] WM : RM 2,050  
EM : RM 2,170

WM : **RM 1,848**  
EM : **RM 1,958**



- 70L Capacity
- 8 Functions
- A-Class Energy Efficiency
- 5 Shelves Side Support
- Quality 3-Layers Glass Door
- Cooling System
- Rotisserie & Turnspit
- Telescopic Runner

# RBO-IA8X-70SS

## Features

- Built-in Oven
- 8 Cooking Functions
- 70 L Capacity
- Mechanical + Digital Control Panel
- LCD Display
- Oven Light
- Time Control
- Removable Door
- 5 Shelf Side Support
- Enamel Cavity Material
- A-Class Energy Efficiency

## Technical Info

Product Dimension (mm)  
594 W x 548 D x 594 H

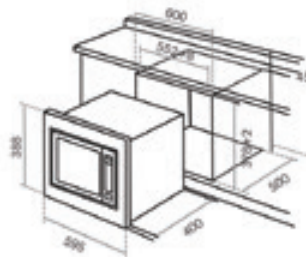
**PWP**

[LP] WM : RM 2,790  
EM : RM 2,960

WM : **RM 2,508**  
EM : **RM 2,658**



# BUILT-IN MICROWAVE



- 28L Capacity
- 8 Auto Menu
- Child Lock
- 30 Sec Quick Start
- Cooling System

## RMO-OREO-28BL

### Features

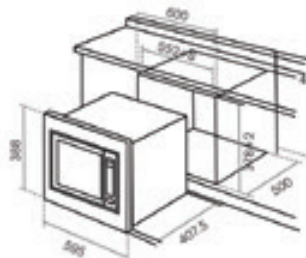
- Built-in Microwave with Grill
- 8 Auto Menu
- 28 L Capacity
- Electronic Control Panel
- LCD Display
- Oven Light
- Time Control
- Stainless Steel Cavity Material
- Child Lock

### Technical Info

Product Dimension (mm)  
595 W x 400 D x 388 H

[LP] WM : RM 1,400  
EM : RM 1,490

**PWP**  
WM : **RM 1,258**  
EM : RM 1,338



- 34L Capacity
- 8 Auto Menu
- Child Lock
- 30 Sec Quick Start
- Cooling System

## RMO-934SS-GD34X

### Features

- Built-in Microwave with Grill
- 8 Auto Menu
- 34 L Capacity
- Electronic Control Panel
- LCD Display
- Oven Light
- Time Control
- Stainless Steel Cavity Material
- Child Lock

### Technical Info

Product Dimension (mm)  
595 W x 407.5 D x 388 H

[LP] WM : RM 1,750  
EM : RM 1,860

**PWP**  
WM : **RM 1,578**  
EM : RM 1,668



## ONLINE REGISTRATION

- ① Log on to [www.rubine.com.my](http://www.rubine.com.my)
  - ② Click on 'Support', followed by 'Warranty Registration' to proceed. You're required to sign up as a member.
  - ③ Please fill up the necessary information, tick on the checkbox and click 'Sign Up'.
  - ④ You'll receive notification of warranty registration confirmation via email.
  - ⑤ Your warranty will be automatically extended for another 1 year upon online registration. Please keep your online warranty certificate for future services.
- \* Please find out from our authorized dealers for extended warranty!

## OUR WARRANTY



**6 YEARS OF WARRANTY**  
 APPLICABLE ON  
 HOOD MOTOR ONLY.



**5 YEARS OF WARRANTY**  
 APPLICABLE ON  
 TEMPERED GLASS OF GAS HOB ONLY.



**18 MONTHS OF STANDARD WARRANTY**  
 APPLICABLE ON ALL PRODUCTS  
 EXCLUDING ACCESSORIES.



**1 YEAR OF WARRANTY EXTENSION**  
 REGISTER ONLINE NOW AND GET  
 1 YEAR WARRANTY EXTENSION !

## CUSTOMER CARE & WAYS TO REACH TO US



### AFTER-SALES SERVICE

Contact: 03 – 6286 9000  
 Email: [eqservice@fiamma.com.my](mailto:eqservice@fiamma.com.my)



### OPERATION HOURS

08.30am – 06.00pm  
 Monday–Friday, except public holiday



### WAYS TO REACH US

Whenever you think of kitchen appliances, please pay a visit to your nearest Rubine store or find us online to get instant inquiry: [rubine.com.my](http://rubine.com.my)

\*Product images for illustration purposes only.





REDEFINE THE WAY OF LIFE

2024 V.2

[rubine.com.my](http://rubine.com.my)



FIAMMA TRADING SDN BHD 330471-P (A member of Fiamma Holdings Berhad)

2-1, Wisma Fiamma, No.20, Jalan 7A/62A, Bandar Manjalara, 52200 Kuala Lumpur.



[rubinemalaysia](https://www.facebook.com/rubinemalaysia)



03-6286 9000

