

# PRODUCT INFORMATION

**Eightfold Sdn Bhd** (775128-W)  
69-1, Jalan SS19/6, 47500 Subang Jaya,  
Selangor Darul Ehsan, Malaysia  
Tel: 03-5612 8169 Fax: 03-2726 8806  
www.eightfold.com.my



## C-TEC NC910/920 Call Controller

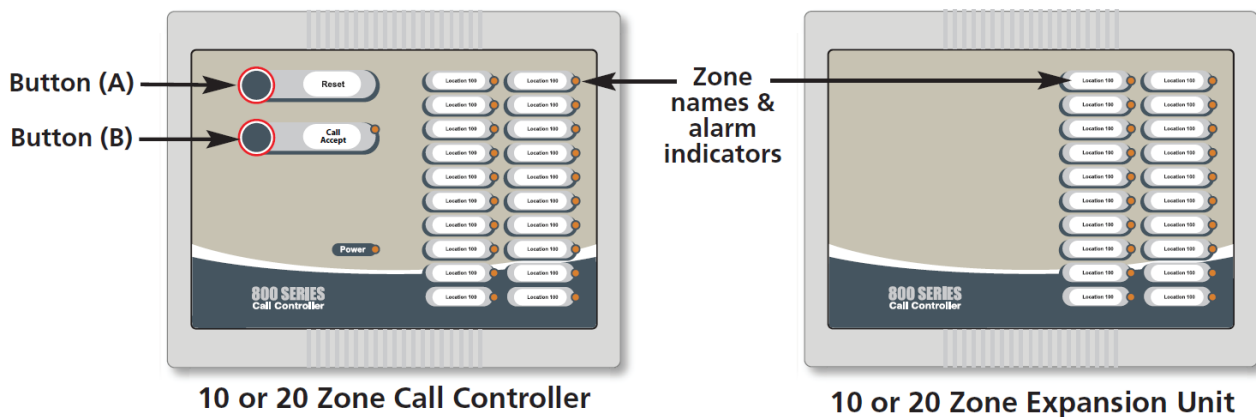
10 Zone Call Controller (NC910F, NC910S)  
10 Zone Expansion Unit (NC910EF, NC910ES)  
20 Zone Call Controller (NC920F, NC920S)  
20 Zone Expansion Unit (NC920EF, NC920ES)

“S” Surface mount

“F” Flash mount

“E” Expansion

The 10 and 20 Zone Call Controllers are compatible with all 800 Series call points, ceiling pulls, infrared ceiling receivers, monitoring points, overdoor lights and remote sounders. Depending on how the Controller is configured and the devices connected to it, both Standard and Emergency calls can be indicated at the Controller. Buttons (A) & (B) allow the user to Reset, Mute or Accept standard calls.



### Overview

Compatible with C-TEC's entire range of 800 Series field devices. Housed in an attractive flush mounting plastic enclosure measuring just 214mm x178mm Two call levels - standard (constant tone) and emergency (intermittent tone). Optional mute and call accept/reset buttons.

Call Accept functionality allows staff to send an intermittent call acknowledgment signal to calling zones to confirm help is on the way (dependent on wiring and field devices used). Includes a 12V 300mA PSU and 2 volt-free relay contacts which activate on a standard or emergency call. Innovative slide-in labelling system. Zones can be wired in 4 or 6 core (7/02) stranded security cable. Additional master controllers and expansion units available for use as repeaters on larger sites. Optional boxed PSUs c/w with space for a 12V VRLA battery available for sites where a standby battery facility is required.

### Operation

**STANDARD CALLS:** when triggered by a calling device, the Controller's internal buzzer sounds continuously and the relevant zone indicator(s) illuminate steady.

Pressing the Controller's **Reset** Button (A), if enabled, cancels all standard calls. **Note:** In certain circumstances there is a specific requirement for standard calls to be reset at their point of origin and in such applications this function should be disabled.

Pressing the Controller's **Mute** Button (B), if enabled, silences the Controller's internal buzzer. However, if a new call (standard or emergency) is triggered anywhere on the system, the buzzer will resound.

# PRODUCT INFORMATION

**Eightfold Sdn Bhd** (775128-W)  
69-1, Jalan SS19/6, 47500 Subang Jaya,  
Selangor Darul Ehsan, Malaysia  
Tel: 03-5612 8169 Fax: 03-2726 8806  
www.eightfold.com.my



Alternatively, instead of muting calls, Button (B) can be configured as a **Call Accept** Button. Pressing Call Accept sends a slow pulsing acknowledgement signal to overdoor lights and reset points c/w sounder, wired as shown in Fig. 3, page 5. Should a new call (standard or emergency) be triggered anywhere on the system, any zones in the acknowledgement state will revert to a standard call.

**EMERGENCY CALLS:** when triggered by a calling device, the Controller's internal buzzer pulses on and off and the relevant zone indicator(s) flash.

This level of call takes priority over standard calls and cannot be muted, accepted or reset at the Controller. An emergency call can only be reset at the device from which it was triggered or via a reset point, wired on the same zone.

## Technical Specifications

Mains supply	230V 50/60Hz. (36mA max. current).
Internal power supply	11V d.c. (300mA max. current when powered by Mains).
Quiescent current	0mA (none).
Alarm current	Determined by the number/type of field devices connected to the call controller/system
Auxiliary relays	2 volt free relay contacts (NO/C/NC). Activate when a standard or emergency call is received by the controller. Both relays rated at 30V d.c. @ 1A.
Auxiliary inputs	External PSU Input: 9V-15V d.c. @ 400mA (suitable for use with an NC951B 12V 1A boxed PSU which has space available for a 12V 7AH battery).
Indicators	Green Power on LED; 10 x red Zonal Alarm LEDs (lit steady for a Standard call, pulse for an Emergency call); Internal buzzer (on steady for any Standard call, intermittent for any Emergency call)
Controls	2 Buttons - (A) Reset or inactive ; (B) 'Mute' or 'Call Accept'. (Both buttons are link selectable). If Call Accept is selected indicators on relevant field devices will emit a slow intermittent tone to reassure users help is on the way.
Expansion connections	CONN2 allows the connection of 1 x NC910EF 10 Zone Expansion Unit or 1x NC920EF 20 Zone Expansion Unit.
Call acknowledgement functionality	Yes.
Product dimensions (mm)	214 W x 178 H x 70 D mm. Surface mounting.
Construction & finish	Plastic detachable lid and back box. RAL7035.
IP Rating	IP41.
Weight	1.27kg.
Operating conditions/temperature	-5°C to +40°C. Max. relative humidity 95% non-condensing.

# PRODUCT INFORMATION

**Eightfold Sdn Bhd (775128-W)**  
 69-1, Jalan SS19/6, 47500 Subang Jaya,  
 Selangor Darul Ehsan, Malaysia  
 Tel: 03-5612 8169 Fax: 03-2726 8806  
 www.eightfold.com.my



**Fig. 1 - Example System Overview and Typical Applications**

