



yarward

YHE-916S INTELLIGENT HEALTHCARE COMMUNICATION SYSTEM



Introductory video link:

Yarward 916S nurse call system Introduction

<https://www.youtube.com/watch?v=rLofcxV5EYY>

Yarward 916S System wiring

<https://www.youtube.com/watch?v=6KR-adRY348>

INTRODUCTION

YHE-916S Intelligent Healthcare Communication System consists of IP communication host based on IP networking, combined with two-wire signalling and power technologies to provide a responsive and cost-effective solution. The system supports *two-way voice intercom, digital message display, audible and visual alarm indications with optional connection to HIS to exchange patient information, room information and retrieve of medical charges.*

The system is best fit to nursing home, medical centre, diagnostic centre, confinement Centre, elderly home care, clinics etc.

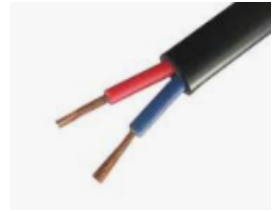
PRODUCT

Eightfold Sdn Bhd (775128-W)
69-1, Jalan SS19/6, 47500 Subang Jaya,
Selangor Darul Ehsan, Malaysia
Tel: 03-5612 8169
www.eightfold.com.my

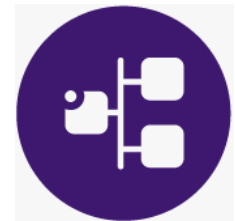


MAIN FEATURES

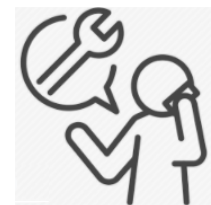
1. Patented technology to transmit data communication over power lines. Only two-wires system is required. The economic wiring system integrates the power line, data signal line and audio signal together thus enable high quality and reliable data transmission over an affordable wiring platform.
2. Patient information listing at nurse station with prominent interface and easily retrievable inpatient call statistics.
3. Staff assist function: Press "staff assist" button to call for other staff assistance.
4. Support substation units call-in and display at anytime.
5. Adjustable volume for both host and substation unit.
6. Editable bed number online: Numbering of the bedsides substations and corridor lights can be edited and changed anytime.
7. Staff registration station (door side sub-station) can be programmed to enable nurse presence, generate emergency call and reset the call.
8. Call reminder: In the event care givers did not answer a particular call in time, the message will be keep and the system will continuously remind care givers in line with calls queue.
9. Voice speech: voice broadcasting ward name and bed number. support alarm volume setting by different time segments.
10. Prioritise nursing care: system supports different nursing care level definition and prioritise the most critical and urgent case.
11. Optional corridor message display to improve visibility of important messages across the ward.
12. Broadcast function: support health and emergency information broadcasting, operator broadcasting and background music for special caring unit.
13. Offline operation: the system call, communication and alarm function continue to operate in the event of workstation or network failure.
14. Self diagnostic: Self diagnostic and faults screening and patrolling, includes host short circuit alarm, voltage and current testing, scheduled sub-stations inspection, system logging, abnormality analysis and recording, etc



Patented two wires
power line data
transmission
technology



IP Networking System
Quality



Local Technical
Support



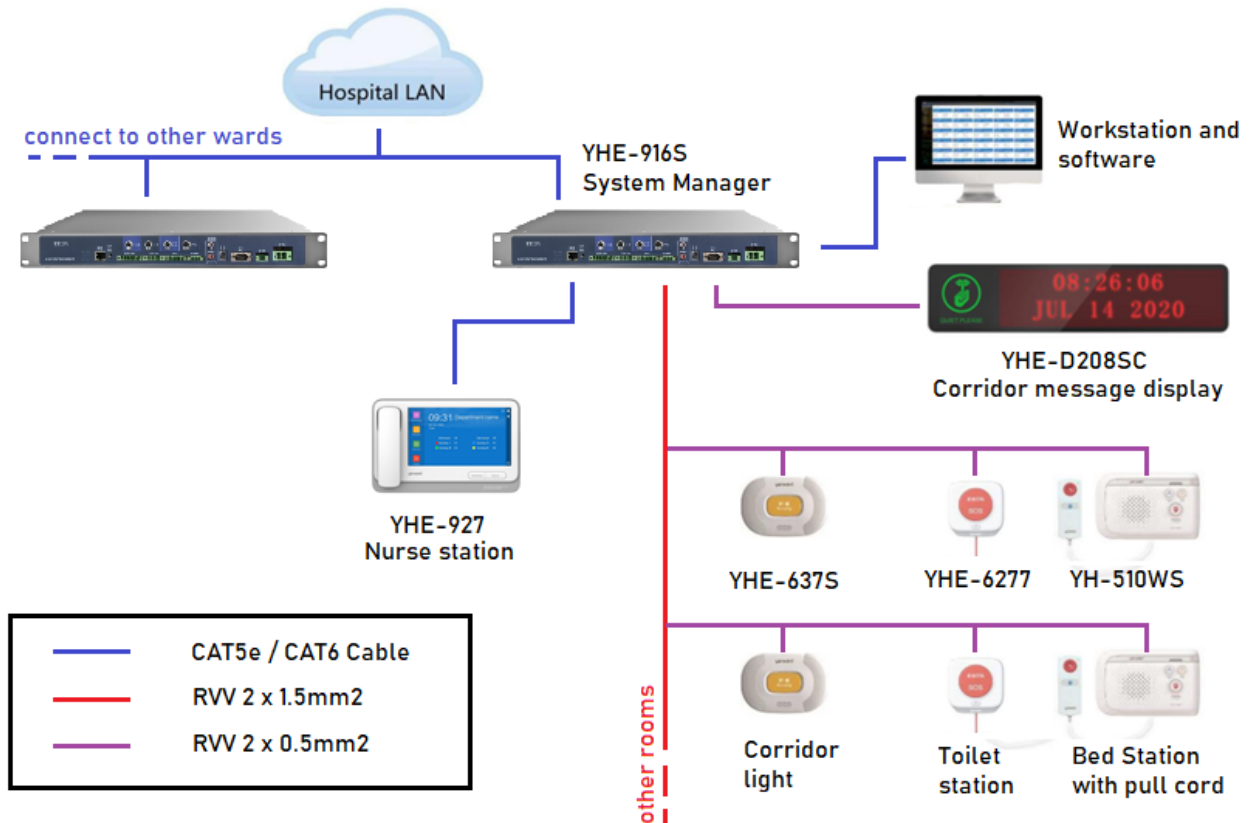
Warranty extendable
to 2 years
(Conditions apply)

Adopt the 4th generation power line digital signal transmission. Yarward R&D makes the communication speed between system manager and bed/toilet stations lifted by 6 fold.

Compare with traditional TCP/IP data communication, Yarward patented communication system is subjected to less interference and thus uplift communication stability. The critical message transmitted would not be interrupted even during a network failure.



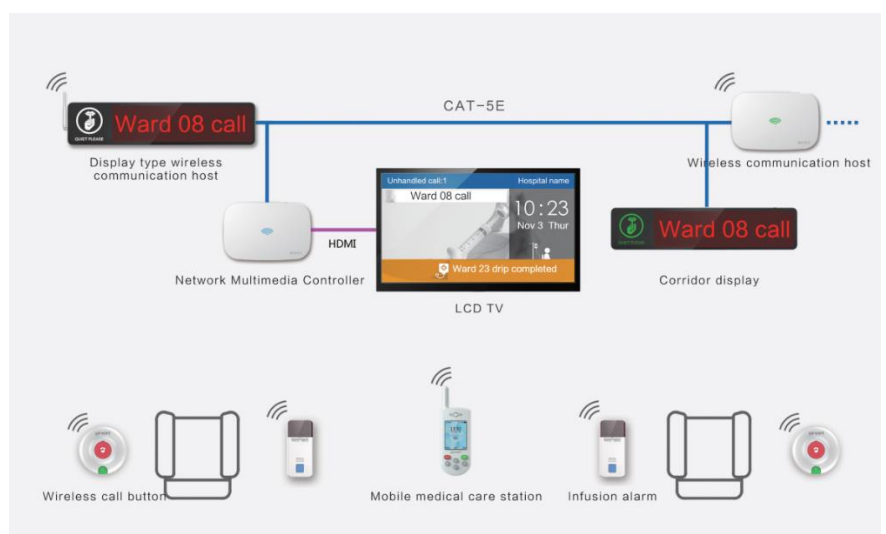
YHE-916S SYSTEM SCHEMATIC DIAGRAM



The system uses mainly two copper-core PVC insulated PVC sheathed soft wire (RVV, 1.5mm² and 0.5mm²) to connect all components except nurse station YHE-927 and workstation (if there is any). The System manager YHE-916S at different wards can be linked together to form a central managed nurse call network.

Future wireless system expansion

The system can expand coverage via wireless transceiver to facilitate functions for special groups such as fall management, elderly care and wandering management





YHE-916S INTELLIGENT HEALTHCARE COMMUNICATION HOST (SYSTEM MANAGER)



- Advance proprietary digital technology to integrate the power supply line, data signal line and voice in two cores wiring system. It makes the installation simpler while assuring system stability.
- Manage data exchange of the entire system, allocate necessary resources to respective substations and devices.
- Supply regulated power to connected devices and check real-time current/voltage at regular interval
- To ensure the main functions of the system such as call, alarm and voice intercom function will continue to operate in the event of PC or network failure.
- Serve as a power amplifier to allow high quality and clear audible alarm, even in noisy environment
- RJ45 networking port for information transmission through TCP/IP.
- Maximum communication range: 800m
- Maximum number of 927 connected: 20 nos
- Maximum number of devices connected: 200 nos
- Device dimension: L482mm x W250mm x H45mm

Lightweight software function

- It can meet the needs of nursing level statistics, hospital admission operation, patient information data enter, call message display and even logs export

Connect with HIS system

- Optional connection to HIS system to automatically update patient information and generate electronic listing. Improve nursing operation efficiency and help moving toward paperless operation.





YHE-927 MEDICAL CARE HOST (NURSE STATION)

- Desktop or wall mounted installation.
- 10.1" touch screen operation with summary admission and call info at default screen.
- Display high contrast call messages include room or bed number and optional voice reading. Support circulating and discrete message display for unattended or attending calls.
- Perform two-way voice intercom between nurse station and bed stations. Optional voice broadcasting function via circulating and discrete mode.



Screen size	10.1"
resolution	1024 x 600
Outline dimension	L322mm x W205mm x H58mm
Operation	Touch operation and button function

- The magnetic phone handle and surface finish of the device allow easy cleaning procedure, thus maintain a relatively higher level of hygiene.
- Call volume is adjustable and the sound level can be programmed individually in 4 different segments of the day.
- Hand free button is available to allow speech without pick up phone handle.
- Optional of health information display in standard or simplify mode.
- Routine backup of work log and circuit patrol to detect system fault
- Support remote software upgrade via workstation and server, with minimum impact to the system operation.

YHE-637S CORRIDOR LIGHT

- 25 colors corridor light to indicate normal call, emergency call, nurse presence, toilet call, request for emergency assistance, code blue and other nursing care situation.
- 138mm x 106mm x 27mm



PRODUCT

Eightfold Sdn Bhd (775128-W)
69-1, Jalan SS19/6, 47500 Subang Jaya,
Selangor Darul Ehsan, Malaysia
Tel: 03-5612 8169
www.eightfold.com.my



BEDSIDE STATION TH-510WS

- high quality speech module with speaker and three buttons operation;- call/cancel, nurse presence and staff assist.
- Alarm indicator light can be programmed in accordance with HTM 08-03 or any other colors indication to suit nursing operation needs. There are up to 25 colors options. The light can be disable at night.
- Supports Code Blue emergency call.
- Supports call transfer from other wards under special circumstances.
- Real time bed number edit with optional workstation in place
- Safety release socket at K9 patient handset to prevent



Bedside Station YH-510WS

YH-K9 Handset

YHE-6277 TOILET PULL STATION



**IP68 Rating
(submersible)**

- Come with Big call and small cancel button.
- Generate Highest priority emergency call. The call will trigger the correspondence visual and audible alarm.
- IP68 rating, can survive being submerged.
- Max. Power consumption: 0.5W
- 102mm x 105mm x 25mm, protrude thickness 12mm

YHE-W82 WIRELESS COMMUNICATION HOST

- Support two-way wireless data transmission. Use to convert the wired communication at ward / room level into wireless transmission.
- Each unit have 50 meters effective signal coverage
- 40 independently channels for pairing
- Dimension: 218mm x 143mm x 38mm

WIRELESS



PRODUCT

Eightfold Sdn Bhd (775128-W)
69-1, Jalan SS19/6, 47500 Subang Jaya,
Selangor Darul Ehsan, Malaysia
Tel: 03-5612 8169
www.eightfold.com.my



YHE-D208SC CORRIDOR DISPLAY



- Double side display, ceiling or wall mounted.
- Support 2 lines x 16 alphanumeric characters with dot matrix display
- Duplicate the call messages at the nurse station in circulation mode.
- Come with built-in speaker and support speech.
- Dimension: 826mm x 190mm x 53mm

YHE-X245K CORRIDOR DISPLAY



- Single / Double side, ceiling mounted.
- 4-Digits LED display in numeric numbering.
- PMMA acrylic panel engraving into one piece, with excellent and transparent display effect
- Duplicate the call messages at the nurse station in circulation mode.
- Max power consumption: 5W
- Dimension: 556mm x 215mm x 32mm

YHE-WR3 MOBILE MEDICAL STAFF UNIT



- Handy mobile gadget to allow instant communication among care givers and doctors via wireless transmission. The device helps streamline workflows, support faster responses and deliver context-rich information to mobile personnel.
- Built in battery last more than 24 hours, ensure constant operation throughout long shifts
- Big and simple LCD touch screen offers a clean user interface for managing calls, alerts, messages and other critical information.
- Call the nurse station and extension at any time to support reinforcement calls
- The reminding mode can be set to ring, vibration and mute. The call volume can be adjusted at multiple levels
- More than 40 communication channels are provided, each channel supports multiple wireless terminals
- Dimension: 116mm x 52mm x 18mm