

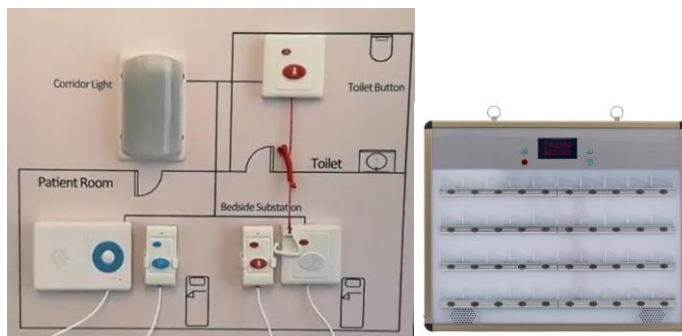


## ERACALL WIRED NURSE CALL SYSTEM

### Complete System Overview

**BASED ON 2 WIRES**

**ERACALL WIRED** is a low cost nurse call communications platform in providing the reliable and affordable nurse call solutions for the new health care industries. The installation is with 2 wires copper cable, made it maintenance friendly and long lasting.

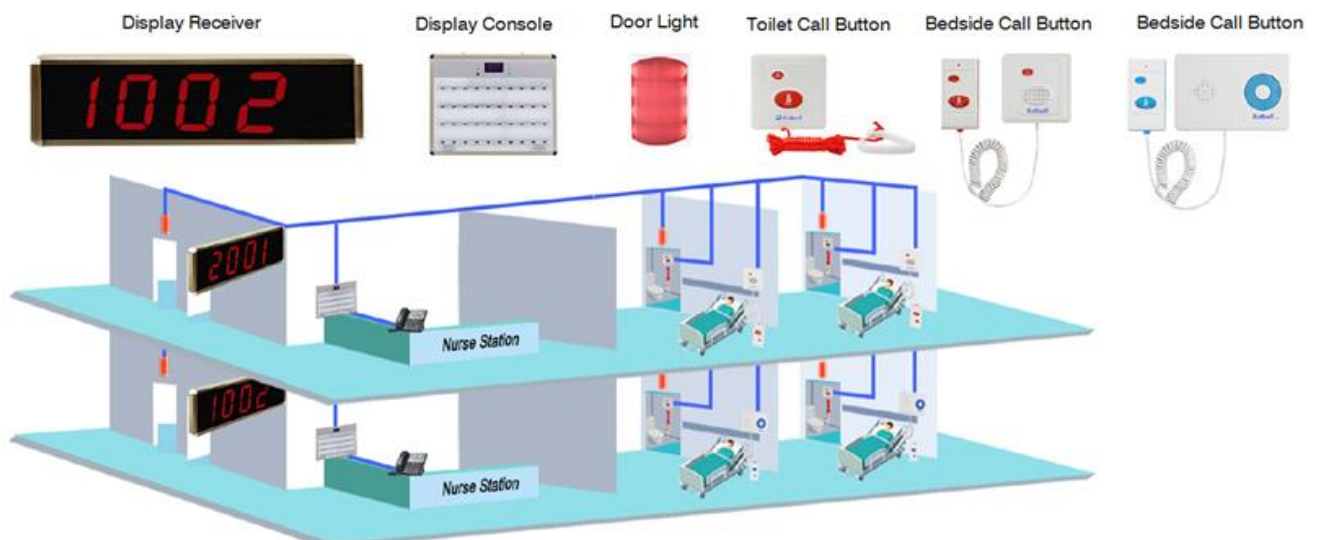


### FEATURES

- *Parts available for 10 years*
  - *One (1) year parts warranty*
  - *Easy maintenance*
  - *Simple is best. easy troubleshoot and maintenance*
  - *Clear voices without noise*
- Support 2-way intercom between patients and nurses by 2-wires connection
  - Clear messages and communication via 40 indicators & LED screen
  - Indicate all calls clearly and simultaneously
  - Capable to connect with normal telephone for quality intercom voices
  - Various programmable ringtones
  - Traceable call history
  - numerous tones and sound levels for setting of normal calling, SOS calling, code blue.
  - Power supply: 24V
  - Dimension: 485 x 390 x 28 mm

### Extreme Flexibility

The Eracall wired system is capable to work in standalone mode without a centralized control panel, thus reduce the overall system cost for small and medium healthcare facilities such as clinics, diagnostic, fertility, rehabilitation centres etc.



# PRODUCT

**Eightfold Sdn Bhd** (775128-W)  
69-1, Jalan SS19/6, 47500 Subang Jaya,  
Selangor Darul Ehsan, Malaysia  
Tel: 03-5612 8169  
www.eightfold.com.my



**EW-W220PH**



- Bedside Substation with Bed Head intercom & Cancel function
- Make call from Panel & Handset
- **Splash proof** with 2-meter spiral cable & handset
- Reassurance LED Light
- Bright RED Push Button (indicator with sign)
- Powered by Main Console EC-W40R
- 85 x 85 x 15mm (Panel Dimension)
- 43 x 85 x 20mm (Handset Dimension)

**EW-W221PH**



- Bedside Substation with Bed Head intercom & Cancel function
- Make call from Panel & Handset
- 2-meter spiral cable & handset
- Reassurance LED Light
- Bright RED Push Button (indicator with sign)
- Powered by Main Console EC-W40R
- 85 x 85 x 15mm (Panel Dimension)
- 43 x 85 x 20mm (Handset Dimension)

**EW-W220PT**



- Toilet call point with Pull Cord, call & cancel function
- 2 meters pull cord attach with Triangle Pull Cord handle
- Reassurance LED Light
- Bright RED Push Button (indicator with sign)
- Powered by Main Console EC-W40R
- Dimension: 85 x 85 x 15mm (Panel Dimension)

**EW-W430R**



- Show 4 digits calling number from substations
- Show current time when stand by Clear & large LED screen for long distance view
- Powered by 12V2A adaptor
- Dimension: 480x185x28mm

**EW-W400L**



- Display 1 out of 7 colors & ringtones
- Set volume loud/ small/ mute
- Powered by main Console EC-W40R. One main Console can work with 40pcs lights (max)
- Dimensions : 153 x 97 x 43mm
- Red, Yellow, Green, Blue ,White, Purple, Orange
- (Normal call / SOS call / Code blue)

**Telephone**



**Twisted pair wires**



**Relay Module EW-W100C**



Connect with Patient-call extensions and Single Line Telephone to do two-way intercom between patients and nurses.

Nurses can call back patients via dialing patients' room numbers.

Power 24V3A  
Working current <200mA  
Dimensions 200 x 130 x 40mm

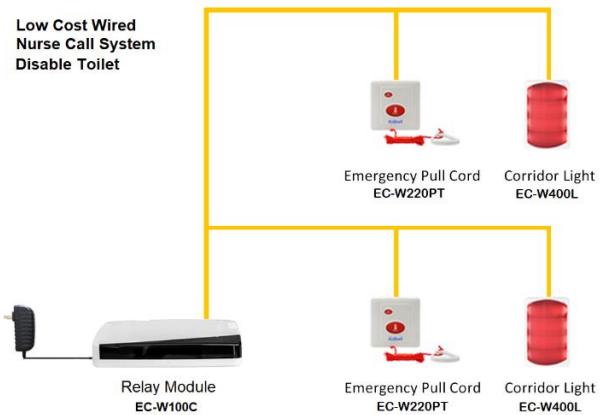
# PRODUCT

**Eightfold Sdn Bhd** (775128-W)  
 69-1, Jalan SS19/6, 47500 Subang Jaya,  
 Selangor Darul Ehsan, Malaysia  
 Tel: 03-5612 8169  
 www.eightfold.com.my



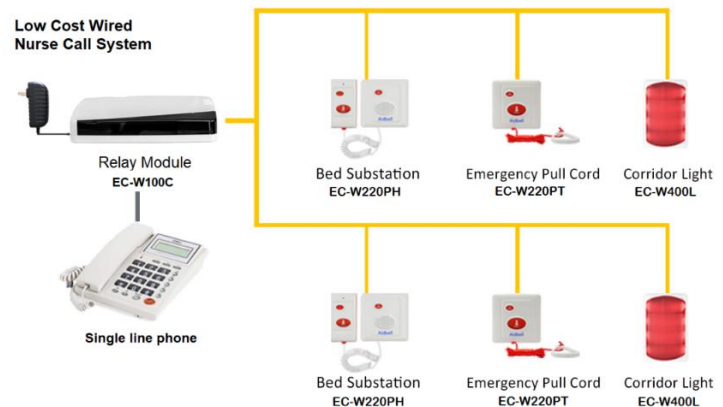
Example of a wired toilet emergency alarm system links emergency call buttons with emergency call buttons with overdoor lights via 2 wires connection.

Example: Hotel, school, shell station, factory etc.



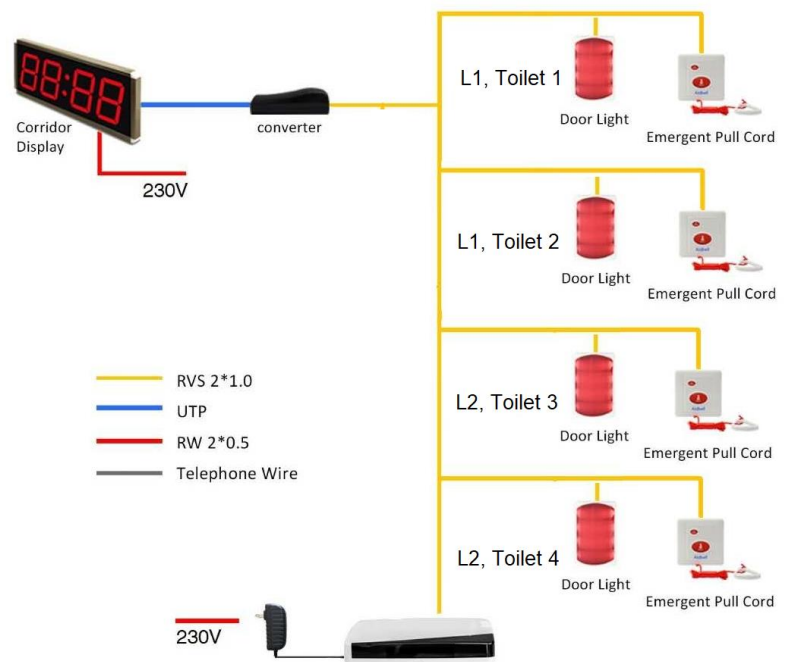
Example of a simple and low cost wired nurse call system with **speech function** links beds and toilets emergency call buttons with overdoor lights via 2 wires connection.

Example: Hospital, clinics



Example of a simple and low cost wired nurse call system monitor 4 toilets emergency call buttons with overdoor lights via 2 wires connection. No speech communication

Example: Hotel





## 2-Wired Nurse Call System Diagram

