

PRODUCT INFORMATION

Eightfold Sdn Bhd (200701017119)
69-1, Jalan SS19/6, 47500 Subang Jaya,
Selangor Darul Ehsan, Malaysia
Tel: 03-5612 8169
www.eightfold.com.my



WIRED ESB901B DISABLE TOILET EMERGENCY CALL SYSTEM

- MODEL: LIGHTHUB
- Regulatory compliance system to be use in disable toilet (OKU)
- Easy installation – two wires system with detail wiring diagram provided
- Braille marked control buttons
- c/w **Reset, Call Answered** and **Fault** LED indicators
- Internal Rechargeable Battery (back up 2-3 hours standby approx 15-20 mins continuous alarm)
- CE marked
- Competitive priced



Features:

- **COMPLETE SINGLE ZONE KIT** - Includes Main Control Panel, Remote Reset & Indicator Panel, Alarm Pull Cord Switch, Over Door Indicator & Sounder, Disabled WC Self-Adhesive label, Inactive Sticker (for disabling the RESET button) and M3.5 Socket screws.
- **REGULATION COMPLIANCE** - Assists in achieving compliance with the BS8300 requirement for an emergency assistance alarm, the Care Standards Act, the Disability Discrimination Act (DDA) and the English Tourism Council National Accessibility Scheme.
- **EASY TO INSTALL** - This product has been designed for the simplest installation possible. The four easy to fit components make up this complete kit. 2-wired system
- **BRAILLE MARKED** control buttons
- LED indicators and audio sound
- Call answer facility and reset button
- Volume control on panel
- Over discharge protection is built into the main panel
- Additional sounder terminal: 5-7Vdc

Kit Includes:

- 1 x Main Control Panel
- 1 x Remote Reset & Indicator Panel
- 1 x Alarm Pull Cord Switch
- 1 x Over Door Indicator & Sounder
Color:
ESB901B-B – BLUE
ESB901B-R – RED
- 1 x Disabled WC Self-Adhesive label
- 1 pack x M3.5 Socket screws
- 1 x 9V Rechargeable battery



Specification:

Power supply	230Vac / 50Hz	Mains Fuse required	3 Amp
Earth Class	Class I (Must be Earthed)	Internal PCB Fuse	1 Amp
Operating Temp	5°C to 40°C (indoor use only)	Backup Battery	Ni-MH 9V 250mAh rechargeable
Construction	PVC	Battery Run Time	Standby: 2 hrs / Alarm: 20 mins
Dimensions:		Noise Level:	
Main Control Panel:	147 x 86.5 x 35mm	Main Control Panel	67dB (adjustable)
Remote Control Panel:	86.5 x 86.5 x 13mm	Remote Reset Panel	67dB
Over Door Indicator:	86.5 x 86.5 x 38mm	Over Door Indicator	80dB
Pull Cord Switch:	89.5mm dia. x 26.5mm		

Regulations Compliance: BS8300-2:2018/EN60950-1+A2:2013

PRODUCT INFORMATION

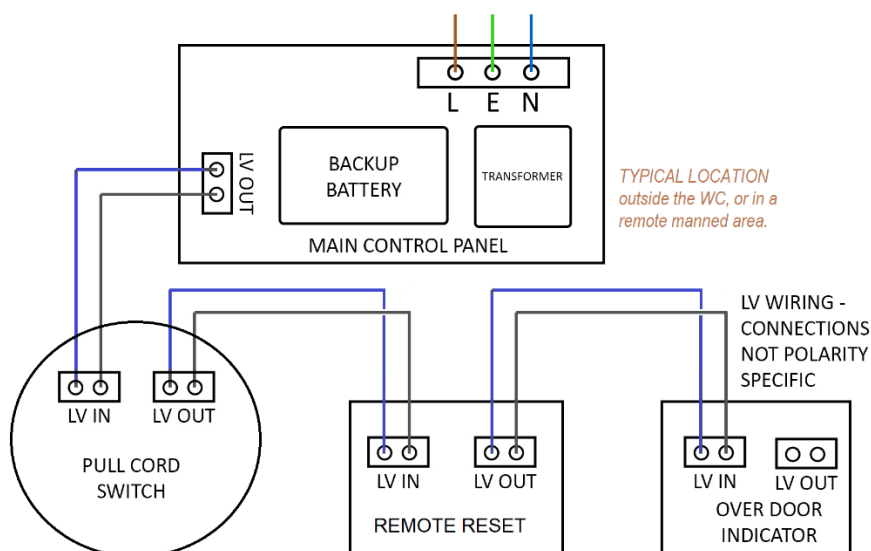
Eightfold Sdn Bhd (200701017119)
 69-1, Jalan SS19/6, 47500 Subang Jaya,
 Selangor Darul Ehsan, Malaysia
 Tel: 03-5612 8169
 www.eightfold.com.my



OPERATION:

ESB901B disabled toilet single zone alarm kit allows a person in distress to raise an alarm and request assistance in the event of an emergency. The system is setup so that the Pull Cord and the Remote Reset & Indicator Panel are located next to the toilet in the disabled WC. The Main Control Panel is located in a staffed area, where it is both visible and audible to the responsible person on duty. When the alarm is activated, the staff member can press the “Call Answered” button to inform the person in distress that assistance is on the way. The LED indicator on the Remote Reset & Indicator Panel will become illuminated and tone/frequency of the alarm will decrease. The alarm can also be reset from the Remote Reset & Indicator Panel. The Over Door Indicator & Sounder can be installed over the door of the disabled WC to draw further attention to the location of the person in distress.

INSTALLATION GUIDE:



* Wiring with 0.75/1.0mm² 2-cores alarm cable

