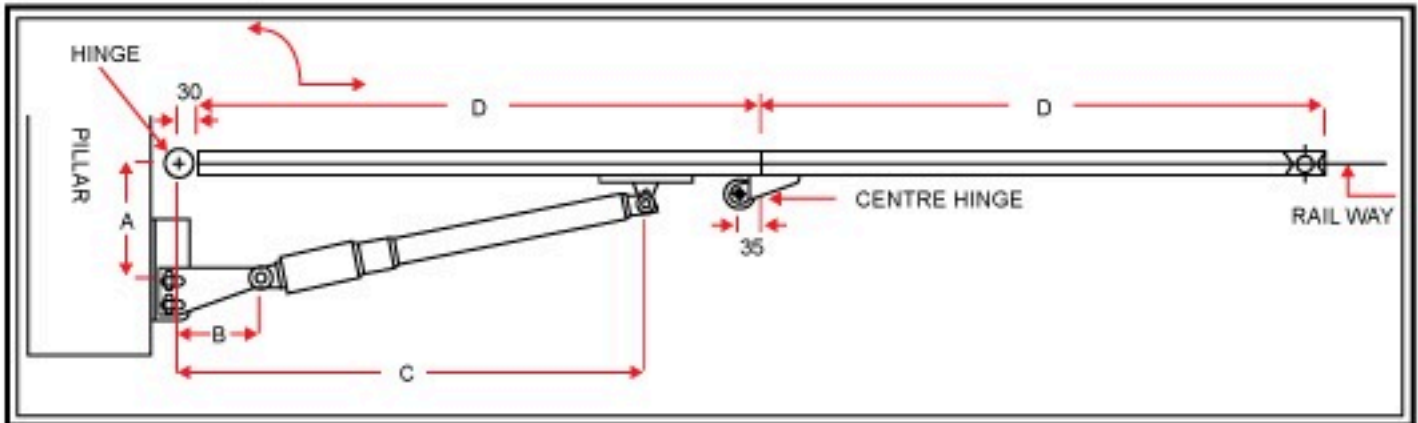
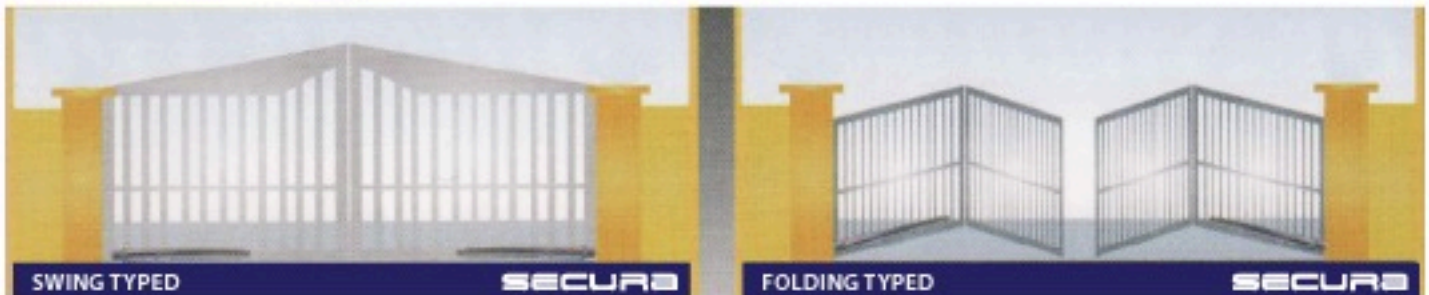
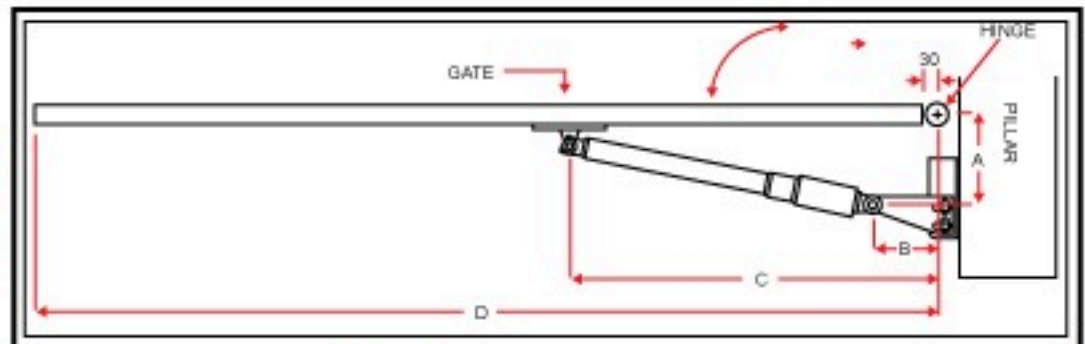


DIMENSION GUIDE TO INSTALL A FOLDING GATE



DIMENSION GUIDE TO INSTALL A SWING GATE

- A** 165mm ~ 180mm
- B** 128mm ~ 140mm
- C** 816mm ~ 837mm
- D** Min 1000mm



TECHNICAL SPECIFICATIONS:

MODEL	G680
OPERATING VOLTAGE	24VDC for normal speed 12VDC for cushioning speed
DRIVING METHOD	4 starts screw driven piston typed
MAX. PISTON DISPLACE	320mm
PISTON SPEED	28mm / sec.
GEAR BOX	Three stages planetary reducer
MAX. LENGTH OF GATE	5 meters per wing
MAX. WEIGHT OF GATE	400Kgs, per wing
SAFETY CLUTH	Electronic contoller current sensing
CONTROLLER DEVICE	Micro-computer based
BACK-UP BATTERY	12V 7AH Rechargeable
AMBIENT TEMPERATURE	0 to 80°C