

SECURA
SECURITY ALARM SYSTEM

INSTALLER MANUAL

MODEL: S25V

V : 3.3

Contents

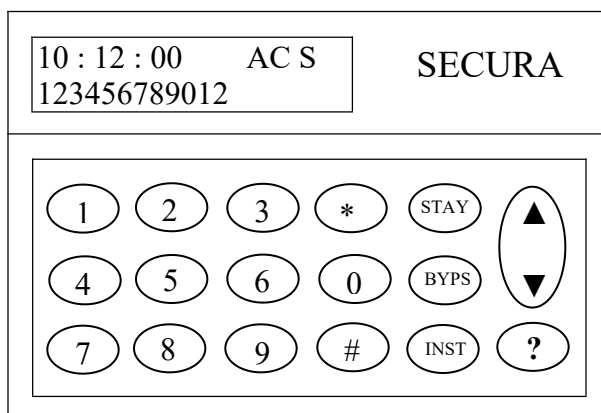
Introduction The Secura Security Alarm System -----	[4]
LCD Display Description -----	[4]
Master / User Codes -----	[4]
Info Key -----	[5]
Installer Code -----	[5]
Arming -----	[5]
Instant Stay Arming -----	[5]
Instant Arming -----	[6]
Stay Arming -----	[6]
Quick Arming -----	[6]
Quick Instant Stay Arming -----	[6]
Quick Stay Arming -----	[6]
Disarming / Stopping The Alarm -----	[6]
Zone Bypassing -----	[6]
PGM Output Activation / Deactivation (Mono – Stable / Bi – Stable) -----	[6]
System Troubles Display -----	[7]
Memory Display -----	[7]
Chime Feature On / Off -----	[7]
Program / Modify User Codes -----	[7]
Selective Erasure Of User Codes -----	[7]
Erasure Of All User Codes (Except The Master Code) -----	[8]
Cancellation Of Phone Communication -----	[8]
Programming The Phone Number -----	[8]
Selective Erasure Of Phone Number -----	[8]
Erasure Of All Phone Number -----	[8]
System Date and Time Programming -----	[8]
Keypad Special Alarms (By Pressing 2 Keys) -----	[9]
Section [00]: Zone Programming -----	[9]
Section [06]: Zone Fast Response Time Setup -----	[11]
Section [07]: Zone Response Time -----	[11]
Section [08]: Set Of Option -----	[12]
Section [09]: Set Of Option -----	[12]
Section [10]: Set Of Option -----	[13]
Section [11]: Split / Double Reporting Options for CMS1 and CMS2 -----	[13]
Section [12]: Entry Time / Exit Time -----	[13]
Section [13]: Burglary / Fire Bell Cut Off Times -----	[14]
Section [14]: AC Power Loss Transmission Delay -----	[14]
Section [15]: Activation Time For Mono – Stable PGMs -----	[14]

Section [16]: Installer Code Changing -----	[14]
Section [17]: Modification Of The Master Code -----	[15]
Section [18]: Ring Number For The System Answers -----	[15]
Section [19]: Voice Transmission Duration -----	[15]
Section [20]: Number Of Dialing Sequences -----	[15]
Section [22]: Programmable Output For PGM1 & PGM2 -----	[15]
Section [24]: First Phone Number For CMS -----	[16]
Section [25]: Second Phone Number For CMS -----	[16]
Section [26]: Panel Account Number For CMS -----	[16]
Section [27]: Event For CMS Transmission -----	[17]
Section [28]: Event For CMS Transmission -----	[17]
Section [29]: Event For CMS Transmission -----	[18]
Section [30]: Event For CMS Transmission -----	[18]
Section [31]: Event For CMS Transmission -----	[18]
Section [34]: Daily Test Time Setting -----	[19]
Section [35]: Cancellation Of Phone Communication -----	[19]
Section [36]: CMS Communication Test -----	[19]
Section [37]: Walk Test -----	[20]
System Call Out / Call In To System - Without Voice Module -----	[20]
System Call Out / Call In To System - With Voice Module -----	[21]
Technical Specifications -----	[22]
Reset To Default Procedure -----	[22]
General Mounting Diagram For System Board -----	[23]
Automation / External Module Connection -----	[24]
Warranty Of Secura Security Alarm System -----	[27]
Note -----	[27]

INTRODUCTION THE SECURA SECURITY ALARM SYSTEM

The Secura Security Alarm System is manufactured to the highest specification and will provide many years of service if correctly installed and maintained. The unit is designed for simple operation to provide the maximum protection for you, your family or business.

LCD DISPLAY DESCRIPTION



Within the protected area, up to 4 keypads can be installed, LCD will light up for 10 seconds when a keypad key is pressed and will automatically cut off light if no key is pressed after 10 seconds. The LCD displaying clock in 24 hours format, system status “ACDS” and zone open / close status, the meaning of ACDS are :-

Character	Descriptions
A	System Armed
C	Chime Enabled
D	System Disarmed
S	System Troubled

MASTER AND USER CODES

The 1st User code (Master code): programmed (1234) by default

The allowed operations for the Master code are: Arming, Disarming, Bypassing / Un-bypassing zones, Program / Delete user codes, Program / Delete phone number, Set system date and time.

The 2nd – 14th User codes: not programmed by default.

Allowed operations: Arming, Disarming, Bypassing / Un-bypassing zones

User code 15th has the Ambush capability and is not programmed by default.

In case the system is connected to a CMS by means of a phone line, it will transmit this special code to the CMS as under threat.

INFO KEY – [?]

User can press the INFO KEY [?] and use [▲] or [▼] arrow key to browse a quick key reference as below. Press [#] key to exit.

website
*0 – Quick Arm
*1 – Quick I / S Arm
*2 – Quick S Arm
*3 – 1 or 2 PGM1 or 2 On / Off
*4 – System Status
*5 – Event Memory
*6 – Chime En / Disable
*7 – [Code] – Mast. Setup
1+3 Emergency
4+6 Panic
7+9 Fire

INSTALLER CODE – [2525]

This code gives total access to the system – programming menu, but no access to the user function. The installer code is (2525) by default.

The panel parameters are programmed using this code, through [*][8][Installer code] command, only possible when the control panel is disarmed.

ARMING – [CODE]

After entering a valid user code, LCD will be indicated “Armed” for a second and the keypad buzzer will sound beeps. The “A” will be shown at the corner of LCD, if there are any User bypassed zone in the system, the “X” will be lit.

INSTANT STAY ARMING – [INST][STAY][CODE]

In this arming mode, upon expiry of the exit time, the zone programmed as entry / exit (delayed) type will trigger the alarm as soon as they are violated.

If there are zones that have the Stay attribute enabled by programming (or if there are user-bypassed zones in the system) the “X” will be displayed at the LCD.

INSTANT ARMING – [INST][CODE]

In this arming mode, the zone programmed as entry / exit (delayed) type and zones that have the Stay attribute enabled by programming will trigger the alarm as soon as they are violated.

STAY ARMING – [STAY][CODE]

In this arming mode, the entry / exit type (delayed) will function as usual. If violated during arming, they will trigger the alarm unless a valid code is entered.

If there are zones that have the Stay attribute enabled by programming (or if there are user-bypassed zones in the system) the “X” will be displayed at the LCD.

QUICK ARMING – [*][0]

Quick arming functions allow the system to be quickly armed by User who may not own a user code. After that, the user must leave the premises before the exit time has expired.

QUICK INSTANT STAY ARMING – [*][1]

This arming type is similar to INSTANT STAY ARMING.

QUICK STAY ARMING – [*][2]

This arming type is similar to STAY ARMING.

DISARMING / STOPPING THE ALARM – [CODE]

When an entry / exit zone is violated, the keypad buzzer will sound beeps during the entry time, reminding the User that the system must be disarmed using Master code or User code.

ZONE BYPASSING – [BYPS][CODE]

To bypass a zone press the zone number will turn off. To un-bypass a zone, press the zone number again.

Note: Zone 10 = 0, Zone 11 = (Press key * 1) and Zone 12 = (Press key * 2)

Exit zone bypass mode by pressing [#] key.

PGM OUTPUT ACTIVATION / DEACTIVATION (Mono-stable / Bi-stable) –
[*][3][1] & [*][3][2]

The PGM1 or PGM2 output programmed as mono-stable, will be actives for the time lapse programmed in SECTION [15].

If the PGM1 or PGM2 output programmed as bi-stable, will change its status from activated to de-activated, and vice versa.

Note: [*][3][1] for PGM1 and [*][3][2] for PGM2.

SYSTEM TROUBLES DISPLAY – [*][4]

The system permanently monitors several internal conditions for its proper functioning, such as:

Item	System Troubles
1	Battery low voltage
2	AC power loss
3	Unsuccessful phone communication
4	Date and time not programming
5	Bell trouble

If any system trouble, “S” shown on LCD display and will be disappeared all problems are fixed.

Exit system trouble display by pressing [#] key.

MEMORY DISPLAY – [*][5]

To view the User program / modify the system or alarms occurred in the system by pressing the key [▲] or [▼] to scroll, you can see the next event occurred up to 448 events.

Exit the Alarm Memory Display mode by pressing [#] key.

CHIME FEATURE ON / OFF – [*][6]

Once the Chime feature is enabled, the “C” will be displayed at right corner of the LCD and if any zone opened the keypad buzzer will sound beeps.

PROGRAM / MODIFY USER CODES (01-15) – [*][7][MASTER CODE]

After entering the commands, the “Mast. Setup No#” is displayed followed by 3 beeps, select the User from 01 to 15 for new code.

Note: [01] is Master code and [02 – 15] is User code.

Exit the Master Setup Number by pressing [#] key.

SELECTIVE ERASURE OF USER CODES – [*][7][MASTER CODE][3][0]

After entering the commands, the “Mast. Setup No#30 Erase User#” is displayed followed by 3 beeps.

Erase the selected user code by entering the 2 digits from 02 to 15 then press [*] key to confirm.

Exit the Master Setup Number by pressing [#] key.

ERASURE OF ALL USER CODES (EXCEPT THE MASTER CODE) –
[*][7][MASTERCODE][3][1]

After entering the commands, the “Erase All Users * to confirm?” is displayed followed by 3 beeps then press [*] key to erase all users code in system.

Exit the Master Setup Number by pressing [#] key.

CANCELLATION OF PHONE COMMUNICATION – [*][7][MASTER CODE][4][9]

This command allows the User to cut off any phone communication when carrying out a test.

PROGRAMMING THE PHONE NUMBER – [*][7][MASTER CODE][51...54]

After entering the commands, the “User Phone Num1” is displayed followed by 3 beeps, enter [51] for 1st user phone number to [54] for 4th user phone number.

Note: [*][1] for home prepaid line and [9][*][3] for key phone setting.

EX: * 3172527 for home prepaid setting – [*][1][3][1][7][2][5][2][7]
93172527 for key phone setting – [9][*][3][3][1][7][2][5][2][7]

Exit the Master Setup Number by pressing [#] key.

SELECTIVE ERASURE OF PHONE NUMBER – [*][7][MASTER CODE][51...54][*][5]

After entering the commands, the “User Phone Num1” is displayed followed by 3 beeps then select the phone number you want to erase and pressing [*][5] keys.

Exit the Master Setup Number by pressing [#] key.

ERASURE OF ALL PHONE NUMBERS – [*][7][MASTER CODE][5][0][*]

After entering the commands, the “Erase All Phone# * to confirm?” is displayed followed by 3 beeps then press [*] key to erase all phone numbers in the system.

Exit the Master Setup Number by pressing [#] key.

SYSTEM DATE AND TIME PROGRAMMING – [*][7][MASTER CODE][6][0]

After entering the commands, the “Set Date&Time#60” is displayed followed by 3 beeps. To program / modify the date and time of the system follow the format: [yymmdd] first page and [hhmmss] second page. Each 2 digit group represents the year, month, day for [yymmdd] and hour, minute, second [hhmmss].

Exit the Master Setup Number by pressing [#] key.

KEYPAD SPECIAL ALARMS (BY PRESSING 2 KEYS)– [1]+[3], [4]+[6] AND [7]+[9]

System will send a reporting code to the CMS and phone call with a voice message or synthesis sounds, according to these events: Panic Alarm [4]+[6], Medical Alarm [1]+[3], Fire Alarm [7]+[9] by pressing a combination of keys from keypad.

SECTION [00]: ZONE PROGRAMMING – [*][8][INSTALLER CODE][0][0]

After the command has been entered, the “Zone Setup #00” is displayed, followed by 3 beeps waiting for zone number and zone type number to be entered.

Select one of the zones from [01] to [12] then followed by zone type according to the table below:

Zone types table:

Zone	Descriptions
[01] – Delayed zone	A delayed zone is usually used for entry / exit doors.
[02] – Follower zone.	The follower zones are generally used for the interior motion detectors and follow the system’s programmed exit time and alarm will not be generated instantly.
[03] – Instant zone.	Instant zone is not active during the exit time but they will generate the alarm as soon as they are violated after the exit time has expired.
[04] – 24 hour zone.	This zone type is useful for the connection of glass-break detector.
[05] – Phone Cut Detection zone.	The Phone cut detection zone is a one minute delayed time. If the zone is restored within a minute, alarm will not be triggered.
[10] – 24 hour Tamper zone.	This zone type is useful for the connection of tamper contact in the system to prevent any sabotage attempt after the system installation and commissioning.
[11] – 24 hour Panic zone.	This zone type is useful for connection of panic button for a specific event to occur in emergency situations.
[12] – 24 hour Fire zone.	This zone type is useful for the connection of smoke and heat detector.
[13] – 24 hour Medical Emergency zone.	This zone type is useful for the connection of emergency button for a specific event to occur in emergency situations.
[14] – Key switch zone. (Pulse)	The system will be armed or disarmed if connected to RF remote control unit.
[15] – Pre warning zone.	Any violation of this zone will make the siren sound half second when system is armed and no alarm will occur.
[16] – Key switch zone. (Latch)	The system will be armed when zone close and disarmed when zone open.

After 2 digits number corresponding to the desired zone type has been entered, the displaying of the attributes 1 to 8 can be enabled / disabled based on the corresponding numbers on / off status.

Zone attributes table:

Attribute	ON	OFF	Descriptions
1	Audible alarm	Silent alarm	An alarm triggered by an audible zone activates the siren, while an alarm triggered by a silent zone does not activate the siren.
2	Steady siren	Pulsing siren	A zone with steady siren attribute activates the steady siren output for the time lapse, while a pulsing siren zone activates the pulsing siren output for the same time lapse.
3	Enable Bypass	Disable Bypass	A zone having the bypass attribute enabled is allowed to be bypassed by one of the command.
4	Enable Swinger shutdown	Disable Swinger shutdown	If the attribute Swinger shutdown is enabled the respective zone will automatically be bypassed by the system after 3 restorations.
5	Forced arming	No Force arming	A zone with the Forced arming attribute enabled will allow arming during zone open.
6	Activate Chime	Un-active Chime	A zone having the Chime attribute enabled will make the keypad buzzer sound beeps.
7	Stay zone	Perimeter zone	A zone having the Stay attribute enabled is an interior zone, which will automatically be bypassed by the system.
8	Normally Close (NC)	Normally Open (NO)	It will toggle from open to close or vice versa when they are pressed.

Attributes available according to zone types:

Zone Types	1 Audible / Silent	2 Steady / Pulsing	3 Bypass	4 Swinger Shutdown	5 Forced Arming	6 Chime	7 Stay	8 NC / NO
[01] - Delay	√	√	√	√	√	√	√	√
[02] - Follower	√	√	√	√	√	√	√	√
[03] - Instant	√	√	√	√	√	√	√	√
[04] - 24h zone	√	√	√	√	√	-	-	√
[05] - Phone cut	√	√	√	√	√	-	-	√
[10] - Tamper	√	√	√	√	√	-	-	√
[11] - Panic	√	√	√	√	√	-	-	√
[12] - Fire	-	-	√	√	√	-	-	√
[13] - Medical	√	√	√	√	√	-	-	√
[14] - Key switch (Pulse)	-	-	-	-	-	-	-	√
[15] - Pre warning	-	-	-	-	-	-	-	√
[16] - Key switch (Latch)	-	-	-	-	-	-	-	√

Note:

- 1) “√” the value set by programming for the respective attribute is available for the corresponding zone type.
- 2) “-“ the value set by programming for the respective attribute is not applicable to the respective zone type, although programmed as enabled.

Default values of the zone types for zone 1 to 12.

Zone type	Zone number	Attributes (1 – 8)
[01] - Delayed	Zone 1	Audible, Steady, Bypass, Swinger Shutdown, Forced Arming, Chime, NC
[03] - Instant	Zone 2 to 11	Audible, Steady, Bypass, Swinger Shutdown, Forced Arming, Chime, NC
[10] - Tamper	Zone 12	Audible, Steady, Bypass, Swinger Shutdown, Forced Arming, NC

Ex: [*][8][2525][00][01][03](Attribute)

Installer code is [*][8][2525] – SECTION is 00 – Zone number is 01 – Zone type is 03 (Instant)

Exit the Installer Setup Number by pressing [#] key.

SECTION [06]: ZONE SENSITIVIES SETUP – [*][8][INSTALLER CODE][0][6]

After the command has been entered, the “Inst. Setup No#06 and Fast Z.Resp#20” is displayed followed by 3 beeps. If any zone(s) are turn on in SECTION [07]. The response speed of the zones will refer to the value being set in this section. The zone fast response time can be entered from 05 to 30 which stand for 50ms to 300ms.

The default zone response time is 20.

Exit the Installer Setup Number by pressing [#] key.

SECTION [07]: ZONE RESPONSE SETUP – [*][8][INSTALLER CODE][0][7]

After the command has been entered, the “Z. Response T #07” is displayed followed by 3 beeps. To turn on any zone, press the corresponding key from 1 to 12 and the zone will turn on or off accordingly.

Ex: [1■34■678■0■2] means zone 2, 5, 9 and 11 off are set to the slowest zone response time (about 300ms) while zone 1,3,4,6,7,8,10,12 have the fast response time at SECTION [06].

Note: Zone 10 = 0, Zone 11 = (Press key * 1) and Zone 12 = (Press key * 2)

The system default is slow response for all zones.

Exit the Installer Setup Number by pressing [#] key.

SECTION [08]: SET OF OPTION – [*][8][INSTALLER CODE][0][8]

After entering the commands, the “System Option#08” and number 1 to 8 will be displayed followed by 3 beeps accordingly to the table bellow:

Number	ON	OFF
1	Keypad lockout after 10 invalid codes.	* Disable keypad lockout after 10 invalid codes.
2	* Siren beep when key-switch arm / disarm.	Disable siren beep when key-switch arm / disarm.
3	Restores zones when closing each zone.	* Restores zones after the siren timer has expired.
4	* 4 digit codes.	6 digit codes.
5	* Sound beeps during the exit time.	Disable sound beeps during the exit time.
6	* Allows reset to default.	Disable allows reset to default.
7	* Sound beeps during the entry time.	Disable sound beeps during the exit time.
8	Enable keypad buzzer during alarm.	* Disable keypad buzzer during alarm.

Note: The default programmed options have the sign *

To enable / disable any option, press the corresponding key from 1 to 8.

The default is [■2■4567■] means 1, 3 and 8 are disabled.

Exit the Installer Setup Number by pressing [#] key.

SECTION [09]: SET OF OPTION – [*][8][INSTALLER CODE][0][9]

After entering the commands, the “System Option#09” and number 1 to 8 will be displayed followed by 3 beeps according to the table below:

Number	ON	OFF
1	* Quick arming.	Disable Quick arming.
2	Quick instant stay arming.	* Disable Quick instant stay arming.
3	Quick stay arming.	* Disable Quick stay arming.
4	Enable cancellation of bypass when disarm.	* Disable cancellation of bypass when disarm.
5	* Panic [4] + [6] activates siren.	Disable Panic [4] + [6] activates siren.
6	* Emergency [1] + [3] activates siren.	Disable Emergency [1] + [3] activates siren.
7	Reserved.	* Reserved.
8	Reserved.	* Reserved.

Note: The default programmed options have the sign *

To enable / disable any option, press the corresponding key from 1 to 8.

The default is [1■■■■56■■] means 2, 3, 4, 7 and 8 are disabled.

Exit the Installer Setup Number by pressing [#] key.

SECTION [10]: SET OF OPTION – [*][8][INSTALLER CODE][1][0]

After entering the commands, the “System option#10” and number 1 to 8 will be displayed followed by 3 beeps accordingly to the table bellow:

Number	ON	OFF
1	CMS reporting	* Disable CMS reporting.
2	Phone calls reporting.	* Disable Phone calls reporting.
3	Enable voice module.	* Disable voice module.
4	System answer calls.	* Disable system answer calls.
5	Pulse dialing.	* DTMF dialing.
6	Double call answer.	* Answers by rings number.
7	* Alternate reporting (CMS).	Split (or double) reporting (CMS).
8	AC loss reporting.	* Disable AC loss reporting.

Note: The default programmed options have the sign *

To enable / disable any option, press the corresponding key from 1 to 8.

The default is [■■■■■■■7■] means 1, 2, 3, 4, 5, 6 and 8 are disabled.

Note: If double call option is selected, the first call must have at least 2 rings and the second call should occur at least 10 seconds after the first call ended but no later than 60 seconds.

Exit the Installer Setup Number by pressing [#] key.

SECTION [11] – SPLIT / REPORTING OPTIONS FOR CMS1 and CMS2 –
[*][8][INSTALLER CODE][1][1]

After entering the commands, the “System Option#11” and number 1 to 8 will be displayed, followed by 3 beeps according to the table below:

Number	ON	OFF
1	* Transmits alarms & restores, ambush and panic to CMS1.	Disable
2	* Transmits arm / disarm / bypass to CMS1.	Disable
3	* Transmits tamper, trouble / restore and daily test to CMS1.	Disable
4	* Transmits fire, emergency to CMS1.	Disable
5	* Transmits alarms & restores, ambush and panic to CMS2.	Disable
6	* Transmits arm / disarm / bypass to CMS2.	Disable
7	* Transmits tamper, trouble / restore and daily test to CMS2.	Disable
8	* Transmits fire, emergency to CMS2.	Disable

Note: The default programmed options have the sign *

To enable / disable any option, press the corresponding key from 1 to 8.

The default is [12345678] means 1, 2, 3, 4, 5, 6, 7 and 8 are enabled.

Exit the Installer Setup Number by pressing [#] key.

SECTION [12]: ENTRY TIME / EXIT TIME – [*][8][INSTALLER CODE][1][2]

After entering the commands, the “Entry/Exit T#12” will be displayed followed by 3 beeps, enter the 1st 3 digits to “Entry T(sec)#030” for enter time and 2nd 3 digits to “Exit T(sec)#060”

for exit time. The Maximum is 255 seconds. The exit / entry time sets the period of time permitted to arm the system and leaving the premises without triggering the alarm. The default entry time is 30 seconds and 60 seconds for exit time.

Exit the Installer Setup Number by pressing [#] key.

SECTION [13]: BURGLARY / FIRE BELL CUT OFF TIMES – [*][8][INSTALLER CODE][1][3]

After entering the commands, the “Bell Cutoff T#13” will be displayed, followed by 3 beeps. To program the Burglary / Fire bell cut off times enter the 1st 2 digits (01 to 99 minutes) to “Alarm (min)#04” for burglary and 2 digits to “Fire (min)#15” for fire bell cut-off times. The default burglary / fire bell cut-off times are 04 and 15 minutes.

Exit the Installer Setup Number by pressing [#] key.

SECTION [14]: AC POWER LOSS TRANSMISSION DELAY – [*][8][INSTALLER CODE][1][4]

After entering the commands, the “Inst. Setup No#14” will be displayed, followed by 3 beeps, enter 2 digits from 01 to 99 Minutes to “AC Loss(min)#02”. The AC power loss transmission delay sets the time lapse before the system call to User. If the AC power is restored, the system will not be call to User. The default AC power loss transmission delay is 2 minutes.

Exit the Installer Setup Number by pressing [#] key.

SECTION [15]: ACTIVATION TIME FOR MONO-STABLE PGMs – [*][8][INSTALLER CODE][1][5]

After entering the commands, the “Inst. Setup No#15” will be displayed followed by 3 beeps, enter 2 digits from 01 to 99 seconds to “PGM Act(sec)#30”. The activation duration for mono-stable PGMs stands for the activation time of any mono-stable PGM output after entering the command [*][3][1] for PGM1 or [*][3][2] for PGM2. The default mono-stable duration is 30 seconds.

Exit the Installer Setup Number by pressing [#] key.

SECTION [16]: INSTALLER CODE CHANGING – [*][8][INSTALLER CODE][1][6]

After entering the commands, the “Inst. Setup No#16” will be displayed followed by 3 beeps. To modify the installer code, enter a 4 or 6 digits new code to “Installer#■■■■■”. The default 4 digits code are “2525” and 6 digits code are “252500”.

Exit the Installer Setup Number by pressing [#] key.

SECTION [17]: MODIFICATION OF THE MASTER CODE – [*][8][INSTALLER CODE][1][7]

After entering the commands, the “Inst. Setup No#17” will be displayed followed by 3 beeps. To modify the master code enter a 4 or 6 digits new code to “Master#■■■■”. The default 4 digits code are “1234” and 6 digits code are “123400”.

Exit the Installer Setup Number by pressing [#] key.

SECTION [18]: RING NUMBER FOR THE SYSTEM ANSWERS – [*][8][INSTALLER CODE][1][8]

After entering the commands, the “Inst. Setup No#18” will be displayed followed by 3 beeps. Enter the 2 digits to “Ring Number#10” from 01 to 99 corresponding to the desired number of rings before system answering the call. The default ring number is 10 rings.

Exit the Installer Setup Number by pressing [#] key.

SECTION [19]: VOICE TRANSMISSION DURATION – [*][8][INSTALLER CODE][1][9]

After entering the commands, the “Inst. Setup No#19” will be displayed followed by 3 beeps. Enter 2 digits to “Voice T (sec)#30” from 01 to 99 seconds corresponding to the duration of the synthesis sounds. The default voice transmission duration is 30 seconds.

Exit the Installer Setup Number by pressing [#] key.

SECTION [20]: NUMBER OF DIALING SEQUENCES – [*][8][INSTALLER CODE][2][0]

After entering the commands, the “Inst. Setup No#20” will be displayed followed by 3 beeps. Enter 2 digits to “Dialing Seq#02” from 01 to 99 corresponding to the number of times will be repeated for the programmed phone number. The default dialing sequence is 2 times.

Exit the Installer Setup Number by pressing [#] key.

SECTION [22]: PROGRAMMABLE OUTPUT FOR PGM1 & PGM2 – [*][8][INSTALLER CODE][2][2]

After entering the commands, the “Inst. Setup No#22” will be displayed followed by 3 beeps. Enter 2 digits to “PGM1 Type#00” for 1st PGM and 2 digits to “PGM2 Type#00” for 2nd PGM. The program types for outputs PGM are detailed below:

Output Type	Description
[00] – Latch on alarm.	When alarm and it is shut off when disarming.
[01] – Follow system state.	When arming and it is shut off when disarming.
[02] – Entry delay.	When during the entry delay.
[03] – Exit delay.	When during the exit delay.
[04] – Trouble.	When system troubles (Ac loss, battery low, unsuccessful communication)
[05] – Continuous siren.	When the siren is sounding continuously.
[06] – Pulsing siren.	When the siren is generating a pulsing siren.
[07] – Silent alarm.	When a silent alarm is activated.
[08] – Panic.	When the panic is activated or pressing [4] + [6] keys.
[09] – Fire.	When the fire is activated or pressing [7] + [9] keys.
[10] – Medical	When the medical activated or pressing [1] + [3] keys.
[11] – Tamper.	When the tamper is activated.
[12] – Mono stable. (One way)	When the command [*][3][1] for PGM1 or [*][3][2] for PGM2 is entered.
[13] – Pulse on arming.	When the system becomes armed, activated for 2 seconds.
[14] – Pulse on disarming.	When the system becomes disarmed, activated for 2 seconds.
[15] – Bi stable. (Two ways)	When the command [*][3][1] for PGM1 or [*][3][2] for PGM2 is entered.

Exit the Installer Setup Number by pressing [#] key.

SECTION [24]: FISRT PHONE NUMBER FOR CMS – [*][8][INSTALLER CODE][2][4]

After entering the commands, the “CS1 Phone#” will be displayed followed by 3 beeps. Enter the phone number to CMS, the maximum number of digits is 15.

To erase the phone number press [*][5].

Exit the Installer Setup Number by pressing [#] key.

SECTION [25]: SECOND PHONE NUMBER FOR CMS – [*][8][INSTALLER CODE][2][5]

Follow the same method as for entering the first phone number.

SECTION [26]: PANEL ACCOUNT NUMBER FOR CMS – [*][8][INSTALLER CODE][2][6]

After entering the commands, the “CS ID#FFFF” will be displayed followed by 3 beeps. Enter 4 digits (HEX digits may be used) to identify the system’s account.

The default system’s 4 digits account number is FFFF.

HEX digit	Keys to be pressed
B	[*][1]
C	[*][2]
D	[*][3]
E	[*][4]
F	[*][5]

Exit the Installer Setup Number by pressing [#] key.

SECTION [27]: EVENT FOR CMS TRANSMISSION – [*][8][INSTALLER CODE][2][7]

After entering the commands, the “CS Event Code#27” will be displayed followed by 3 beeps. Enable / disable for each event from 1 to 10.

1	* Arming / Closing	6	* Restores Zones
2	* Stay / Instant Stay Arming	7	Tamper
3	* Disarming / Opening	8	* Panic
4	Bypass Zone	9	* Fire
5	* Alarm / Burglary	0	* Medical Emergency

Note: The default programmed options have the sign *

The default is [123■56■890XX].

Exit the Installer Setup Number by pressing [#] key.

SECTION [28]: EVENT FOR CMS TRANSMISSION – [*][8][INSTALLER CODE][2][8]

After entering the commands, the “CS Event Code#28” will be displayed followed by 3 beeps. Enable / disable for each event from 1 to 5.

1	Ambush / Duress
2	* Quick Arming
3	* Quick Stay / Instant Stay Arming
4	* Key Switch Arming
5	* Key Switch Disarming

Note: The default programmed options have the sign *

The default is [■2345■■■].

Exit the Installer Setup Number by pressing [#] key.

SECTION [29]: EVENT FOR CMS TRANSMISSION – [*][8][INSTALLER CODE][2][9]

After entering the commands, the “CS Event Code#29” will be displayed followed by 3 beeps. Enable / disable for each event from 1 to 5.

1	* AC Loss
2	* Battery Low Voltage
3	Bell Trouble
4	Aux Overload
5	System Date Time Not Programmed

Note: The default programmed options have the sign *

The default is [12■■■■■■■].

Exit the Installer Setup Number by pressing [#] key.

SECTION [30]: EVENT FOR CMS TRANSMISSION – [*][8][INSTALLER CODE][3][0]

After entering the commands, the “CS Event Code#30” will be displayed followed by 3 beeps. Enable / disable for each event from 1 to 5.

1	* AC Loss Restored
2	* Battery Low Voltage Restored
3	Bell Trouble Restored
4	Aux Overload Restored
5	Restore Clock Loss / Clock Modify

Note: The default programmed options have the sign *

The default is [12■■■■■■■].

Exit the Installer Setup Number by pressing [#] key.

SECTION [31]: EVENT FOR CMS TRANSMISSION – [*][8][INSTALLER CODE][3][1]

After entering the commands, the “CS Event Code#31” will be displayed followed by 3 beeps. Enable / disable for each event from 1 to 2.

1	Daily Test
2	Keypad Locked

Note: The default programmed options have the sign *

The default is [■■■■■■■■■].

Exit the Installer Setup Number by pressing [#] key.

SECTION [34]: DAILY TEST TIME SETTING – [*][8][INSTALLER CODE][3][4]

After entering the commands, the “CS Daily#0000” is displayed followed by 3 beeps. To program / modify the time of the daily test by follow the format [hhmm]. Each 2 digits group represents the hours and minutes.

The default time is 0000. (12:00 am)

Exit the Master Setup Number by pressing [#] key.

Standard Contact ID Reporting Codes

Description	Code	Description	Code
Arming / Closing	R401	Quick Stay / Instant Stay Arming	E408
Stay / Instant Stay Arming	R401	Time / Date Restore	R626
Disarming / Opening	E401	Time / Date Not Programmed	R626
Bypass Zone	E570	Key Switch Arming	R409
Alarm / Burglary	E130	Key Switch Disarming	E409
Restore Zones	R130	AC Loss	E301
Tamper	E137	AC Loss Restore	R301
Keypad Locked	E137	Battery Low Voltage	E302
Panic Alarm	E120	Battery Voltage Restore	R302
Fire Alarm	E110	Bell Trouble	E321
Medical Emergency	E100	Bell Restore	R321
Daily Test / Test Report	E602	Aux Overload / Ground Fault	E310
Ambush / Duress	E121	Aux Overload / Ground Fault Restore	R310
Quick Arming	E408		

SECTION [35]: CANCELLATION OF PHONE COMMUNICATION – [*][8][INSTALLER CODE][3][5]

This command allows the Installer to cut off any phone communication when carrying out a test.

SECTION [36]: CMS COMMUNICATION TEST – [*][8][INSTALLER CODE][3][6]

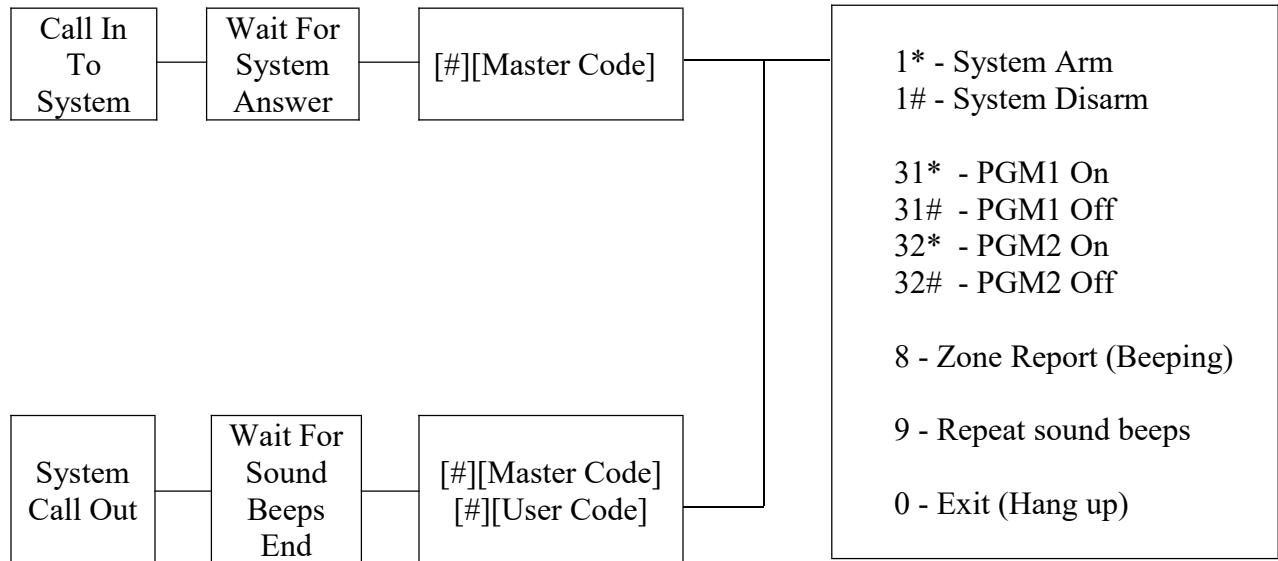
This allows the Installer to carrying out a manual test to CMS station each time this command is enter. Communication successful will be followed by 3 beeping sound.

SECTION [37]: WALK TEST – [*][8][INSTALLER CODE][3][7]

This command allows the Installer to verifying each zone open or close after installation. A pulse siren will be generated.
Exit the Walk Test by pressing [#] key.

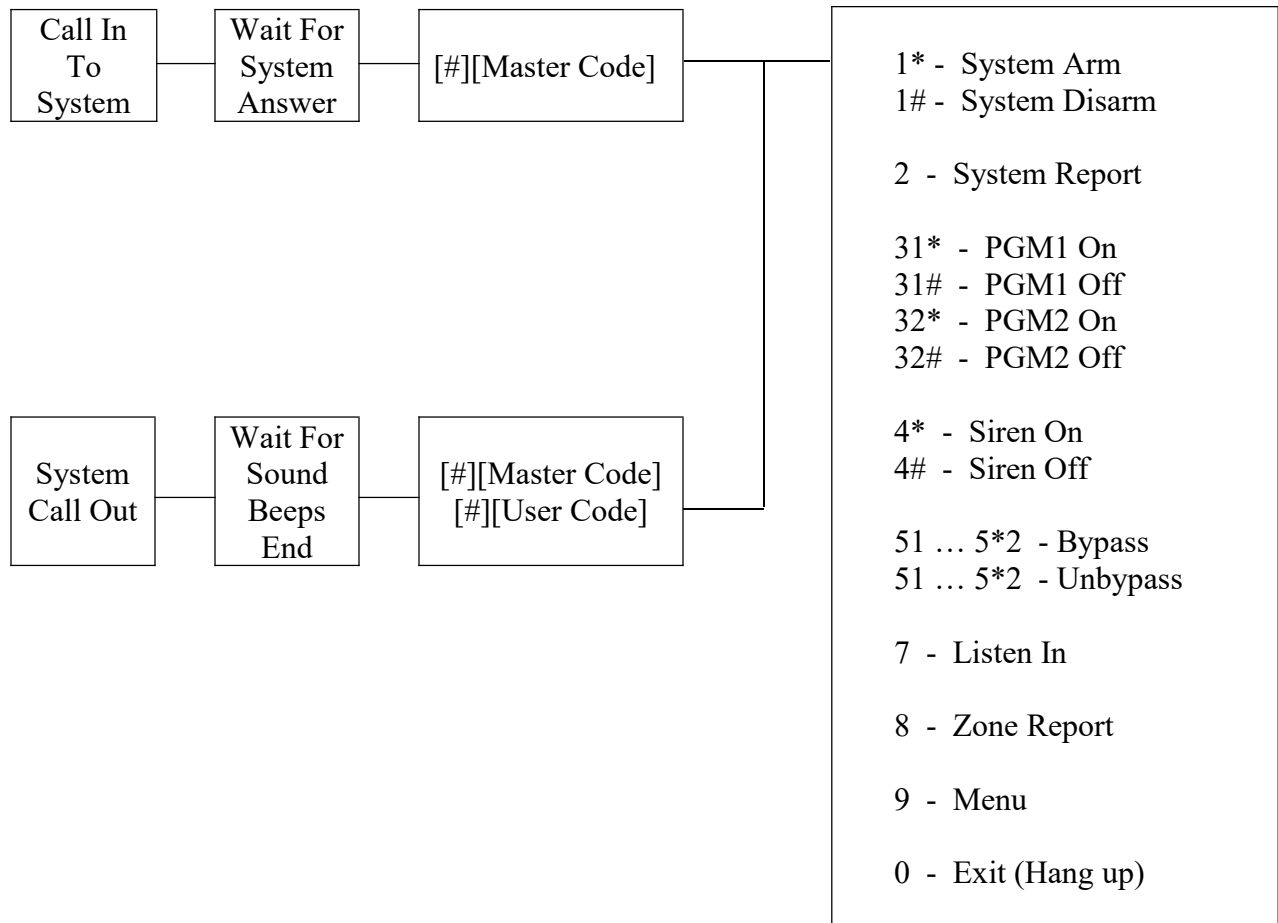
SYSTEM CALL OUT / CALL IN TO SYSTEM – WITHOUT VOICE MODULE

If alarm or AC power loss is generated, system will call user and announce a synthesis sound regarding AC power loss (Long Beep) or zone open (Police Siren), after synthesis has finished press the [#][Master code] or [#][User code] to access to the system, there will sound 3 beeps after correct code and a long beep for the wrong code, user must re-enter again after the long beep has finished. After a correct code has been entered, user is able to activate the system as below:-



SYSTEM CALL OUT / CALL IN TO SYSTEM – WITH VOICE MODULE

If alarm or AC power loss is generated, system will call user and announce a synthesis sound, after synthesis has finished press the [#][Master code] or [#][User code] to access to the system, there will sound 3 beeps after correct code and a long beep for the wrong code, user must re-enter again after the long beep has finished. After a correct code has been entered, user is able to activate the system and system will be played voice message accordingly to the actual status as below:-



Note: 51, 50, 5*1, 5*2 are for Zone 1, 10, 11 and 12.

TECHNICAL SPECIFICATIONS

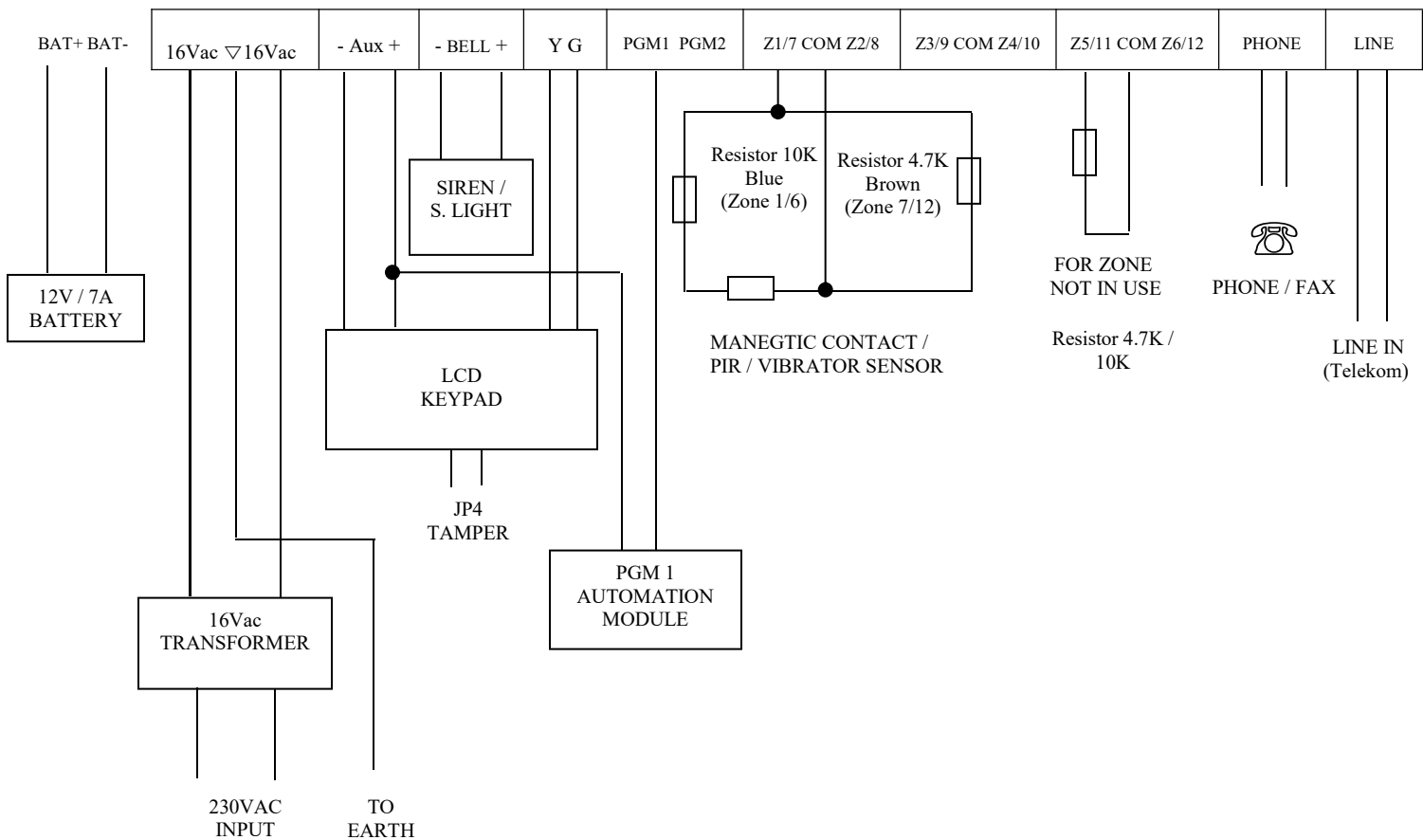
- Up to 4 Keypads
- Maximum cable wire length for keypad and zone: 50 meter
- Number of zones: 12 zones
- Zone type: Programmable
- EOL Resistor: 10k ohm (Blue) for zone 1 to 6 and 4.7k ohm (Brown) for zone 7 to 12
- Programmable outputs: PGM1 and PGM2
- Maximum load for PGM1 and PGM2 outputs: 50mA
- Main board typical consumption: 50mA
- LCD keypad typical consumption: 50mA
- Maximum power current for battery charging: 200mA
- Board operation rated voltage: 12Vdc – 14Vdc
- Transformer: 16Vac – 16.5Vac
- Siren output: 25W.

RESET TO DEFAULT PROCEDURE

Reset the system by the following the initializing procedure after which the system will function normally.

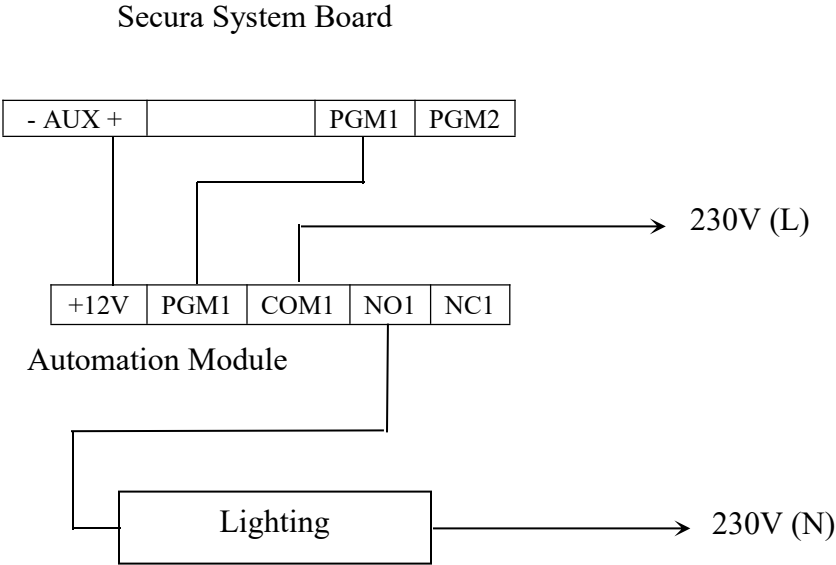
- Disconnect AC power and battery.
- Connect jumper JP1 on the alarm system board.
- Power up the system by battery and wait for 10 seconds.
- System reset displayed on LCD.
- Disconnect power.
- Take jumper JP1 off.
- Power up the system.
- The system parameters are set back to factory default.

GENERAL MOUNTING DIAGRAM FOR SYSTEM BOARD



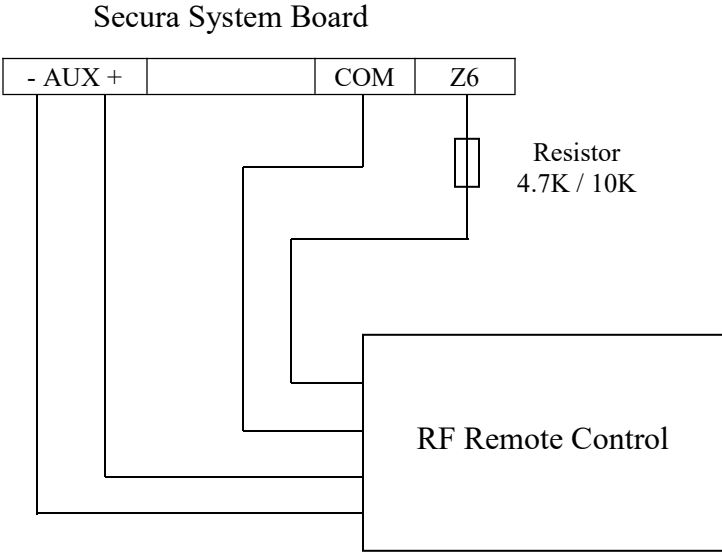
AUTOMATION / EXTERNAL MODULE CONNECTION

1. Lighting



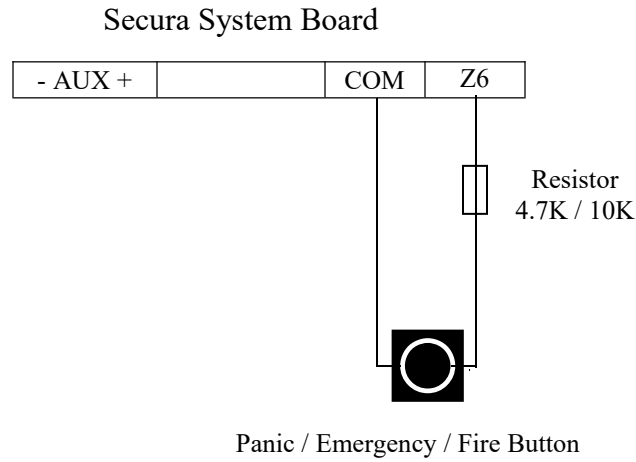
Note: [*8 2525 22] enter [15] for PGM1.

2. RF Remote Control



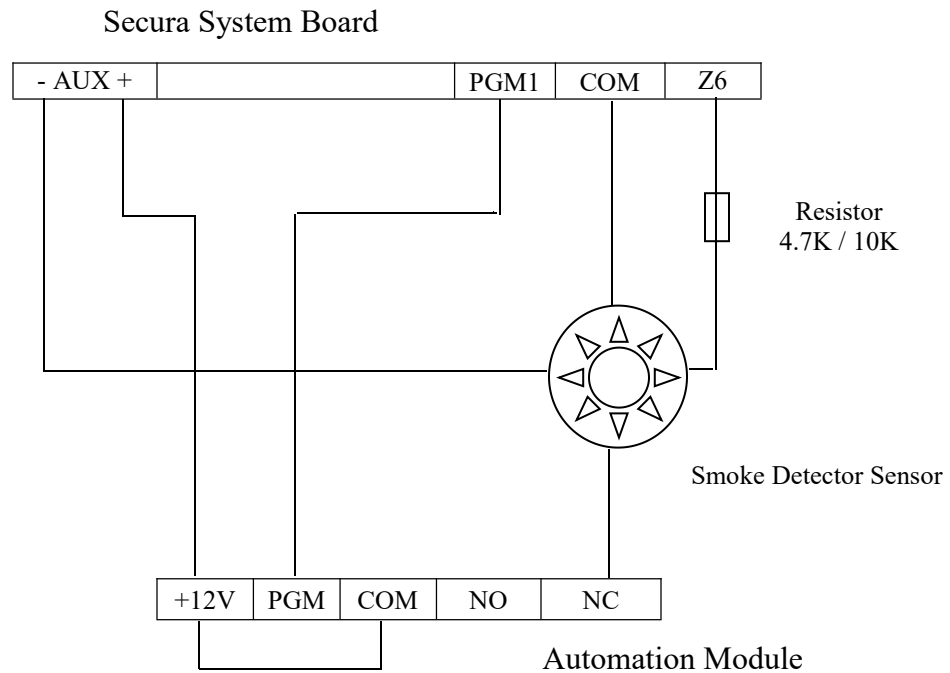
Note: [*8 2525 00][Zone Number][14] enable for NC / NO setting.

3. Panic / Emergency / Fire



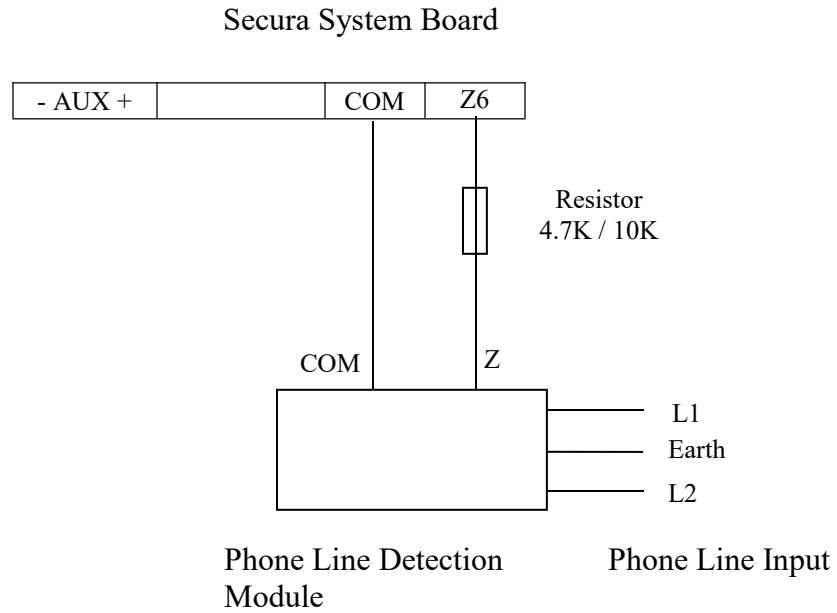
Note: [*8 2525 00][Zone number] select zone type for [11], [12] or [13].

4. Smoke Detector



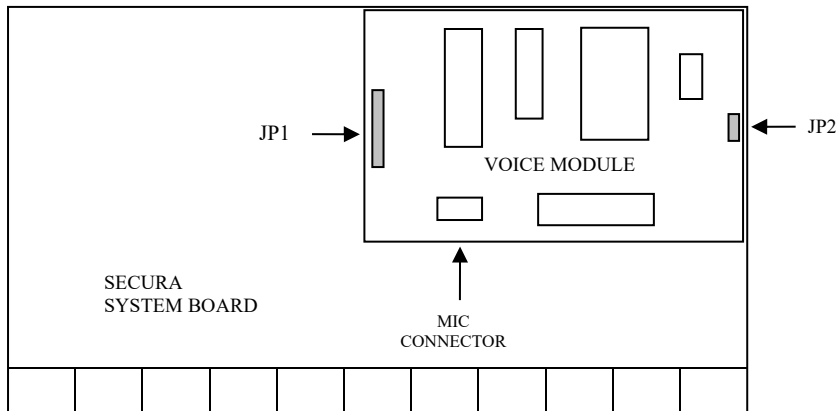
Note: [*8 2525 00][Zone Number][12][##] [*8 2525 22][13] for PGM1 or PGM2.

5. Phone Line Detection Module



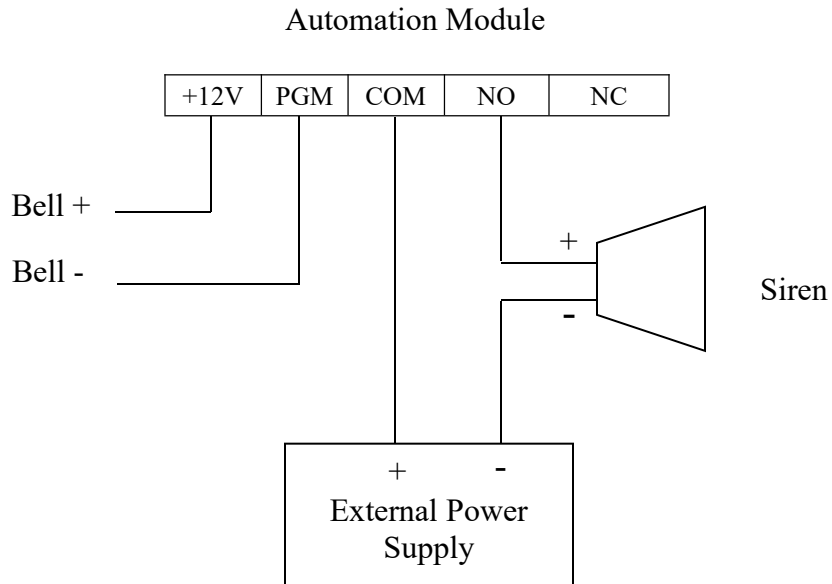
Note: [*8 2525 00][Zone Number][05].

6. Voice Module



Note: [*8 2525 00][10] Enable number 3.

7. High Current Siren



WARRANTY OF SECURA SECURITY ALARM SYSTEM

Manufacturer guarantees all Secura security alarm systems against defective parts and workmanship for 12 months from date of purchase. This warranty applies only to defects in components and not to damage due to causes beyond the control of Manufacturer, such as incorrect voltage, lightning damage, mechanical shock, water damage, fire damage or damage arising out of abuse and improper application of the equipment.

NOTE

- Read the entire manual carefully and keep it in an accessible place of storage.
- Your security system should be installed and serviced by a qualified security professional who should instruct you regarding the level of protection provided and the operation of the system.
- Should you have any questions regarding the operation of the system, contact your security company representative.
- Your system should be tested on a regular basis. Before testing the system, please notify your security company of your intention to do so.
- Never disconnect the main power, as the backup battery will eventually discharge; thereby causing the control panel to shutdown.
- A security system can't prevent emergencies. It's only intended to alert you or your central station of an emergency situation.
- Specifications are subject to change without prior notice.