

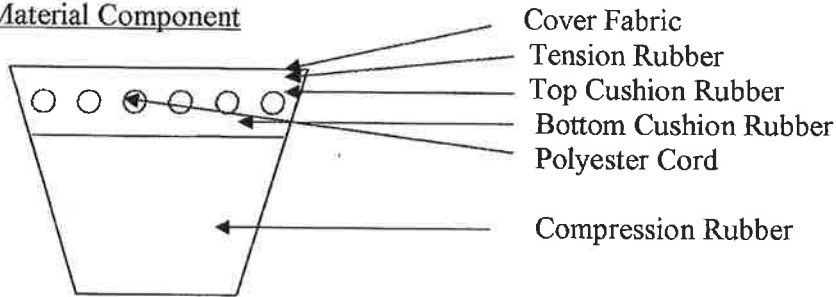
## Test Report on Mitsubishi Narrow Belt – SPZ, SPA and SPB

### 1. Mitsubishi Narrow Belt Product Specification

#### a. SPZ

BELT ITEM	CHECKING ITEM	SPZ Standard/Spec.
1. CONSTRUCTION	COVER FABRIC	Cotton Fabric
	TENSION / CUSHION RUBBER	NR + SBR
	TENSILE CORD	Polyester Cord
	COMPRESSION RUBBER	NR + SBR
2. DIMENSION	TOP WIDTH                      mm	9.7 +/- 0.6
	THICKNESS                      mm	8.4 +/- 0.6
	ANGLE                              °	40 +/- 1
	BELT LENGTH (POC)          mm	Follow Belt Spec.
3. STATIC TEST	HARDNESS                      °	78+/-4
	MIDDLE ELONGATION          %	Max.3.0
	ELONGATION AT BREAK        %	6.5 – 15.0
	TENSILE STRENGTH            kN	Min.2.3

#### Material Component



#### Marking

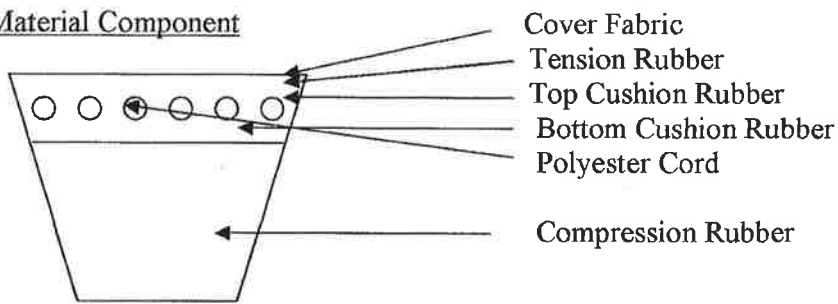
<b>MITSUBOSHI</b>	ANTI STATIC OIL & HEAT RESISTANT	<b>SET FREE</b>	<b>SPZ XXXX Lw</b>	<b>Lot no.</b>
← White Colour →		Brown Transfer Mark		



**b. SPA**

BELT ITEM	CHECKING ITEM	SPA Standard/Spec.
<b>1. CONSTRUCTION</b>	COVER FABRIC	Cotton Fabric
	TENSION / CUSHION RUBBER	NR + SBR
	TENSILE CORD	Polyester Cord
	COMPRESSION RUBBER	NR + SBR
<b>2. DIMENSION</b>	TOP WIDTH mm	12.7 +/- 0.6
	THICKNESS mm	11.2 +/- 0.6
	ANGLE °	40 +/- 1
	BELT LENGTH (POC) mm	Follow Belt Spec.
<b>3. STATIC TEST</b>	HARDNESS °	78+/-4
	MIDDLE ELONGATION %	Max.3.5
	ELONGATION AT BREAK %	6.5 – 15.0
	TENSILE STRENGTH kN	Min.3.5

Material Component



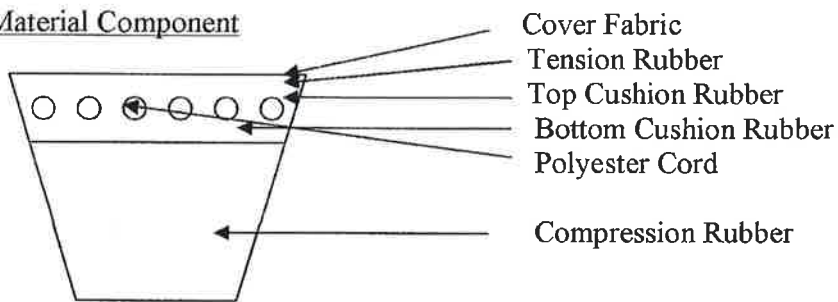
Marking



c. SPB

BELT ITEM	CHECKING ITEM	SPB Standard/Spec.
1. CONSTRUCTION	COVER FABRIC	Cotton Fabric
	TENSION / CUSHION RUBBER	NR + SBR
	TENSILE CORD	Polyester Cord
	COMPRESSION RUBBER	NR + SBR
2. DIMENSION	TOP WIDTH mm	15.3 +/- 0.6
	THICKNESS mm	14.5 +/- 0.6
	ANGLE °	40 +/- 1
	BELT LENGTH (POC) mm	Follow Belt Spec.
3. STATIC TEST	HARDNESS °	78+/-4
	MIDDLE ELONGATION %	Max.3.5
	ELONGATION AT BREAK %	6.5 – 15.0
	TENSILE STRENGTH kN	Min.5.9

Material Component



Marking

**MITSUBOSHI** ANTI STATIC OIL & HEAT RESISTANT **SET FREE** **SPB XXXX Lw** **Lot no.**  
 ← White Colour → Brown Transfer Mark



## 2. Belt Static Test Result (Based on monthly QC Report)

Check Item	Belt	Spec.	n	Ave	Min	Max	Judgment
<b>1. Tensile Properties</b>							
a. Middle Elongation	SPZ	Max.3.0%	10	2.60	2.5	2.9	OK
	SPA	Max.3.5%	6	3.00	2.9	3.1	OK
	SPB	Max.3.5%	14	3.15	3.1	3.2	OK
b. Elongation at Break	SPZ	6.5-15.0%	10	9.70	9.4	9.9	OK
	SPA	6.5-15.0%	6	9.95	9.7	10.2	OK
	SPB	6.5-15.0%	14	11.35	11.2	11.5	OK
c. Tensile Strength at Break	SPZ	Min.2.3kN	10	3.45	3.4	3.5	OK
	SPA	Min.3.5kN	6	4.55	4.5	4.6	OK
	SPB	Min.5.9kN	14	6.90	6.8	7.0	OK
<b>2. Adhesion Properties</b>							
a. Cover - Cover	SPA	Min. 19.6 N/cm	6	43.80	42.80	44.80	OK
	SPB	Min. 19.6 N/cm	14	38.60	38.0	39.20	OK
b. Cover - Tension rubber	SPZ	Min. 10.8 N/cm	10	51.25	47.5	55.0	OK
	SPA	Min. 10.8 N/cm	6	46.45	45.3	47.6	OK
	SPB	Min. 10.8 N/cm	14	41.90	38.7	45.1	OK
c. Top Cushion - Rope	SPZ	Min. 29.4 N/cm	10	89.3	87.4	91.2	OK
	SPA	Min. 29.4 N/cm	6	97.35	96.2	98.5	OK
	SPB	Min. 29.4 N/cm	14	90.80	86.3	95.3	OK
d. Bottom Cushion - Rope	SPZ	Min. 49.0 N/cm	10	88.6	83.8	93.4	OK
	SPA	Min. 49.0 N/cm	6	98.15	97.3	99.0	OK
	SPB	Min. 49.0 N/cm	14	96.90	95.0	98.8	OK
e. Bottom Cover - Compression	SPZ	Min. 19.6 N/cm	10	38.85	34.0	43.7	OK
	SPA	Min. 19.6 N/cm	6	36.10	34.5	37.7	OK
	SPB	Min. 19.6 N/cm	14	39.00	38.2	39.8	OK
<b>3. Compression Hardness</b>							
	SPZ	78+/-4°	10	76.0	76	76	OK
	SPA	78+/-4°	6	76.0	76	76	OK
	SPB	78+/-4°	14	76.0	76	76	OK

The narrow belt static test quality for tensile test, adhesion test and hardness are acceptable and satisfactory. All results are well within their respective specifications.  
Belt quality is acceptable and considered good.

