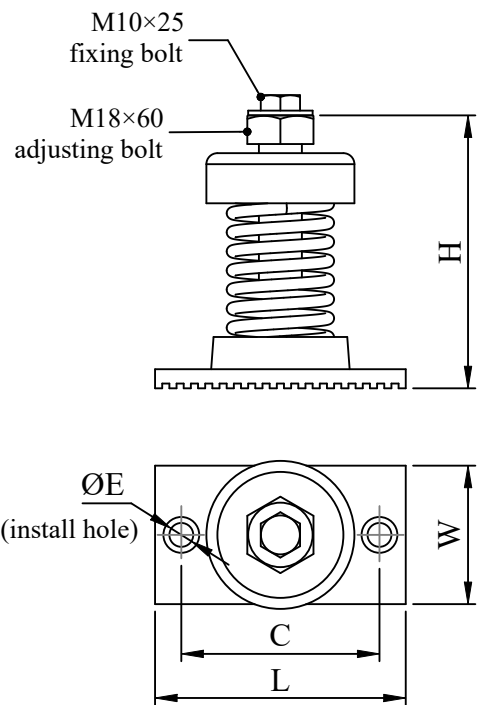
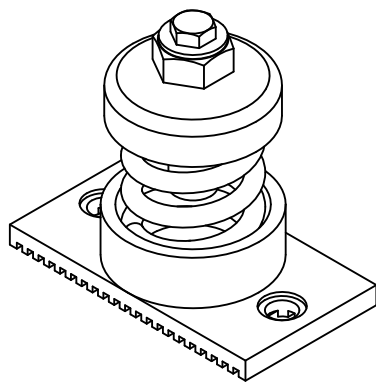


Type YDS-A spring AVM outline drawing



H:Free height of AVM  
 L:Length of rubber bottom  
 C:Central hole distance  
 W:Width of rubber bottom



Technical data of type YDS-A spring AVM

Model/Size	Rated Load (lbs.)	Rated Defl (in.)	Color Code	Spring Rated (lbs./in.)	Outer Size(±3mm)				
					L	W	H	C	ØE
YDS-A8e	8	1.40	brown	5.71	100	57	115	82	10
YDS-A10e	10	1.35	grey	7.41					
YDS-A12e	12	1.31	red	9.16					
YDS-A20e	20	1.35	orange	14.81					
YDS-A25e	25	1.35	green	18.52					
YDS-A36e	36	1.30	blue	27.69					
YDS-A50e	50	1.45	white	34.48					
YDS-A75e	75	1.38	yellow	54.35					
YDS-A100e	100	1.32	grey	75.76					
YDS-A125e	125	1.25	orange	100.00					
YDS-A160e	160	1.18	tan	135.59					
YDS-A190e	190	1.12	dark green	169.64					
YDS-A210e	210	1.10	red	190.91					
YDS-A270e	270	1.08	dark blue	250.00					
YDS-A300e	300	1.06	brown	283.02					
YDS-A325e	325	1.04	grey	312.50					
YDS-A350e	350	1.00	blue	350.00					
YDS-A425e	425	1.00	orange	425.00					
YDS-A450e	450	1.00	green	450.00					
YDS-A575e	575	1.00	yellow	575.00					
YDS-A620e	620	1.00	black	620.00					
						125			

Material	See Drawing Picture	SPRING AVM	The first angle view projection	
Weight	Kg		Drawing Number	MHBZ-314A
Ratio	-	YDS-A	Version	A/2017
Page 1	Total 1 page			

The documents information is meihuan property, without meihuan's written permission, it should not be used or leaked.

Yancheng City Meihuan Vibration isolator MFG Co.,Ltd

A/2017	First issued								
Revison No.	Describe for revision								