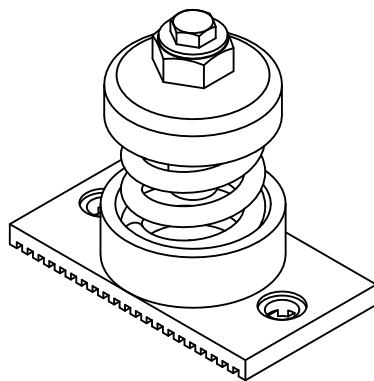
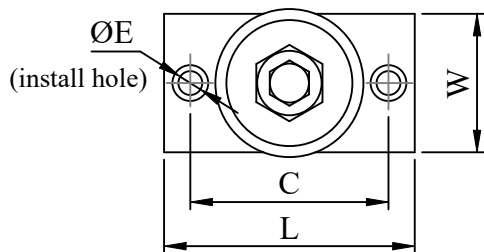
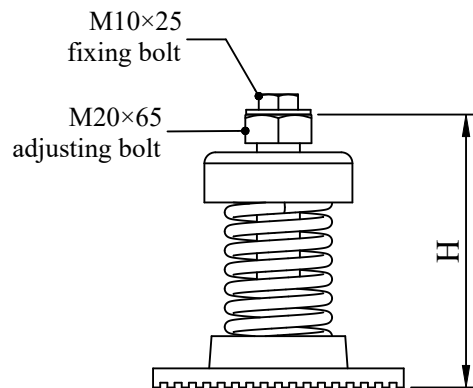


### Type YDS-B spring AVM outline drawing



H:Free height of AVM  
 L:Length of rubber bottom  
 C:Central hole distance  
 W:Width of rubber bottom

### Technical data of type YDS-B spring AVM

Model/Size	Rated Load (kg)	Rated Defl (mm)	Color Code	Spring Rated (kg/mm)	Outer Size(±3mm)				
					L	W	H	C	ØE
YDS-B90	40	46.99	brown	0.85	133	70	145	105	14
YDS-B120	54	45.21	white	1.19					
YDS-B155	70	42.41	orange	1.65					
YDS-B200	90	39.62	tan	2.27					
YDS-B270	122	36.83	red	3.31					
YDS-B320	145	33.52	green	4.33					
YDS-B445	201	33.02	blue	6.09					
YDS-B500	226	31.75	pink	7.12					
YDS-B550	249	30.00	orange	8.30					
YDS-B630	285	28.44	grey	10.02					
YDS-B815	369	26.67	black	13.84					
YDS-B910	412	25.40	yellow	16.22					
YDS-B1000	453	25.40	white	17.83					
YDS-B1220	553	25.40	black+yellow	21.77					
YDS-B1350	612	25.40	yellow+yellow	24.09					
YDS-B1450	658	25.40	white+yellow	25.91					

Material	See Drawing Picture	SPRING AVM	The first angle view projection	
Weight	Kg		Drawing Number	MH-SM-001-29W
Ratio	-	YDS-B	Version	A/2017
Page 1	Total 1 page			

The documents information is meihuan property, without meihuan's written permission, it should not be used or leaked.

Yancheng City Meihuan Vibration isolator MFG Co.,Ltd

A/2017	First issued								
Revison No.	Describe for revision								