

ES 200

Flexible, simple and modular

With drive power to spare



The new, innovative ES 200 sliding door operator system offers the perfect solution for all applications and service requirements. The ES 200, equipped with the dormakaba PowerDrive technology, fulfills every demand imposed on operators in terms of adaptability to different door widths, door weight capacity and functionality.

The modular system

The modular design of the ES 200 provides an ideal basis for the implementation of new ideas and individual concepts in the design and construction of sliding door systems.

The identical mechanical components may be installed in all three versions of the operator (ES 200, ES 200-2D and ES 200 Easy). dormakaba has also opened up a new dimension with its control system. Now there is no longer any need to replace components when you want to expand the functionality of your system. In future, "docking" will be the order of the day. The modular control system comprises of the basic module (BM) and the function module (FM). Consequently, upgrading in accordance with individual customer requirements may be carried out without problem.

Particularly impressive is the prefabricated **MiniDriveUnit**, industrially tested and equipped with all the necessary electrical and electronic components.

Integrated power

With its extra-powerful motor and a dynamic driving phase control, the integrated **PowerDrive** system ensures safe and reliable operation. And it can readily cope with sliding door weights of up to 2 x 160 kg per door panel weight.

Exceptional cost-efficiency

With the ES 200, dormakaba offers a drive system of modular design capable of covering every application on the basis of just a few components. The system offers easy assembly and installation, reduced storage and stocking costs, and simple maintenance for enhanced operational cost efficiency.

A system for the future

With this system you are investing in the future. You also have the security derived from our decades of experience in the automatics business – a history that sets dormakaba apart as the market leader in drive and control systems for doors.

The ES 200 corresponds to all the latest European and German standards and safety regulations.

Delivery formats

The ES 200 is available as a component kit, as a complete, pre-assembled operator or ready integrated in all dormakaba sliding door systems.

Accessories

dormakaba furthermore provides program switches, activators and door profiles all perfectly matched to the operator as ideal complementary components.

Features and benefits

- Modular, flexible system
- With dormakaba **PowerDrive**: Dynamic driving phase control for particularly powerful operation – and with emergency power backup in the form of a rechargeable battery pack
- Industrially prefabricated and tested **MiniDriveUnit**
- Modular control system upgradeable with additional function modules
- Integrated DCW® (DORMA Connect and Work) bus system for easy integration of DORMA DCW® sensors and activators
- Easy commissioning via the integrated display
- May be combined with all customary door profiles
- Fully comprehensive range of accessories
- Reliable investment due to compliance with all relevant European and German standards

Our commitment to a sustainable future

We are committed to sustainable development as one of our business maxims. dormakaba's aim is to ensure energy-saving and resource-conserving production, a high recycling ratio and the longevity of our quality products. Environmental Product Declarations (EPD), based on a holistic life cycle assessment, are used for the calculation of the sustainability of buildings. EPD certificates are on www.dormakaba.com available.



Data and features

Door parameters		ES 200
Single-panel sliding door	- Clear passage width LW - Door panel weight, max.	700 – 3000 mm 1 x 200 kg
Double-panel sliding door	- Clear passage width LW - Door panel weight, max.	800 – 3000 mm 2 x 160 kg
Clear passage height*		2100 – 3200 mm

*Other dimensions on request.

Technical data of operator

Height	100 and 150 mm
Installation depth	180 mm
Opening and closing force, max. 150 N	●
Opening speed (incremental setting)	10 – 70 cm/s
Closing speed (incremental setting)	10 – 50 cm/s
Hold-open time	0 – 180 s
Supply voltage, frequency	230 V, 50/60 Hz
Power consumption	250 W
Class of protection	IP 20
Admissible temperature	- 20 – + 60 °C
Admissible humidity (relative)	max. 93 % (non condensing)
Compliant with EU Low Voltage Directive and EMC Directive	●
Manufactured to ISO 9001	●
Environmental product declaration in accordance with ISO 14025 Programme holder: Institute Construction and Environment e.V. Declaration number: EPD-DOR-2013511-E	●

Basic module (BM)		ES 200
Modular design		●
Microprocessor-controlled function programs	- Off - Automatic - Permanent Open - Partial Open - Exit Only - Night-/Bank Function	● ● ● ● ● ●

Connections for	- electro-mechanical locking device - light barriers	● ●
Adjustment of all basic parameters via integrated display and pushbuttons		●
24 V output for external accessory		●
Read-out error memory with error codes		●
DCW® bus interface (Protokoll DORMA Connect and Work)		●
Rechargeable battery pack for emergency operation		●

Function module (FM) – optional extra

Pharmacy Function	●
Door status contact (three)	●
Main and secondary closing edge protection	●
Panic Closing Function	●
Bell contact	●
Airlock control	●
Synchronous operation	●

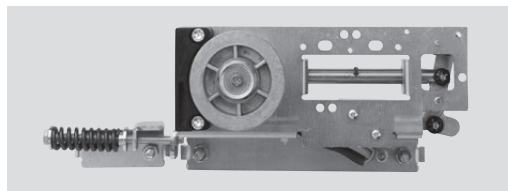
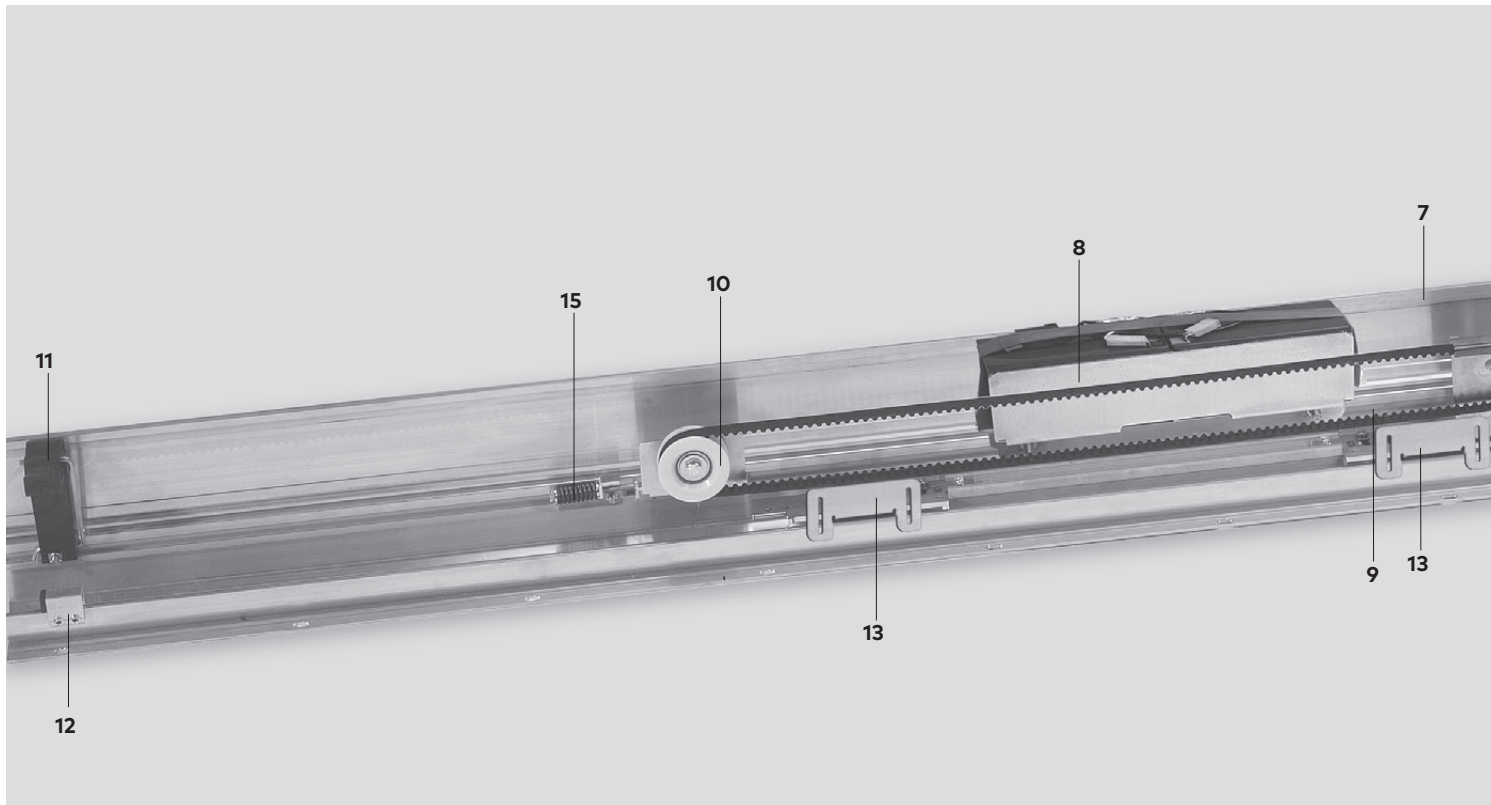
DIN 18650 and EN 16005 function module – optional

The DIN 18650 and EN 16005 function module enables the tested monitoring of the secondary closing edges in order to comply with the German standard DIN 18650 and EN 16005.	○
---	---

Additional equipment

Electro-mechanical locking device (bistable)	○
Manual lock release for electro-mechanical locking device	○
Light barriers	○
Rechargeable battery pack (emergency opening, emergency closing)	○
Module for coupling to EIB or LON building management systems	○
Infrared detector	○

● standard ○ optional

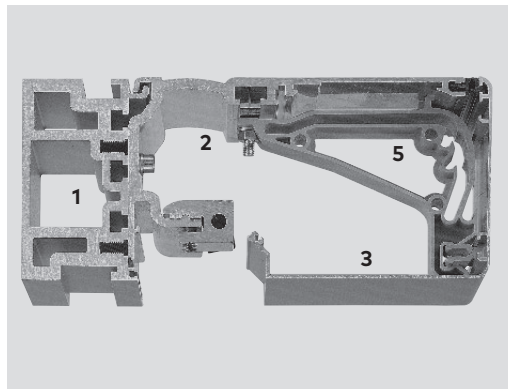


Pulley with integrated locking device and belt tensioning device

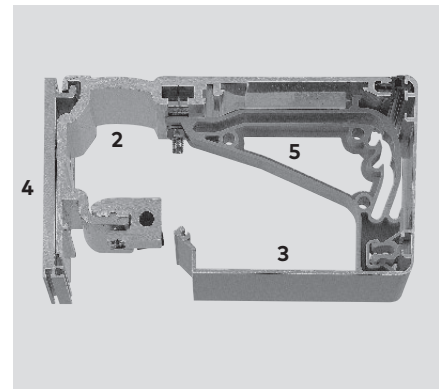
Our profiles for installation heights of 100 mm and 150 mm, which are suitable for both corridor or wall installation, make the system suitable for all kinds of applications. The basic mechanical system, with a low number of components, is the same for both installation heights

- 1 Aluminium girder (LM)
- 2 Basic operator profile
- 3 Internal cover, 100 mm or 150 mm high
- 4 Wall connection profile
- 5 Service cover bracket

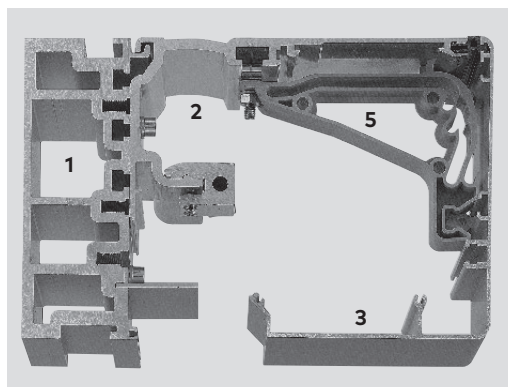
Profiles for corridor installation, 100 mm



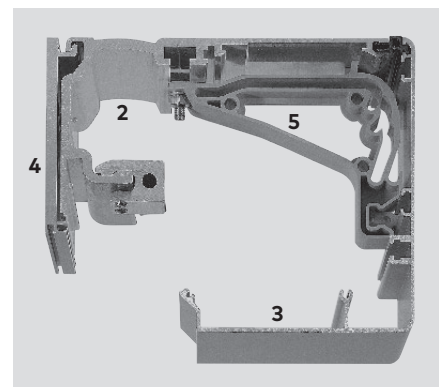
Profiles for wall installation, 100 mm

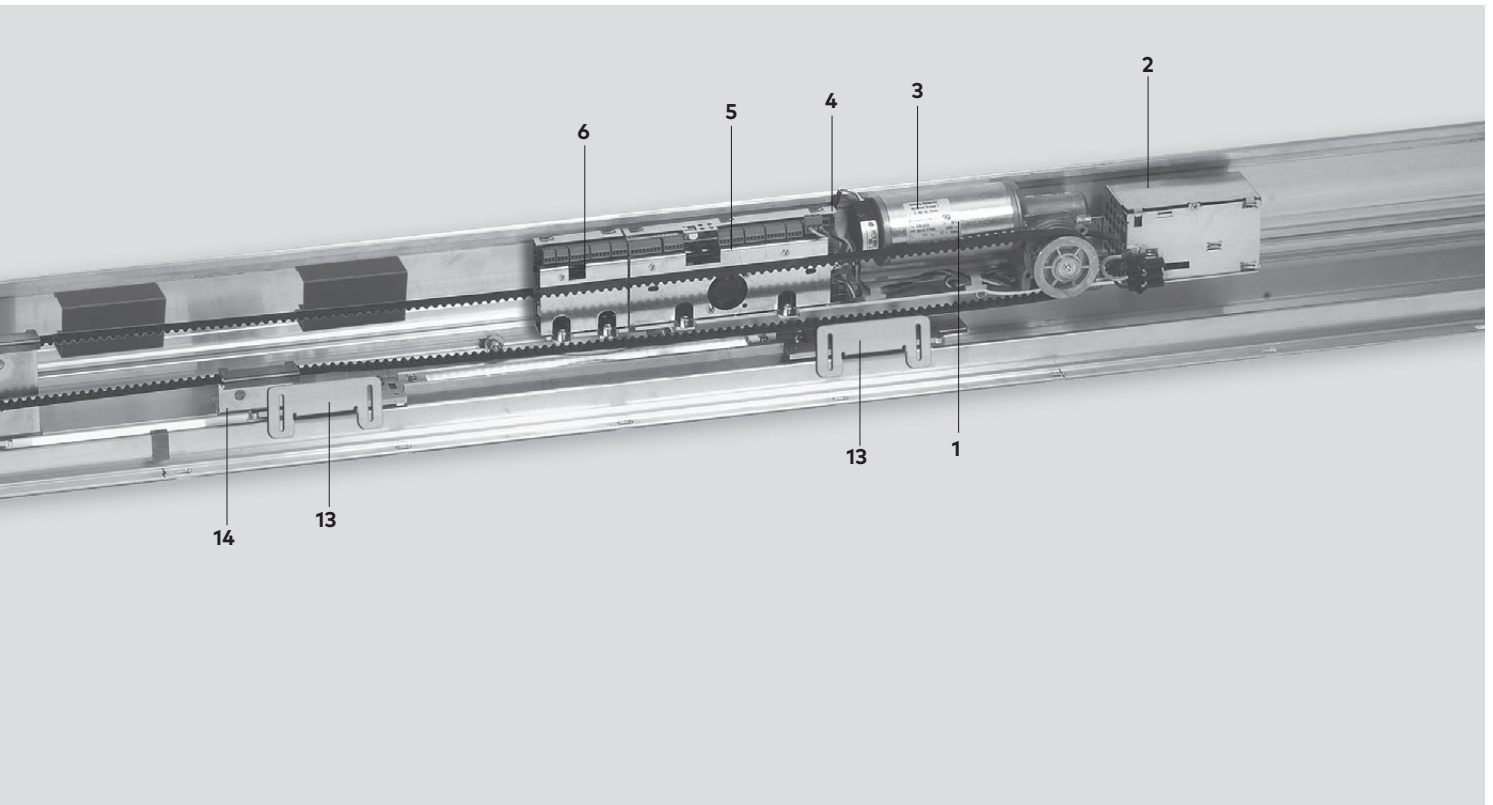


Profiles for corridor installation, 150 mm

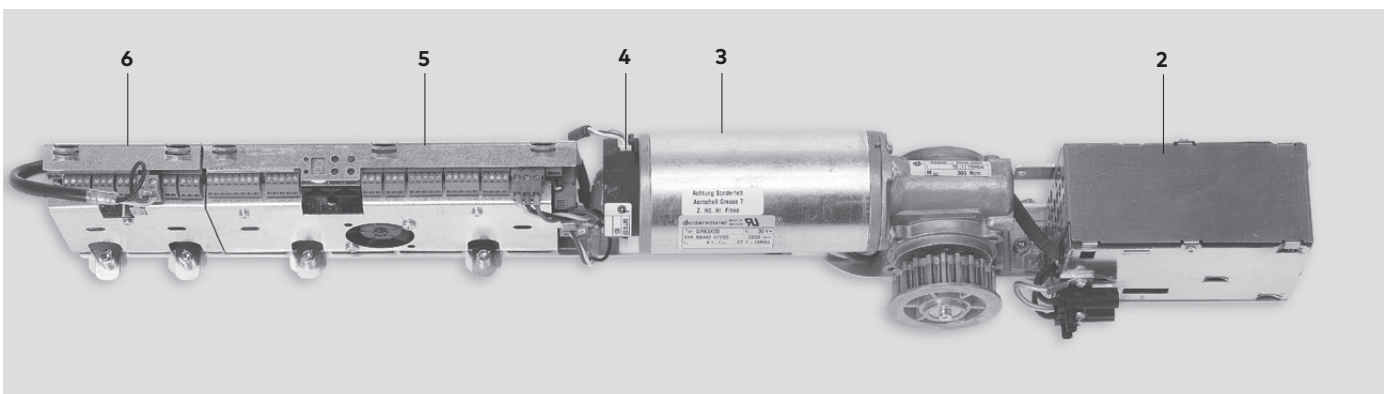


Profiles for wall installation, 150 mm





MiniDriveUnit



At the core of the ES 200

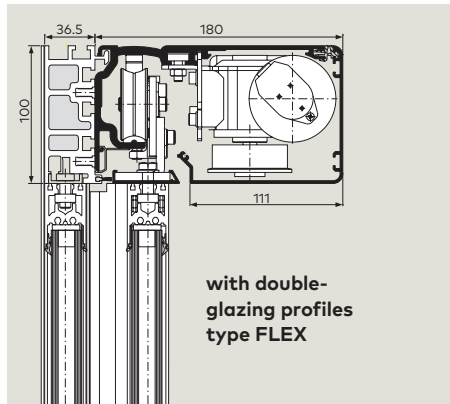
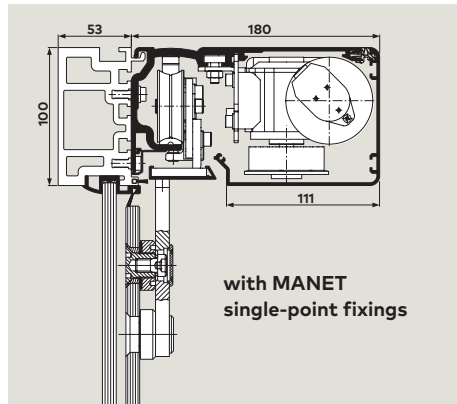
The prefabricated **MiniDriveUnit** has been industrially tested with all the requisite electrical and electronic components, thus greatly facilitating the assembly, installation and maintenance of the operator.

Components

- 1 **MiniDriveUnit**
- 2 Power supply unit
- 3 Motor
- 4 Decoder
- 5 Basic module (BM)
- 6 Function module (FM)
- 7 Track rail and mounting profile
- 8 Rechargeable battery pack (optional)
- 9 Carrier head
- 10 Pulley (locking device)
- 11 Service cover bracket
- 12 End stop
- 13 Door connection with adjustment device
- 14 Belt connection
- 15 Belt tensioning device

The professional operator for individual door design

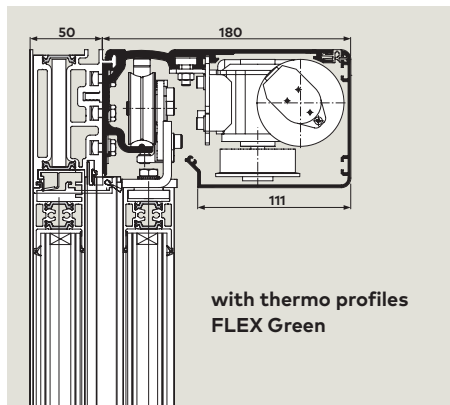
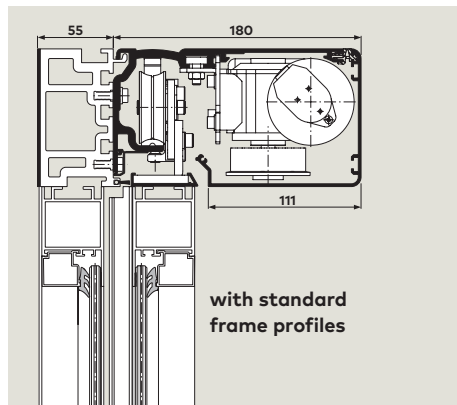
Door variants with ES 200, 100 mm installation height and special "profile" version



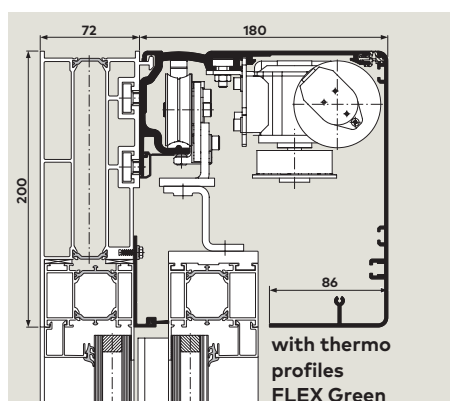
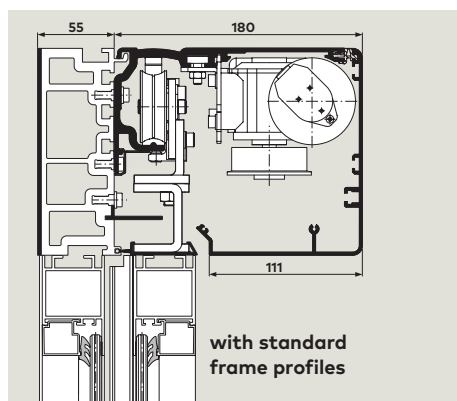
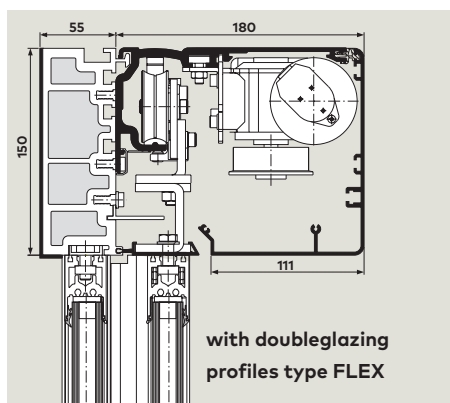
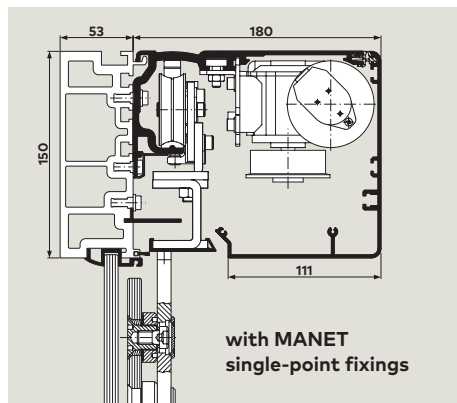
dormakaba **PowerDrive System** for particularly punchy performance

The door variants on this page are shown as corridor installation with aluminium girder (LM).

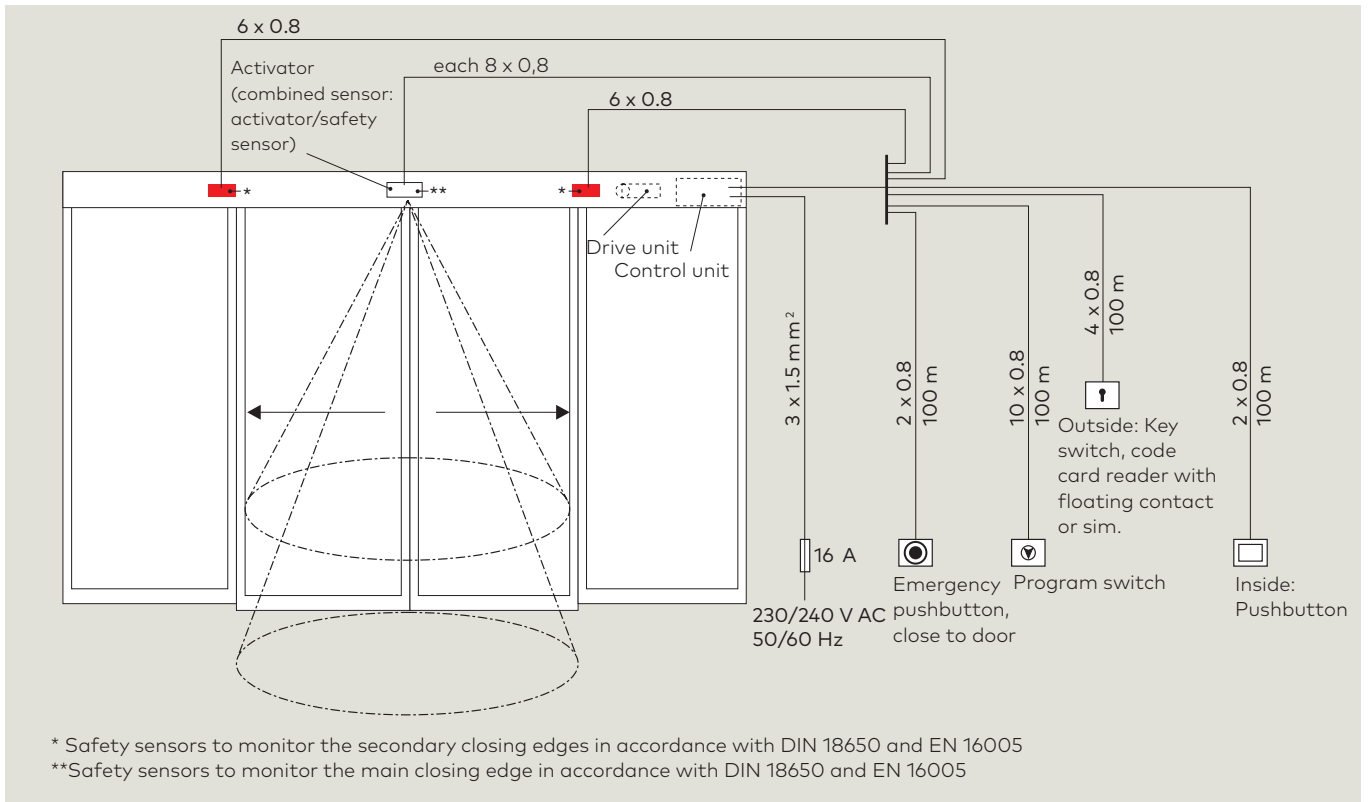
See page 4 for profiles for wall installation.



Door variants with ES 200, 150 mm installation height and special "profile" version



Connections



The complete solution

Automatic entrance systems require careful specification and installation to ensure safety and reliability in use. Commencing with a risk assessment survey, dormakaba will advise at all stages of design and installation so the correct methods of operation and user safety protection are adopted.

Risk Assessment

All automatic doors must be specified and installed following appropriate safety standards requiring risk assessment prior to installation and periodically during the life of the product. dormakaba are experienced with safety specification and can provide further details on request.

Professional and impartial advice from staff assessed and accredited by ADSA (Automatic Door Suppliers Association):

- Site surveys, escape routes, impaired user access.
- Risk assessment reports
- Consultation with leading safety bodies and equipment manufacturers.
- CPD delivery to specifiers and professional organisations



Protection

Automatic doors installed in the UK are subject to the highest safety demands in accordance with EN 16005:2012. To meet these requirements consideration must be given to the use of barriers, self-monitoring sensors and other protective devices. These are mandatory for each door and uniquely specific to its location.

Advanced, standards-compliant technologies for all door types:

- Compact sensors with microwave Doppler technology for motion detection
- Combination sensors with active infrared technology for simultaneous motion and passageway protection
- Active infrared motion detectors based on the triangulation principle for protection of users or obstructions located in the door panel travel path
- Laser sensors with precision monitoring and extended field of view over the door face
- Barriers, fingerguards and appropriate signage for increased risk users, children or failsafe situations



Activation

dormakaba automatic doors are designed and tested to meet a wide range of building entrance styles and user requirements. Access to the building can be controlled through a number of methods from simple switches and keylocks to intelligent access control readers.

Wide choice of access methods from dormakaba:

- Radar approach sensors, opening integrated with emergency escape systems
- Manual pushbuttons with high visibility and ease of use for disabled users.
- Access control readers using simple access fobs or fully integrated with a monitored access control system



Maintenance

Automatic doors must be maintained and periodically assessed to be safety compliant. dormakaba have the UK's largest service network of trained engineers experienced on all types of door system both dormakaba and from other manufacturers.

Qualified service engineers assessed and accredited by ADSA:

- Scheduled maintenance visits and emergency callout.
- Risk assessment reports
- Trained and accredited service engineers with national coverage and logistic support



For further advice on dormakaba products and accessories please contact:

info.gb@dormakaba.com

01462 477600

Dormatic (Malaysia) Sdn Bhd

Company No: 199001010853 (202423-X)

18, Jalan MJ/5, Taman Maju Jaya, Batu 7 Jalan Kelang Lama
46000 Petaling Jaya, Selangor Darul Ehsan, Malaysia

Tel: 03-7783 4500 / 7783 4548 Fax: 03-7782 8380

Email: dormatic@panmart.com

dormakaba 

dormakaba
Wilbury Way
Hitchin
Herts
SG5 2TA

T: 01462 477600

E: info.gb@dormakaba.com