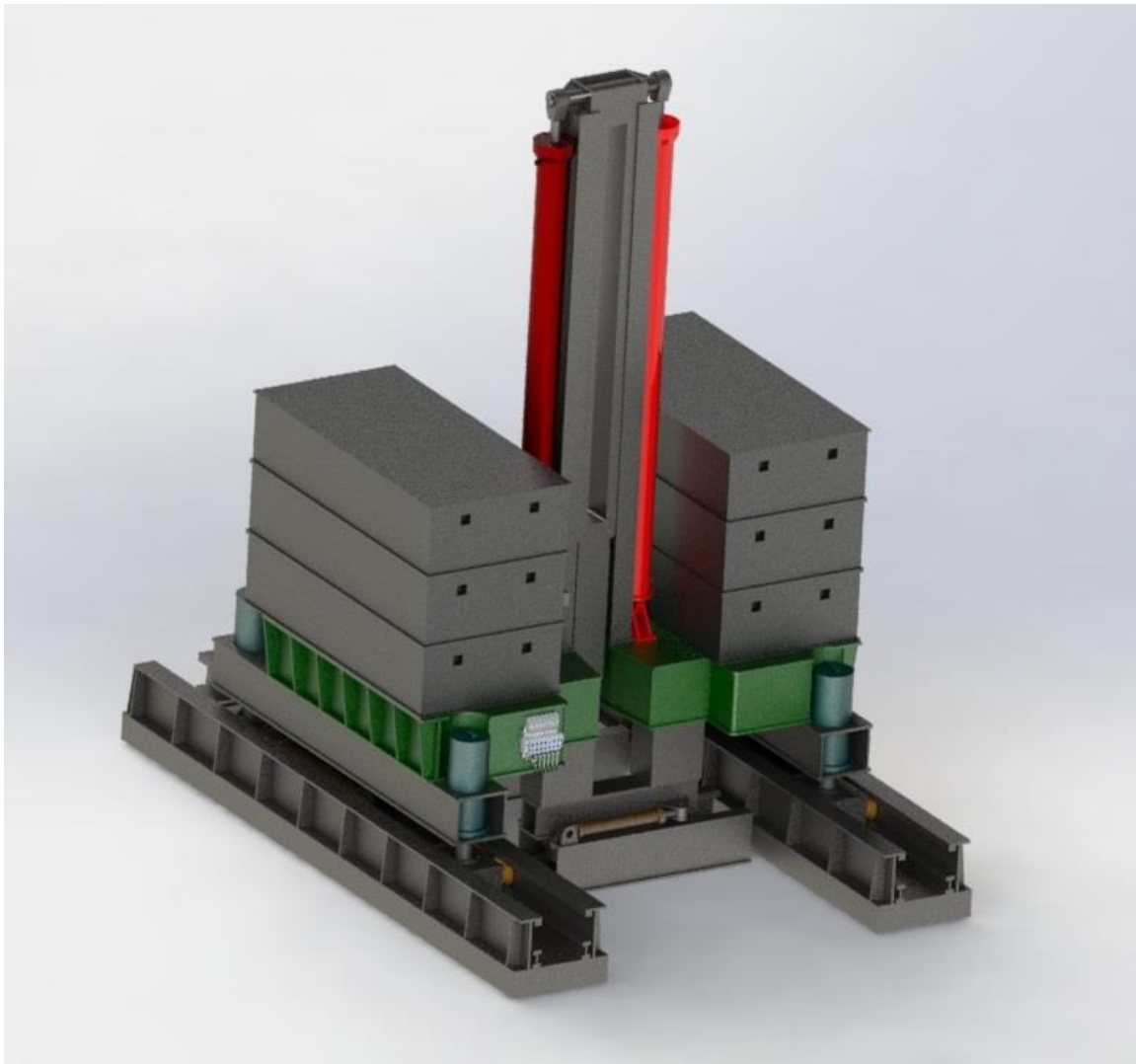


## Hydraulic Jet-in Pile Machine

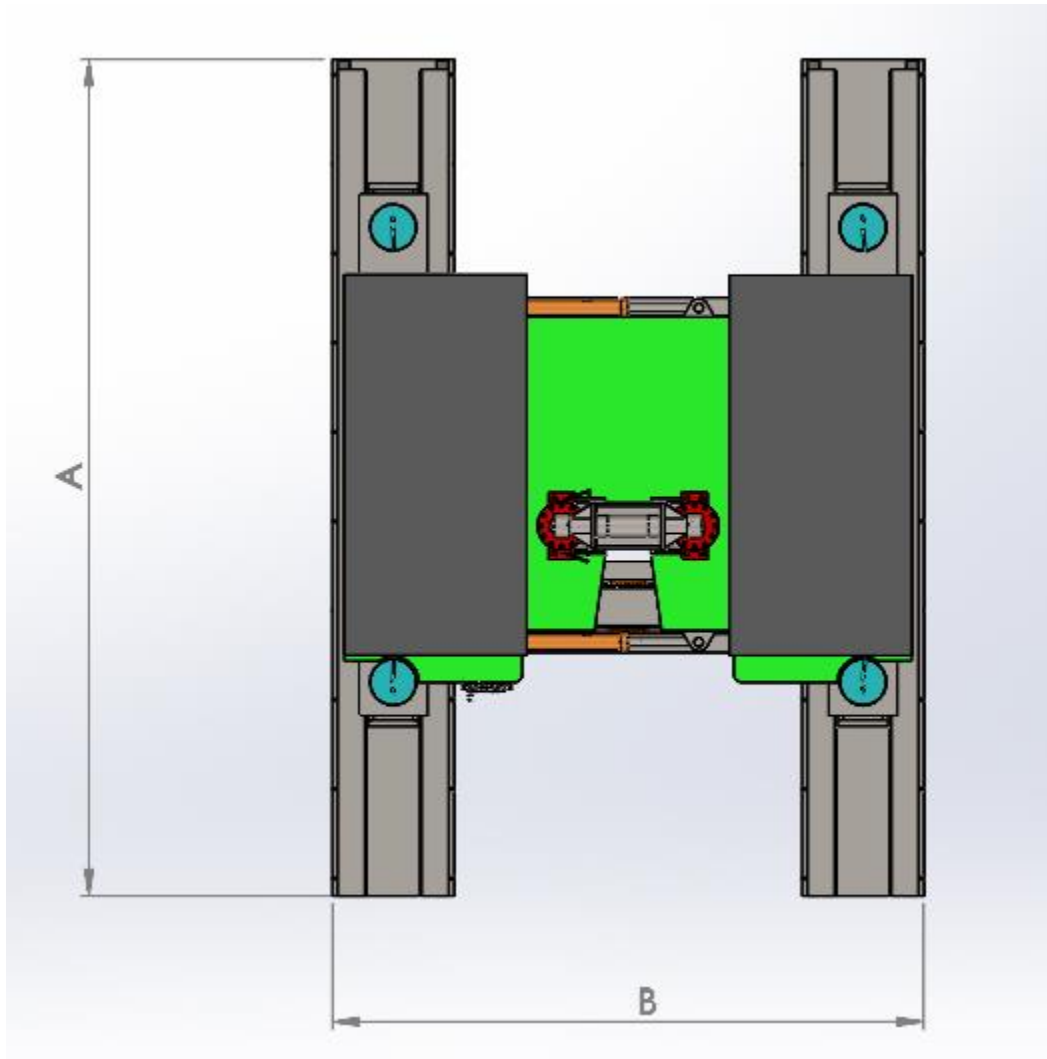
The SHR D80 T – Pile Jet-in machine is designed with:-

### Product Features

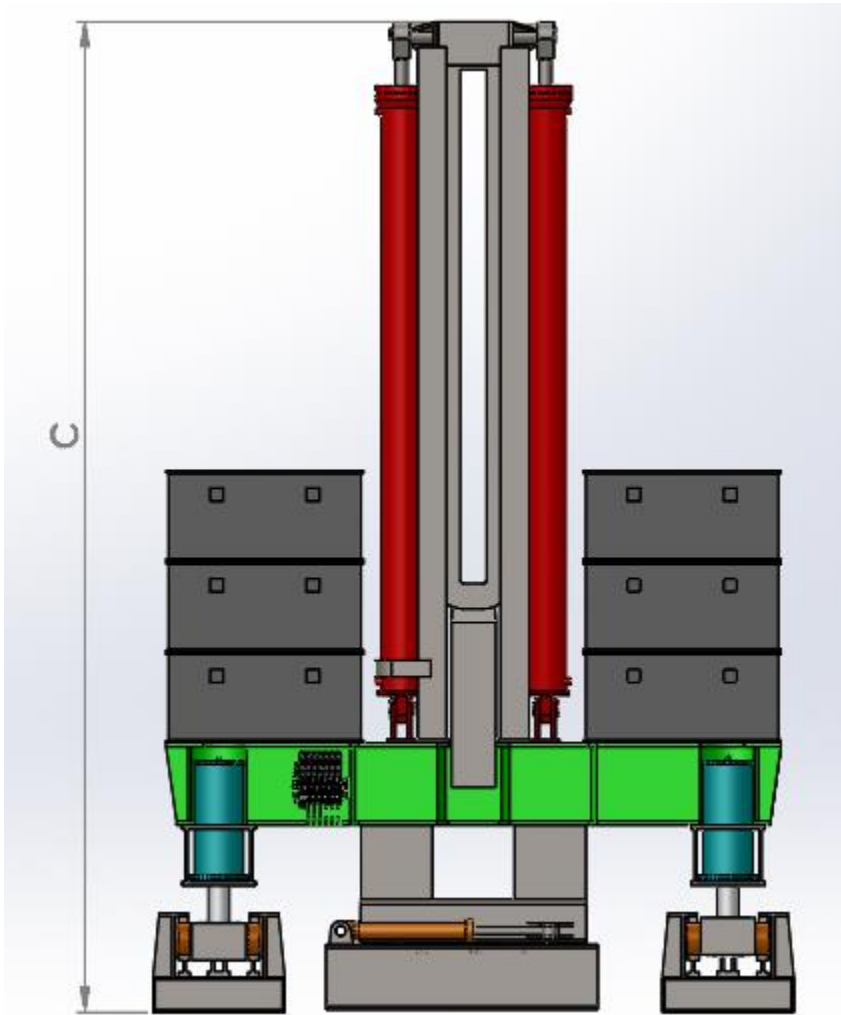
- a) Environmental Friendly
- b) Easy to operate
- c) Mature Technology
- d) Fast Driving pile speed
- e) High piling quality



The dimension of the Hydraulic Jet-in Pile Machine



Top View of the Hydraulic Jet-In Pile Machine



Front View of the Hydraulic Jet in Pile Machine

No	Model	Unit	SHR D80 T
1	Power Rate	kW	82
2	Max Pressing Force	kg	2400
3	Square Pile Size	mm	250 (Max size)
4	Round bar Size	mm	250 (Max size)
5	No of Hydraulic Jet in Cylinder	unit	2
6	Pile Driving Stroke	mm	3334
7	Vertical Moving Distance	mm	893
9	Horizontal Moving Distance	mm	564
10	Machine Over size A x B x C	mm	5500 x 3892 x 6200
11	Total Weight of Machine	Ton	95