

## S411/IND Conductivity Inductive Sensors

- *Low maintenance*
- *Online, immersion or tank version available*
- *Ideal for cooling towers, process water, concentrated solutions*



The inductive sensor S411/IND series was designed and developed to produce a very performing and -at the same time- very competitive electrode.

This result was obtained molding the sensor using polypropylene reinforced with fiberglass.

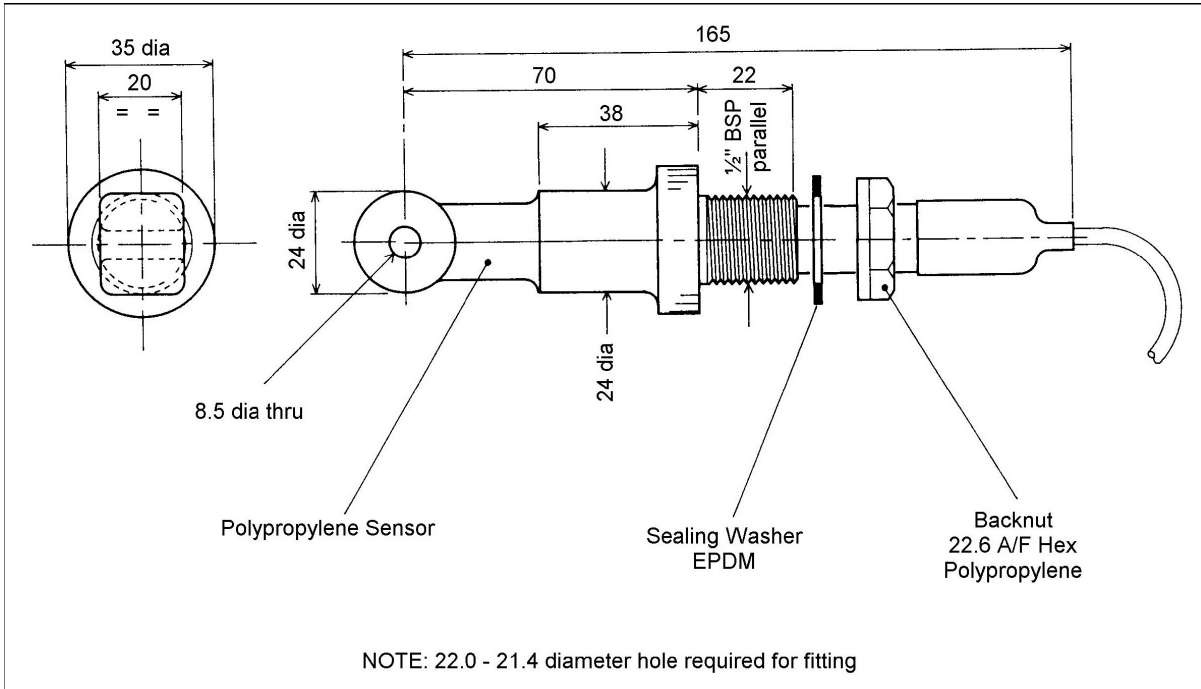
This sensor offers all the advantages of the inductive conductivity measure, first of all the absence of passivation of the conventional conductive electrodes.

All of S410/IND sensors are temperature compensated, designed for online, immersion or tank installation.

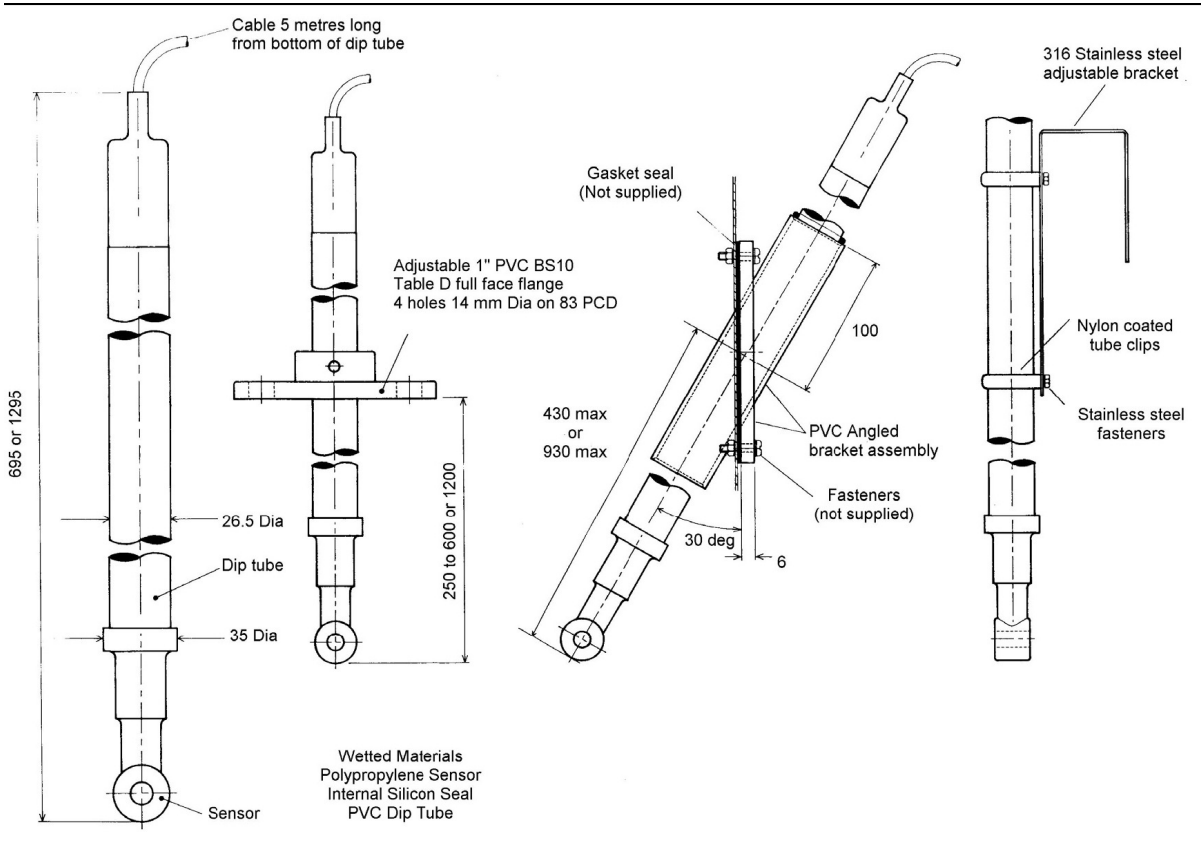
Technical Data					
<b>Sensor</b>	Temperature	- 5 to 60°C (non-freezing)	<b>Mechanical Construction</b>	Materials	PVC with Viton sealing
	Measuring range	1.000uS ..1.000mS		Materials in contact	Polypropylene reinforced with fiberglass
	Temperature compensation.	Pt1000 2 wires		Immersion length	600 or 1200 mm
	Cable	Standard 5 meters		Mounting	Standard bracket or Optional Flange
	Operating pressure	From vacuum to 6.5 bar (100 psi)		Connection Protection degree	0.5" BSP male IP68

## Mechanical Dimensions

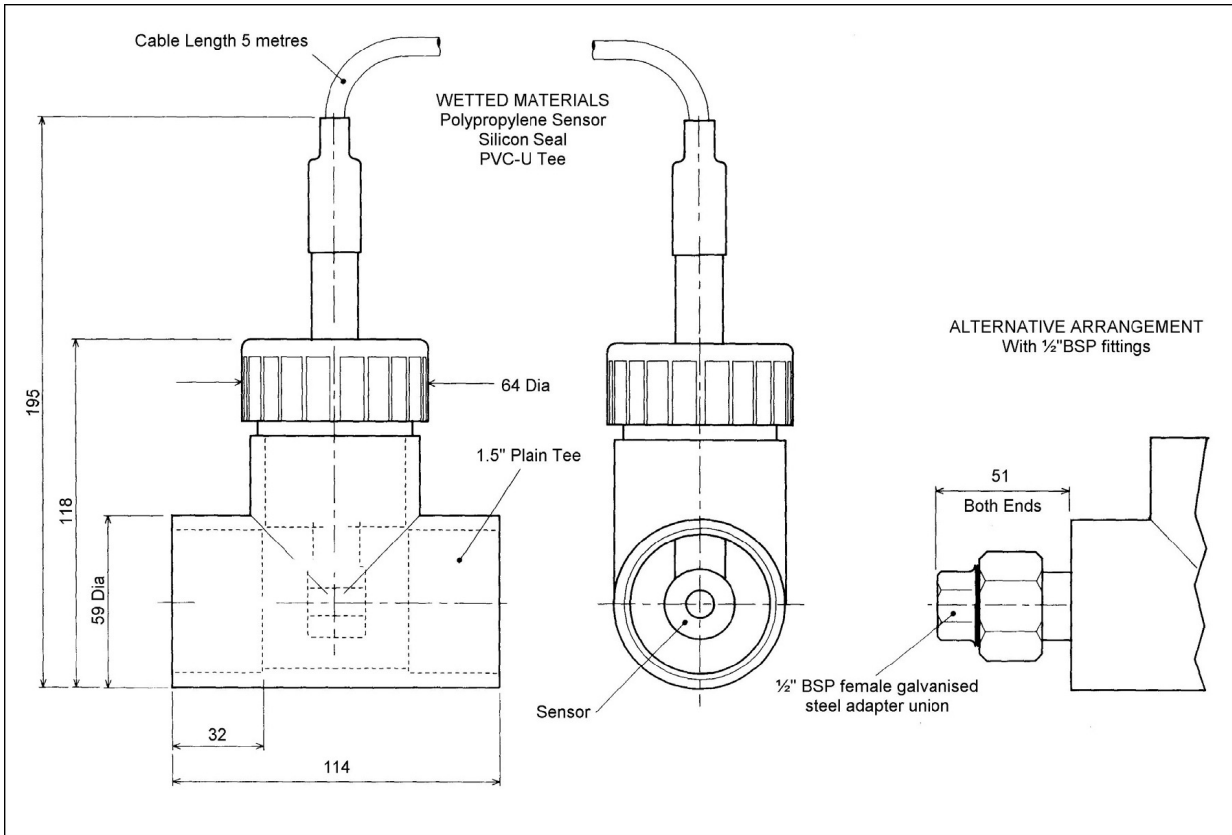
### S411/IND



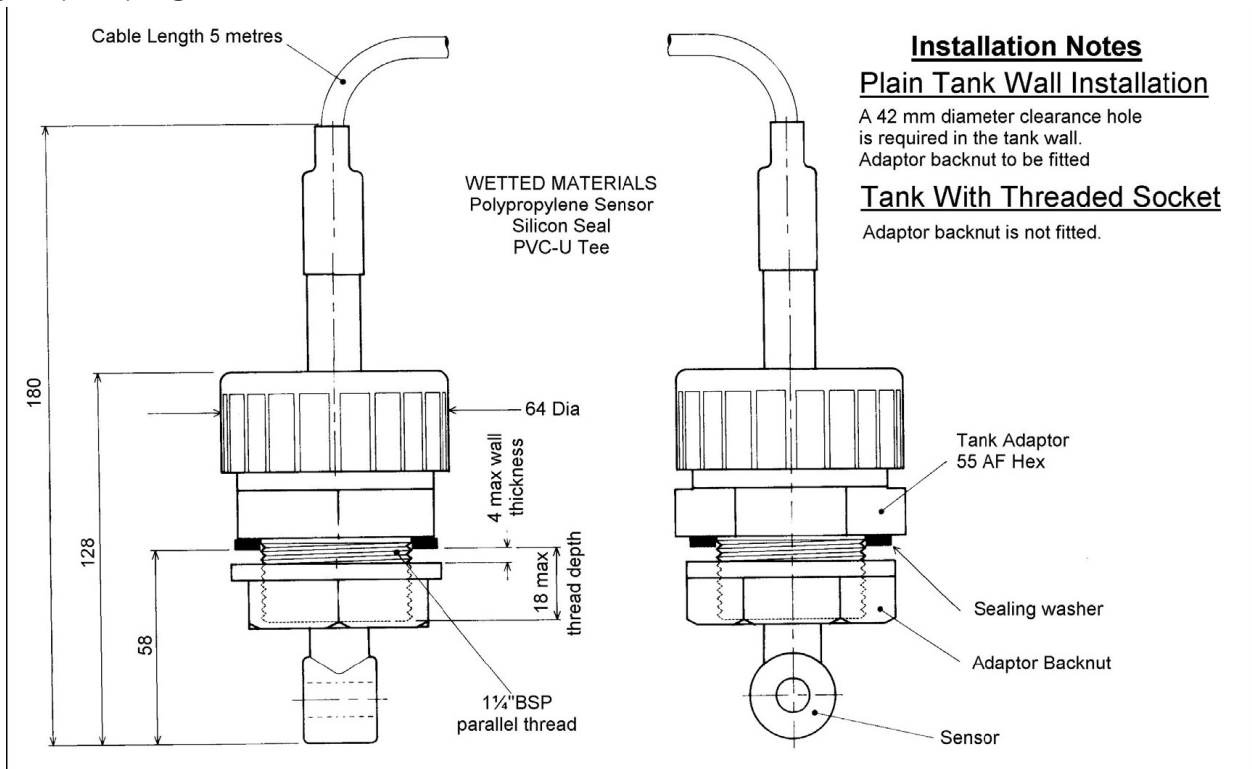
### S411/IND/T



## S411/IND/E



## S411/IND/INS



## Technical data

<b>D411/IND Only sensor – Common to all versions</b>	
Operating Temperature:	-5 to 60°C (non-freezing)
Contact materials:	Polypropylene reinforced with fiberglass
Temperature compensation:	2 wires Pt1000
Cable:	5m solidate (54G)
Connection to the process:	0.5" BSP male threaded
Protection:	IP67
<b>D411/IND/T immersion</b>	
Operating Temperature:	-5 to 60°C (non-freezing)
Immersion pipe material:	PVC
Immersion pipe length :	600 or 1200 mm
Mounting:	Standard bracket or Flange (Optional on request)
Protection:	IP68
<b>D411/IND/E insertion with T-joint</b>	
Operating Temperature:	-5 to 60°C (non-freezing)
Materials of the joint :	PVC with Viton sealing
Dimensions :	T-joint with 1.5" GAS Female threaded or 0.5" GAS joints in galvanized metal (mod. S411/IND/E/0.5)
Operating Pressure	From vacuum to 6.5 bar (100 psi).
<b>D411/IND/INS on wall direct insertion</b>	
Operating Temperature:	-5 to 60°C (non-freezing)
Materials of the joint :	PVC with Viton sealing
Dimensions :	1.25" GAS swivel with adapter flange
Operating Pressure	From vacuum to 6.5 bar (100 psi).