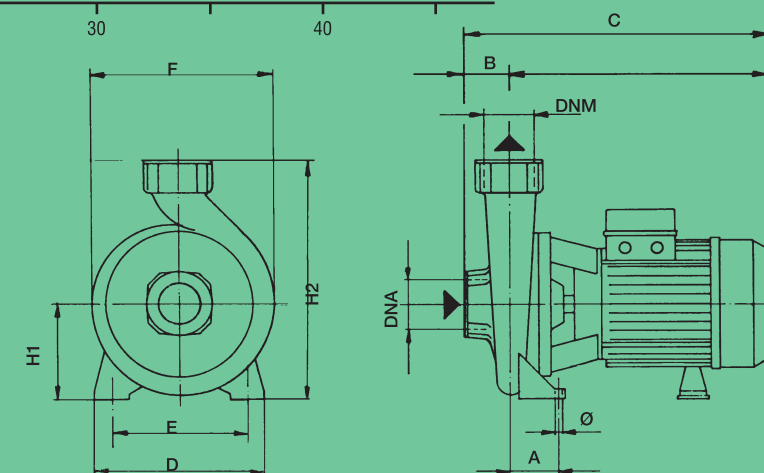
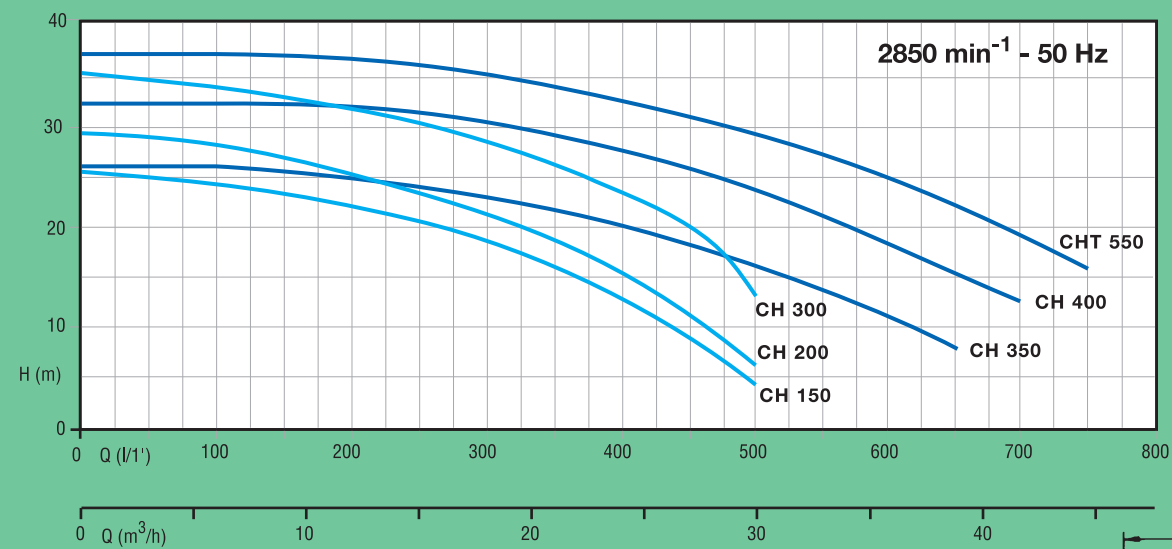


CHT 200

CHT 400



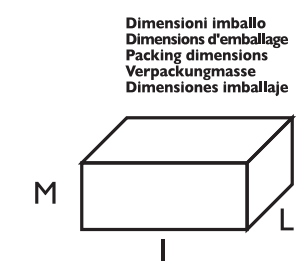
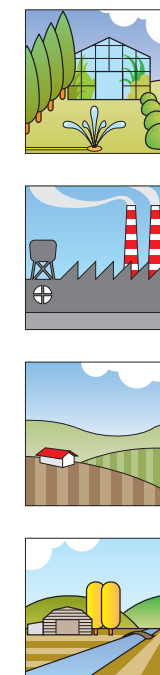
per caratteristiche-varianti costruttive pag. 80 - for features schedule-constructural variances pag. 80



TIPO - TYPE		P ₂ nom.		P ₁ (kW) CAx.		AMPERE		Q = portata - débit - capacity - Fördermenge - caudal						
1 ~	3 ~	HP	kW	1 ~	3 ~	1 ~	3 ~	6	12	18	24	30	36	42
230 V - 50 Hz	230/400 V - 50 Hz							m ³ /h	l/1'	100	200	300	400	500
CH 150	CHT 150	1.5	1.1	1.90	1.90	9.2	3.4	24.5	22.5	18.5	12.5	4		
CH 200	CHT 200	2	1.5	2.49	2.36	11.5	4.2	28	25	21	15	5.5		
CH 300	CHT 300	3	2.2	3.10	3.10	13.6	5.3	33.5	31.5	28	22.5	13.5		
CH 350	CHT 350	3	2.2	2.95	2.84	13.5	5.1	26	25	23	20	16	10.5	
CH 400	CHT 400	4	3	4.60	4.20	20.5	7.6	31.8	31.6	29.7	27.8	23	18.6	12.3
-	CHT 550	5.5	4	-	5.10	-	10	37	37	35.5	33	29.4	25	19

TIPO TYPE	Dimensioni mm Dimensions mm Dimensions mm Masstabelle mm Dimensiones mm										Dimensioni imballo mm Dimensions d'emballage mm Packing dimensions mm VerpackungCAsse mm Dimensiones embalaje mm			Peso Poids Weight Gewicht Peso	
	A	B	C	D	E	F	Ø	H1	H2	DNA	DNM	I	L		M
CH 150	57	52	370	200	160	215	9.5	110	280	2" G	2" G	390	230	300	22
CH 200	57	52	370	200	160	215	9.5	110	280	2" G	2" G	390	230	300	24
CH 300	57	52	410	200	160	215	9.5	110	280	2" G	2" G	430	230	300	32
CHT 300	57	52	370	200	160	215	9.5	110	280	2" G	2" G	390	230	300	26
CH 350	105	70	425	240	190	240	14	126	306	3" G	2" G	460	270	360	34.5
CHT 350	105	70	385	240	190	240	14	126	306	3" G	2" G	400	270	360	28.5
CH 400	105	70	445	240	190	240	14	126	306	3" G	2" G	460	270	360	38.7
CHT 400	105	70	425	240	190	240	14	126	306	3" G	2" G	460	270	360	33.2
CHT 550	105	70	445	240	190	240	14	126	306	3" G	2" G	460	270	360	38.7

- **serie CH**
elettropompe centrifughe
1 girante
- **serie CH**
electropompes centrifuges
1 turbine
- **serie CH**
centrifugal electric pumps
1 impeller
- **baureihe CH**
Kreisel-Elektropumpen
1 Laufrad
- **serie CH**
electrobombas centrifugas
1 rodete



CENTRIFUGHE centrifugal electric pumps

ELETTROPOMPE