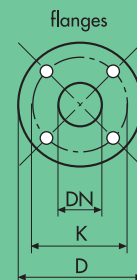
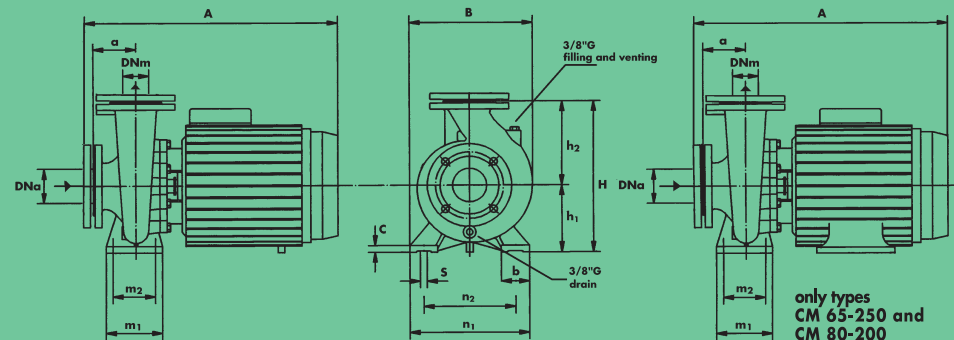
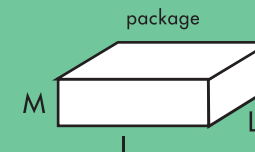


per caratteristiche-varianti costruttive pag. 80 - for features schedule-constructural variances pag. 80



DN	D	K	holes	
			n°	ø
32	140	100	4	18
40	150	110	4	18
50	165	125	4	18
65	185	145	4	18
80	200	160	4	18
100	220	180	8	18



PERFORANCES AND APPLICATIONS

Close coupled centrifugal electric pumps single impeller with pump casing, manufactured according DIN 24255 - UNI 7467 rules, connected to the motor through a strainer.
 CM series is very extended: the different performance curves allow a right choice of the optimal model following all kinds of specific deCAnds in several fields as: watersupply for living uses, agricultural, industrial uses and general water plants projects: water supply, spray irrigations and watering, pressure sets, heating and air conditioning plants, any other use for liquid decanting.

CONSTRUCTION FEATURES

Pump casing of cast iron according DIN 24255 - UNI 7467, suction and delivery are flanged (UNI 2236 PN 10) and supplied with threaded counterflanges (UNI 2254 PN 10 - 16); MOTOR BACKET and IMPELLER of cast iron; MECHANICAL SEAL of carbide-ceramic built-in on extended motor shaft of stainless steel; asynchronous MOTOR, 2-poles, totally closed and fan cooled suitable for duty service, insulation class F, protection degree IP 44.

TECHNICAL DATA

CAPACITY: from 4,5 up to 240 m³/h.
 TOTAL HEAD up to 93 m.
 PUMP LIQUID: pure water, neutral liquids, chemically and mechanically not aggressive for the materials of the pump; temperature from -10°C up to 90°C.
 ROOM TEMPERATURE: lower than 40°C.
 CAXIMUM WORKING PRESSURE: 10 bar.
 INSTALLATION: fixed, in any possible position except the suction upwards.

TYPE ELECTRIC PUMP	DIMENSIONS (mm)													Weight kg	PACKAGE (mm)				
	DNm	DNa	a	h ₁	h ₂	m ₁	m ₂	n ₁	n ₂	b	c	s	A		B	H	I	L	M
CM 32-160 C	32	50	80	132	160	100	70	240	190	50	12	14	490	240	292	38	520	260	355
CM 32-160 B	32	50	80	132	160	100	70	240	190	50	12	14	490	240	292	39	520	260	355
CM 32-160 A	32	50	80	132	160	100	70	240	190	50	12	14	490	240	292	42	520	260	355
CM 32-200 C	32	50	80	160	180	100	70	240	190	50	12	14	505	268	340	51,5	530	305	400
CM 32-200 B	32	50	80	160	180	100	70	240	190	50	12	14	565	268	340	63	615	310	460
CM 32-200 A	32	50	80	160	180	100	70	240	190	50	12	14	565	268	340	69	615	310	460
CM 32-250 C	32	50	100	180	225	125	95	320	250	65	12	14	625	305	405	83	665	335	535
CM 32-250 B	32	50	100	180	225	125	95	320	250	65	14	14	625	305	405	90	665	335	535
CM 32-250 A	32	50	100	180	225	125	95	320	250	65	14	14	695	305	405	120	735	355	535
CM 40-125 C	40	65	80	112	140	100	70	210	160	50	12	14	495	220	252	36	520	260	355
CM 40-125 B	40	65	80	112	140	100	70	210	160	50	12	14	495	220	252	37	520	260	355
CM 40-125 A	40	65	80	112	140	100	70	210	160	50	12	14	495	220	252	40	520	260	355
CM 40-160 B	40	65	80	132	160	100	70	240	190	50	12	14	500	245	292	47	520	260	355
CM 40-160 A	40	65	80	132	160	100	70	240	190	50	15	14	500	245	292	50	520	260	355
CM 40-200 B	40	65	100	160	180	100	70	265	212	50	15	14	590	273	340	65	615	310	460
CM 40-200 A	40	65	100	160	180	100	70	265	212	50	15	14	590	273	340	71	615	310	460
CM 40-250 B	40	65	100	180	225	125	95	320	250	65	15	14	630	322	405	91	665	335	535
CM 40-250 A	40	65	100	180	225	125	95	320	250	65	15	14	700	322	405	121	735	355	535
CM 50-125 B	50	65	100	132	160	100	70	240	190	50	12	14	525	250	292	47	520	260	355
CM 50-125 A	50	65	100	132	160	100	70	240	190	50	12	14	525	250	292	50	520	260	355
CM 50-160 B	50	65	100	150	180	100	70	265	212	50	12	14	590	270	340	65	615	310	460
CM 50-160 A	50	65	100	150	180	100	70	265	212	50	12	14	590	270	340	71	615	310	460
CM 50-200 C	50	65	100	160	200	100	70	265	212	50	12	14	635	290	360	82	665	335	535
CM 50-200 B	50	65	100	160	200	100	70	265	212	50	12	14	635	290	360	89	665	335	535
CM 50-200 A	50	65	100	160	200	100	70	265	212	50	12	14	705	290	360	122	735	355	535
CM 50-250 C	50	65	100	180	225	125	95	320	250	65	14	14	705	332	405	125	735	355	535
CM 50-250 B	50	65	100	180	225	125	95	320	250	65	14	14	750	332	405	140	815	355	535
CM 50-250 A	50	65	100	180	225	125	95	320	250	65	14	14	750	332	405	149	815	355	535
CM 65-125 B	65	80	100	160	180	125	95	280	212	65	14	14	605	280	340	64	615	310	460
CM 65-125 A	65	80	100	160	180	125	95	280	212	65	14	14	605	280	340	70	615	310	460
CM 65-160 C	65	80	100	160	200	125	95	280	212	65	14	14	635	290	360	84	665	335	535
CM 65-160 B	65	80	100	160	200	125	95	280	212	65	14	14	635	290	360	90	665	335	535
CM 65-160 A	65	80	100	160	200	125	95	280	212	65	14	14	705	290	360	120	735	355	535
CM 65-200 C	65	80	100	180	225	125	95	320	250	65	14	14	705	330	405	122	735	355	535
CM 65-200 B	65	80	100	180	225	125	95	320	250	65	14	14	750	330	405	138	815	355	535
CM 65-200 A	65	80	100	180	225	125	95	320	250	65	14	14	750	330	405	148	815	355	535
CM 65-250 B	65	80	100	200	250	160	120	360	280	80	16	19	850	370	450	239	850	380	490
CM 65-250 A	65	80	100	200	250	160	120	360	280	80	16	19	850	370	450	253	850	380	490
CM 80-160 D	80	100	125	180	225	125	95	320	250	65	14	14	665	330	405	98,5	665	335	535
CM 80-160 C	80	100	125	180	225	125	95	320	250	65	14	14	735	330	405	129	735	355	535
CM 80-160 B	80	100	125	180	225	125	95	320	250	65	14	14	780	330	405	143	815	355	535
CM 80-160 A	80	100	125	180	225	125	95	320	250	65	14	14	780	330	405	152	815	355	535
CM 80-200 B	80	100	125	180	225	125	95	345	280	65	16	14	870	355	405	233	850	380	490
CM 80-200 A	80	100	125	180	225	125	95	345	280	65	16	14	870	355	405	247	850	380	490

centrifugal electric pumps CENTRIFUGHE