

## Performance Specifications

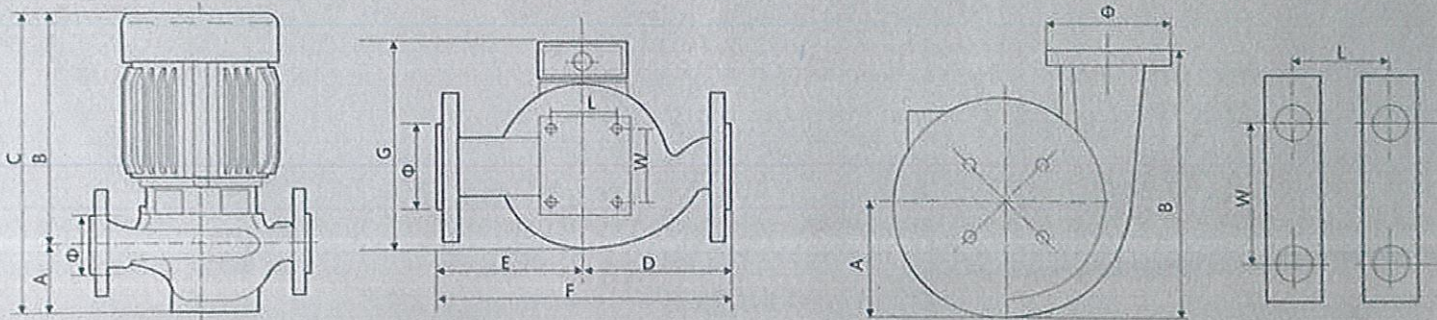
Model	GDB-32V	GDB-40V	GDB-50V	GDB-65V	GDB-80V
Output(kW/HP)	0.37/0.5	0.75/1	1.5/2	2.25/3	3.75/5
Head(m)	20	22	24	24	34
Flow quantity(L/min)	110	250	310	500	790
Speed(r/min)	2850	2850	2850	2850	2850
Refrigeration (Ton)	Max 5 Min 10	15 20	25 30	40 50	60 80
Water outlet diameter(mm/inch)	32/1.25"	40/1.5"	50/2"	65/2.5"	80/3"
Current(A)	0.89	2	3	5	8

Other voltages and frequencies available on request.

## Performance Specifications

Model	GDB-32H	GDB-40H	GDB-50H	GDB-65H	GDB-80H	GDB-100-7.5H	GDB-100-10H
Output(kW/HP)	0.37/0.5	0.75/1	1.5/2	2.25/3	3.75/5	5.5/7.5	7.5/10
Head(m)	12	15.5	18.5	20.5	23	25	27
Flow quantity(L/min)	120	210	295	475	800	1100	1450
Speed(r/min)	2850	2850	2850	2850	2850	2850	2850
Refrigeration (Ton)	Max 5 Min 10	15 20	25 30	40 50	60 80	80 100	100 125
Water outlet diameter(mm/inch)	32/1.25"	40/1.5"	50/2"	65/2.5"	80/3"	100/4"	100/4"
Current(A)	0.89	2	3	5	8	11.1	15

Other voltages and frequencies available on request.



Model	A	B	C	D	E	F	G	Φ	L	W
GDB-32V	71	283	354	125	125	250	220	32	139	131
GDB-40V	82	316	398	140	140	280	220	40	139	131
GDB-50V	87	323	410	150	150	300	240	50	163	130
GDB-65V	102	363	465	160	160	320	240	65	163	130
GDB-80V	114	429	543	165	165	330	292	80	149	159
GDB-100-7.5V	122	485	607	195	195	390	335	100	209	219
GDB-100-10V	122	525	647	195	195	390	335	100	209	219

Model	A	B	Φ	L	W	Length	Width
GDB-32H	93	206	32	114	77	360	220
GDB-40H	95	212	40	114	95	390	220
GDB-50H	100	234	50	116	100	400	240
GDB-65H	107	245	65	116	120	450	255
GDB-80H	135	287	80	163	150	550	310