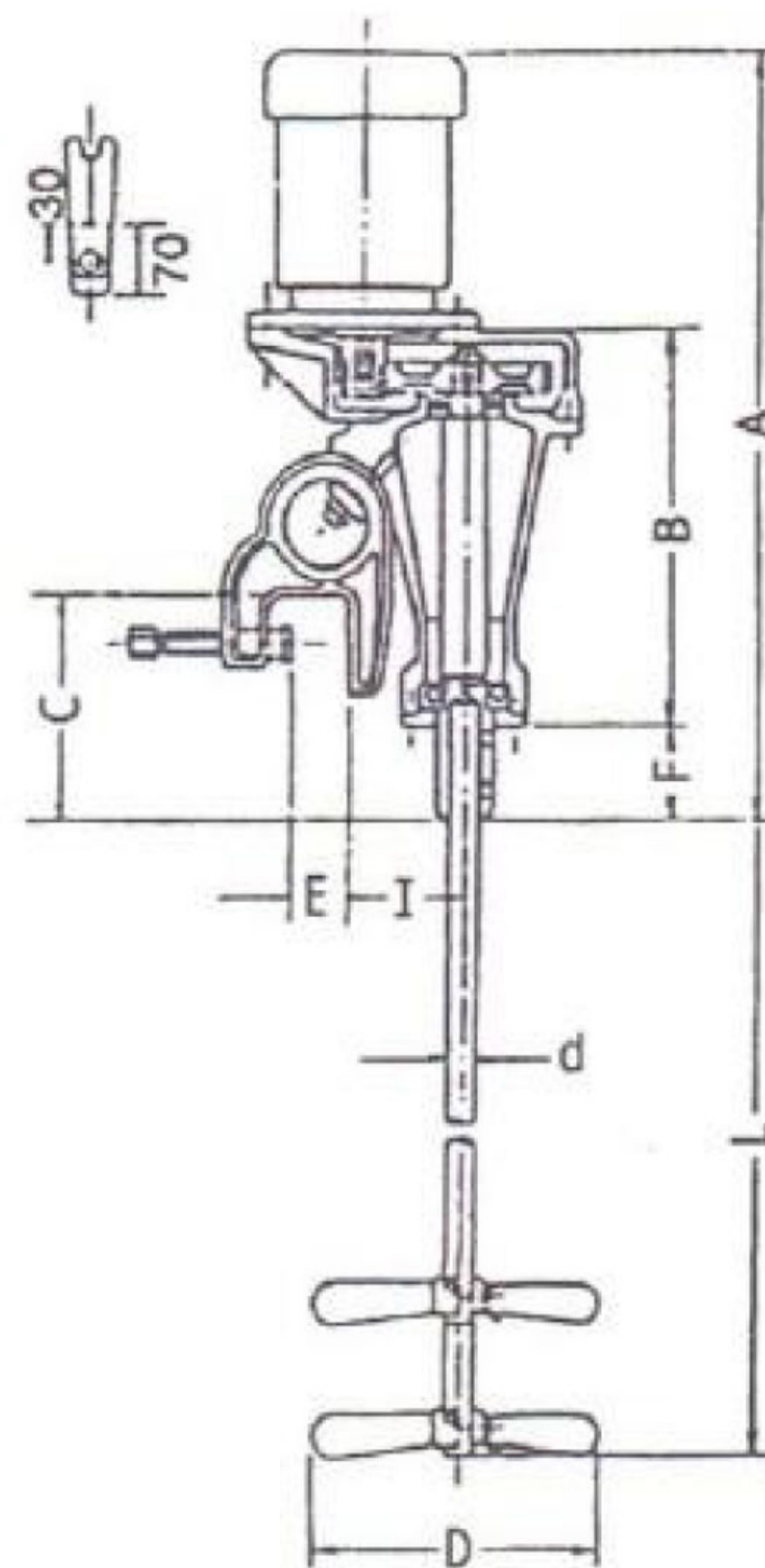
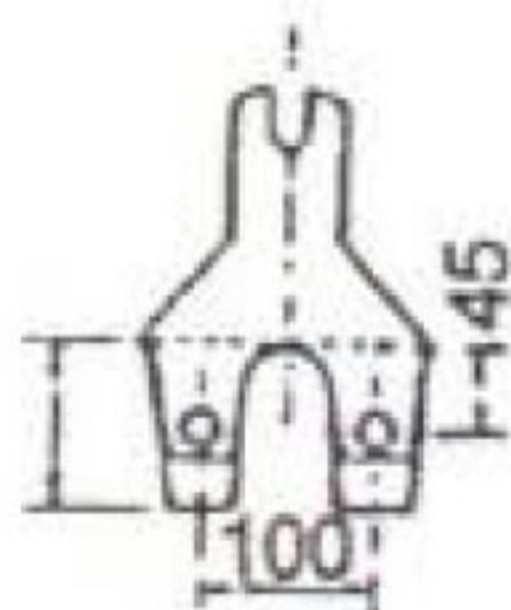


TOHO MIXER SERIES

Type TG

Type TG is most extensively used in the agitation of dilute solutions of small to large volume.

- Small size and light weight agitator with simple construction
- Can be mounted easily to the tank wall and frame with C clamp.
- Popular in pollution abatement equipment and extensively used in dissolving reactions of chemical.



Shinko Agitator
Type TG



Model		TG-10	TG-20	TG-40	TG-75
Motor (Weather Proof)	kW	0.1	0.2	0.3	0.75
	V	220/415	220/415	220/415	220/415
	Phase	3	3	3	3
Shaft (SUS304)	Length	800	1000	1200	1350
	CD (mm)	16	16	22	22
Propeller 3 Blades (SUS304)	CD (mm)	160	200	250	300
	x 2 pcs				
Dim	A (mm)	530	530	570	730
	B (mm)	260	260	260	350
	C (mm)	150	150	150	200
Capacity (Liters)	Low Viscosity	620	1250	2500	5000
	Med Viscosity	200	400	600	1300
	High Viscosity				
Rpm		50 Hz: 295/60 Hz: 350			
Weight (kg) (With Motor)		19.5	21.5	30	53