

YK600XS

Ceiling-mount / inverse type

- Arm length 600mm
- Maximum payload 10kg

Note. Built-to-order product.
Contact us for the delivery period.



Ordering method

YK600XS				RCX240		R			BB	YK600XS (inverse ceiling-mount)
Model	Installation method ^{Note1}	Z axis stroke	Cable length	Controller	Usable for CE	Regenerative unit	Expansion I/O ^{Note2}	Network option	Battery	
	N: Ceiling-mount (same as per external view) I: Inverse ceiling-mount (upside down)	200: 200mm 300: 300mm	3L: 3.5m (Standard) 5L: 5m 10L: 10m		No entry: Standard E: CE marking	R: RGU-2	N, P: Standard I/O 16/8 N1, P1: 40/24 N2, P2: 64/40 N3, P3: 88/56 N4, P4: 112/72	No entry: None CC: CC-Link DN: DeviceNet PB: Profibus EN: Ethernet YC: YC-Link ^{Note3}	BB: 4 pcs	

Note 1. When installing the robot, always follow the specifications.
Do not install the ceiling-mount robot upside down or do not install the inverse type robot to a ceiling.
Incorrect installation can cause trouble or malfunction.
Note 2. Use N to N4 when NPN is selected on the I/O board, and P to P4 when PNP is selected.
Note 3. Available only for the master.
See P.039 for details on YC-Link system.

Specifications

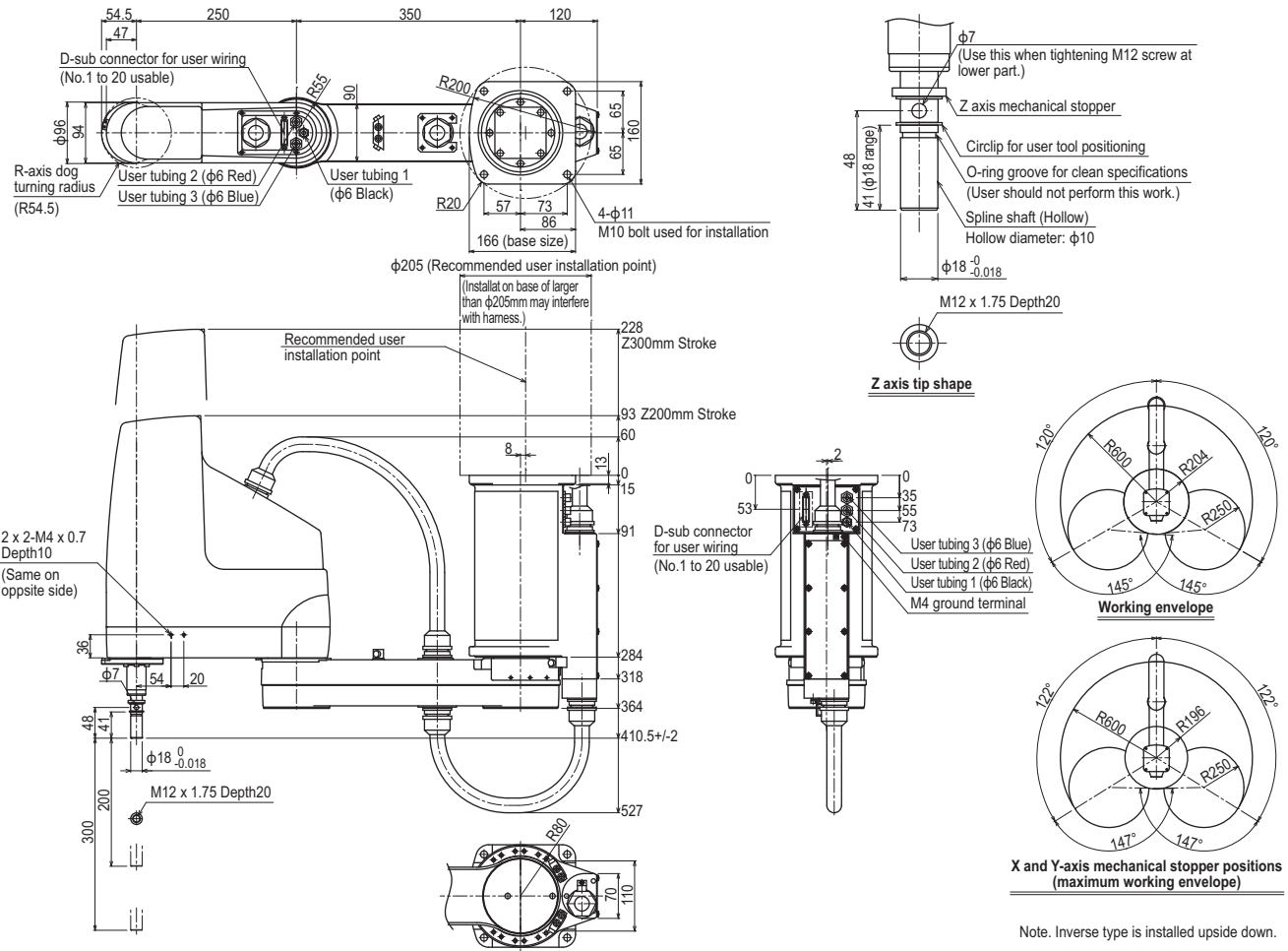
Axis specifications	Arm length (mm)	X-axis	Y-axis	Z-axis	R-axis
Rotation angle (°)		+/-120	+/-145	-	+/-360
AC servo motor output (W)		400	200	200	100
Deceleration mechanism	Speed reducer	Harmonic drive	Harmonic drive	Ball screw	Harmonic drive
	Transmission method	Direct-coupled		Timing belt transmission	Timing belt transmission
	Motor to speed reducer			Timing belt transmission	Timing belt transmission
	Speed reducer to output	Direct-coupled		Direct-coupled	Direct-coupled
Repeatability ^{Note 1} (XYZ mm) (R °)		+/-0.02		+/-0.01	+/-0.005
Maximum speed (XYZ m/sec) (R °/sec)		5.6		1.7	876
Maximum payload (kg)		10			
Standard cycle time with 2kg payload ^{Note 2} (sec)		0.56			
R-axis tolerable moment of inertia ^{Note 3} (kgm ²)		0.12			
User wiring (sq x wires)		0.2 x 20			
User tubing (Outer diameter)		φ6 x 3			
Travel limit		1.Soft limit 2.Mechanical stopper (X,Y,Z axis)			
Robot cable length (m)		Standard: 3.5 Option: 5,10			
Weight (kg) (Excluding robot cable)		32			

Note 1. This is the value at a constant ambient temperature. (X,Y axes)
Note 2. There are limits to acceleration coefficient settings.

Controller

Controller	Power capacity (VA)	Operation method
RCX240-R	1500	Programming / I/O point trace / Remote command / Operation using RS-232C communication

YK600XS



APPLICATION
TRANSERO
Compact
single-axis robots

FLIP-X
Single-axis robots

PHASER
Linear motor
single-axis robots

XY-X
Cartesian
robots

YK-XG
SCARA
robots

YP-X
Pick & place
robots

CLEAN
CLEAN

CONTROLLER
INFORMATION

Try
Small type
Medium type
Large type
Ceiling-mount / inverse type
Dust-proof & drip-proof type