

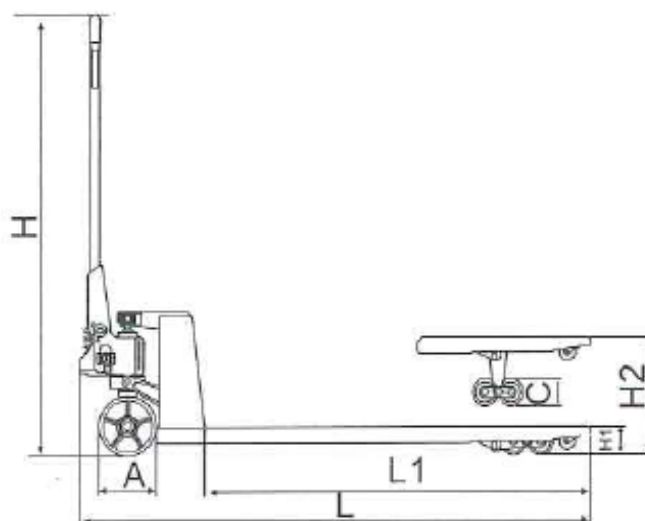
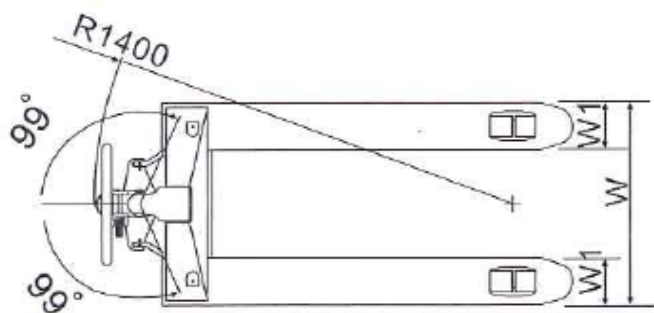
Hand Pallet Truck

CBY-AC

- Whole casting hydraulic pump.
- Integrated valve core.
- Rubber Coated Handle Comfortable.
- Powder coated chassis made of high grade steel.
- Body welded by auto machine.

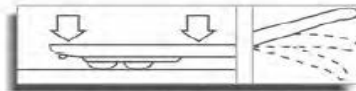


Model	CBY-AC2.5-N	CBY-AC2.5-W	CBY-AC3.0-N	CBY-AC3.0-W
Capacity(kg)	2500		3000	
Width overall forks(mm)(W)	520/550	685	520/550	685
Fork Length(mm)(L1)	1150	1220	1150	1220
Min.fork height(mm)(H1)	85			
Max.fork height(mm)(H2)	195			
Lifting Height(mm)	110			
Single fork width(mm)(W1)	160			
Fork wheel-single(mm)	80x93			
Fork wheel-tandem(mm)	80x70			
Steering wheel(mm)	180x50			
Self Weight(kg)	73-92			





handle A



Lower Position



Neutral Position



Lifting Position

Lower Position—to lower load, pull up on the finger tip control.

Neutral Position—to place finger tip control lever in this position during pulling the truck or load.

Lift Position—to raise load, push down on finger tip control, pump handle to raise the load.



Option : Single fork wheels
tandem fork wheels



- Option of different coating material for both steering wheel and fork rollers.
- Polyurethane—ideal for delicate floors with hard wearing and non-marking property, quiet and durable.
- Nylon—low drag efforts, high resistance to chemicals, non-marking, preferred in food, fishing and chemical industries with smooth level floors.