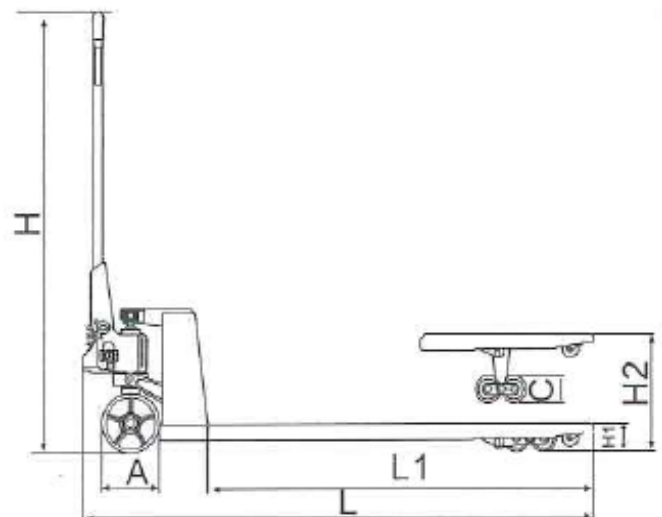
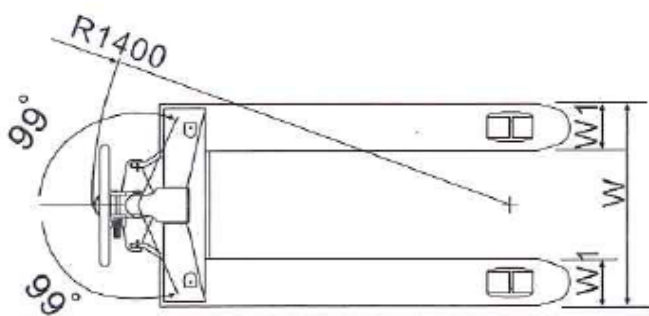
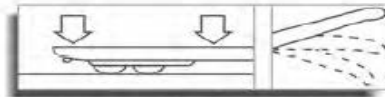


Model	CBY-LC2.0	CBY-LC2.5	CBY-LC3.0
Capacity(kg)	2000/2500/3000		
Lifting Height(mm)(H2)	195		
Lowered fork height(mm)(H1)	85		
Fork Length(mm)(L1)	1400-2500		
Width overall forks(mm)(W)	550/685		
Steering wheel(mm)	180x50		
Fork wheel(mm)	80x70		
Self Weight(kg)	102-175		





handle A



Lower Position



Neutral Position



Lifting Position

Lower Position—to lower load, pull up on the finger tip control.

Neutral Position—to place finger tip control lever in this position during pulling the truck or load.

Lift Position—to raise load, push down on finger tip control, pump handle to raise the load.



- Option of different coating material for both steering wheel and fork rollers.
- Polyurethane—ideal for delicate floors with hard wearing and non-marking property, quiet and durable.
- Nylon—low drag efforts, high resistance to chemicals, non-marking, preferred in food, fishing and chemical industries with smooth level floors.