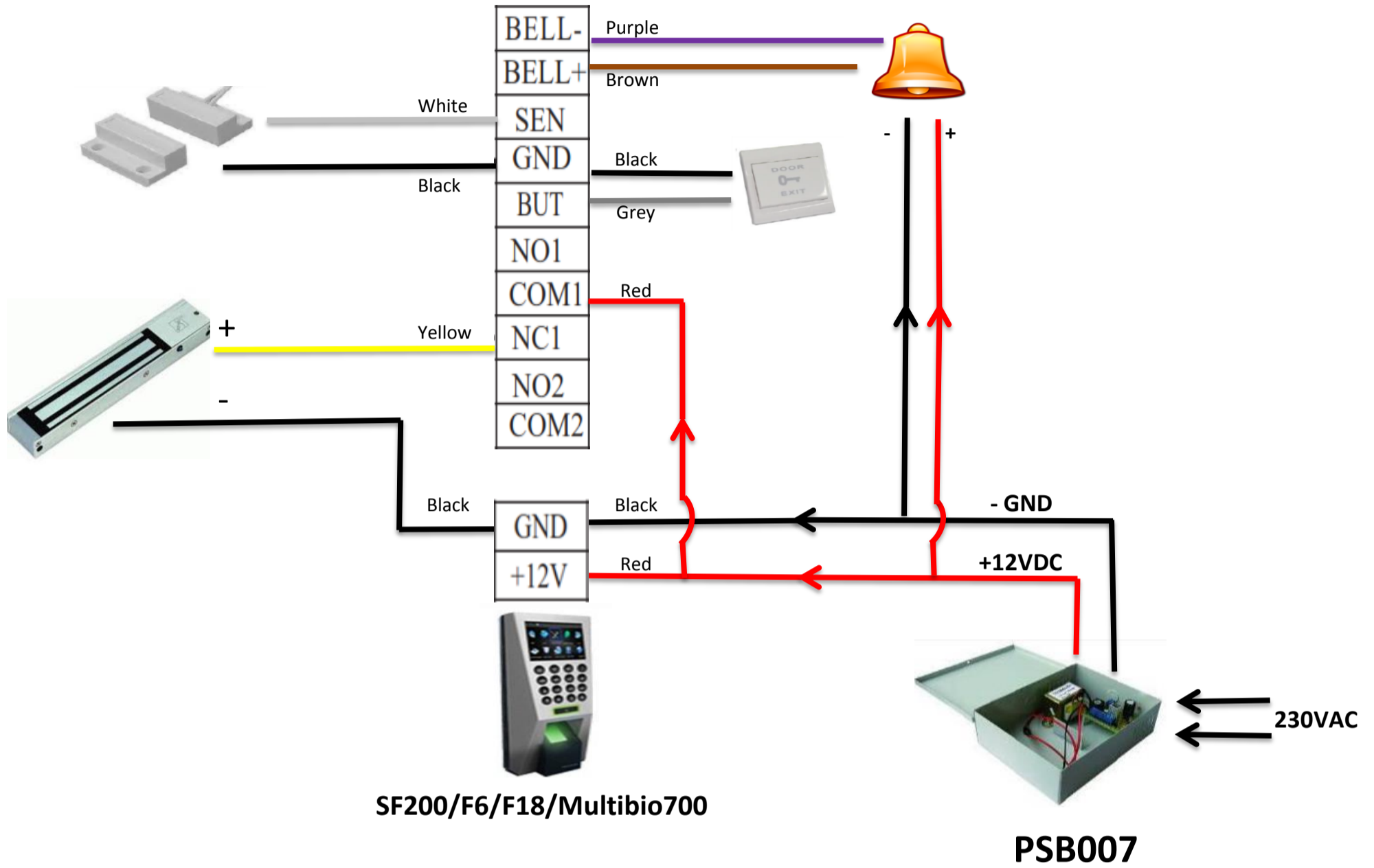


WIRING DIAGRAM FOR ZK BIOMETRIC DEVICES

Please follow EXACTLY as per the diagram below. Any short circuit which causes the device to malfunction will immediately void the warranty.

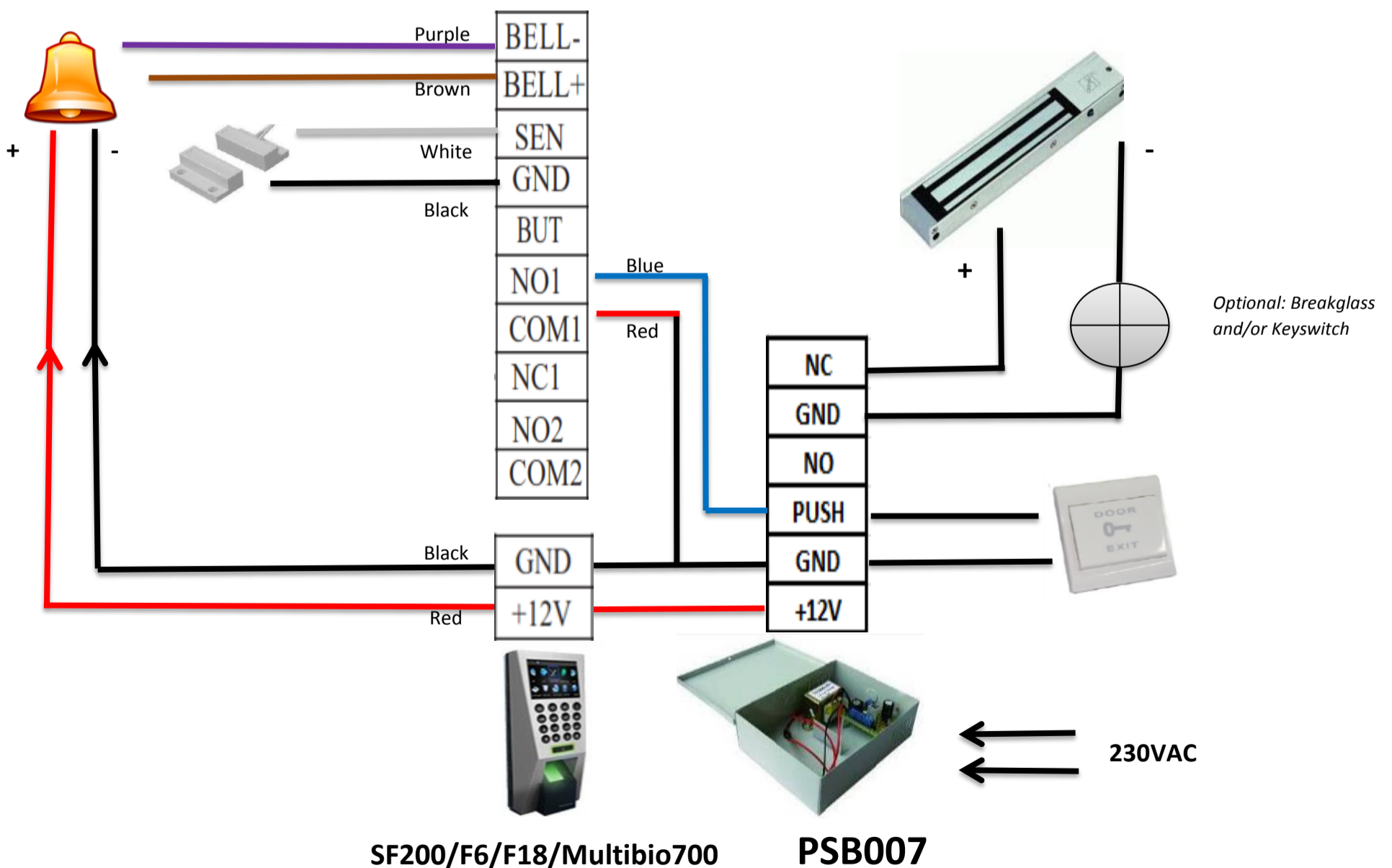
METHOD 1 : BASIC INSTALLATION

*Applicable for Single EM-Lock only



METHOD 2 : TAMPER-PROOF INSTALLATION (RECOMMENDED)

*Must use this method if using Dual EM Lock



After setting this up, Goto Main Menu > User Management > Access > Access control Parameter > Lock Time 2 sec