

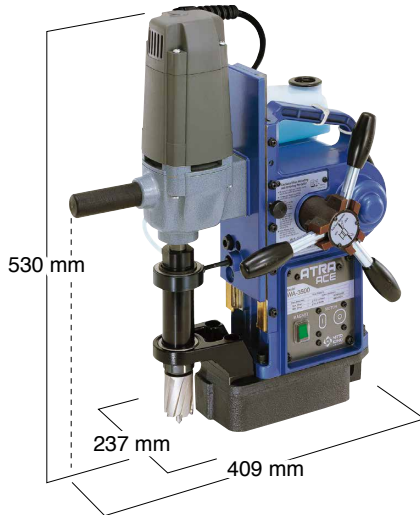
# BORING

Portable Magnetic Base Drilling Machine

## ATRA ACE auto

Model **WA-3500** 

• Max. 35 mm dia. x 50 mm deep



## High-performance feed system & high-tech components

• Drilling time and cutting performance are enhanced by the automatic feed function.

Model **WA-5000** 

• Max. 50 mm dia. x 75 mm deep



### Specifications

Model		WA-3500		WA-5000	
Power Source (Single Phase)		110 - 120 V AC, 50/60 HZ	220 - 240 V AC, 50/60 Hz	110 - 120 V AC, 50/60 HZ	220 - 240 V AC, 50/60 Hz
Electric Drill	Rated Power Consumption	W		1100	
	Rated Current	A	10.2	5.1	
	No-load Speed	min <sup>-1</sup> (rpm)	950		350 / 650
Magnet Power Consumption		W		34	
Hole Capacity mm	Cutter	Hole Diameter	Plate Thickness	Hole Diameter	Plate Thickness
	One-touch Type JETBROACH 25L	-	-	12 to 17	9 to 25
	One-touch Type JETBROACH 35L	17.5 to 35	9 to 35	17.5 to 40	9 to 35
	One-touch Type JETBROACH 50L	17.5 to 35	9 to 50	12 to 50	9 to 50
	One-touch Type JETBROACH 75L	-	-	17.5 to 50	9 to 75
	One-touch Type HI-BROACH 25L	14 to 35	9 to 25	14 to 50	9 to 25
One-touch Type HI-BROACH 50L	-	-	14 to 50	9 to 50	
Max. Stroke	mm	83		107	
Magnet Holding Power	N(kgf)	7056 (720)		9800 (1000)	
Magnet Dimensions	mm	92 x 213		101 x 201	
Power Cord Length	m	3		3	
Mass (Weight)	kg	20		23	
Accessories Included		<ul style="list-style-type: none"> <li>• Carry Case</li> <li>• Cutting Oil 0.5L</li> <li>• Pilot Pin 08035</li> <li>• Side Handle</li> </ul>		<ul style="list-style-type: none"> <li>• 3 mm Hex. Socket Screw Key</li> <li>• 8 x 10 mm Spanner</li> <li>• Guard</li> <li>• Chain</li> </ul>	
				<ul style="list-style-type: none"> <li>• Carry Case</li> <li>• Cutting Oil 0.5L</li> <li>• Pilot Pin 08050</li> <li>• Side Handle</li> <li>• 3 mm Hex. Socket Screw Key</li> </ul>	
				<ul style="list-style-type: none"> <li>• 4 mm Hex. Socket Screw Key</li> <li>• 8 x 10 mm Spanner</li> <li>• Guard</li> <li>• Chain</li> <li>• Chip Breaker</li> </ul>	

### Optional Accessories

Ref. No.	PN	Description	Sales Unit	Applicable Model	
				WA-3500	WA-5000
1	TB05186	Chip Breaker Ass'y	1 piece	●	●
2	TB01507	Cutting Oil 2L	1 piece	●	●
3	TB04374	Supporting Magnet Ass'y	1 piece	●	●
4	TB02536	Sleeve 6.5 for Triangle Shank Drill Bit	1 piece	●	●
5	TB07696	Pipe Attachment Ass'y	1 piece	●	●
		One-touch Type JETBROACH 25L	1 piece	●	●
		One-touch Type JETBROACH 35L	1 piece	●	●
		One-touch Type JETBROACH 50L	1 piece	●	●
		One-touch Type JETBROACH 75L	1 piece	●	●
		One-touch Type HI-BROACH 25L	1 piece	●	●
		One-touch Type HI-BROACH 50L	1 piece	●	●

