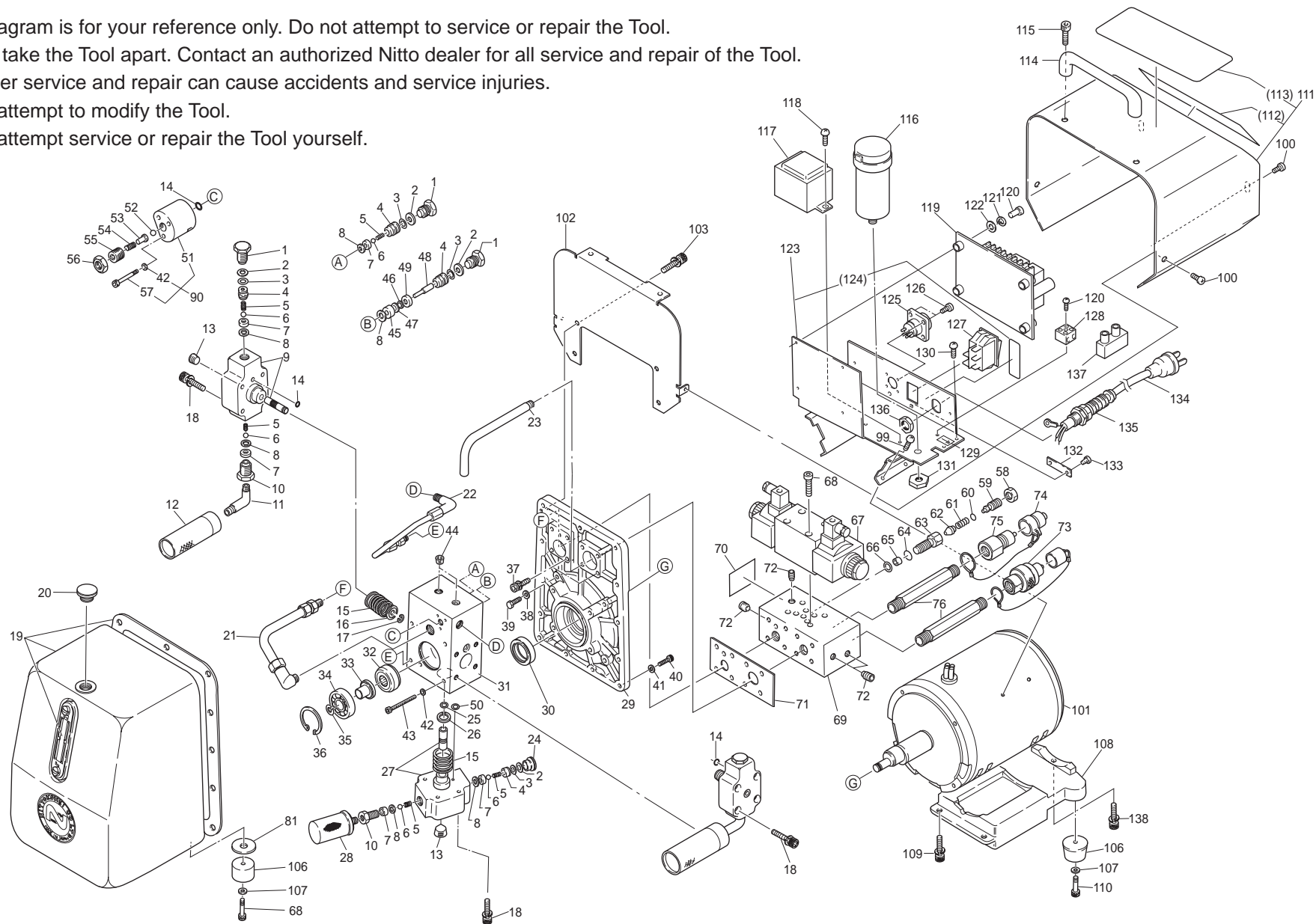


HPD-05 ASSEMBLY

WARNING

This diagram is for your reference only. Do not attempt to service or repair the Tool.
 Do not take the Tool apart. Contact an authorized Nitto dealer for all service and repair of the Tool.
 Improper service and repair can cause accidents and service injuries.
 Never attempt to modify the Tool.
 Never attempt service or repair the Tool yourself.



HPD-05 PARTS LIST

The part numbers with () are included in the Ass'y parts written above them.

No.	Part No.	Description	Qty	Price
1	TP05874	Check Set Plug	4	
2	TP05873	Back-up Ring P-10 T2	5	
3	TP05872	O-Ring P-10	5	
4	TP05871	Delivery Valve	5	
5	TP05870	Spring 0.3x5x7	7	
6	CP00800	Ball 1/4	7	
7	TP05869	Valve Seat	7	
8	TP05868	Packing	8	
9	TA9A586	Cylinder Piston Sub Ass'y	2set	
10	TP05875	Suction Valve	3	
11	TP05876	Elbow PT1/8xPF1/4	2	
12	TP05877	Filter	2	
13	TP05863	Hex. Socket Set Screw PT1/4	3	
14	TP05878	O-Ring P-8	3	
15	TP05865	Piston Spring	3	
16	TP05866	Spring Seat	2	
17	TP05867	Retaining Ring E-64	2	
18	TQ03341	Hex. Socket Head Cap Screw 6x30	12	
19	TA97817	Oil Tank Ass'y	1set	
21	TA92456	Steel Pipe Ass'y	1set	
22	TA94198	Steel Pipe Ass'y	1set	
23	TQ03234	Drain Pipe	1	
24	TP07963	Check Set Plug	1	
25	TP07962	Retaining Ring WR-11	1	
26	TP07961	Spring Seat	1	
27	TA9A603	(L) Cylinder Piston Sub Ass'y	1set	
28	TP07964	Suction Filter	1	
29	TQ03233	Bracket	1	
30	TP05856	Oil Seal S25x38x8	1	
31	TQ03232	Pump Body	1	
32	TP09671	Yoke Type Track Roller	1	
33	TP09672	Distance Collar	1	
34	TP05928	Ball Bearing	1	
35	TP09673	Retaining Ring E10	1	
36	CP01086	Internal Retaining Ring C-42	1	
37	TQ03340	Hex. Socket Head Cap Screw 6x25	8	
38	TP05853	Seal Washer W5	4	
39	TP13247	Hex. Head Bolt 5x22	4	
40	TP02863	Hex. Socket Head Cap Screw 5x20	13	
41	TP05950	Copper Washer	13	
42	TP00513	Spring Washer M5	4	
43	TP05857	Hex. Socket Head Cap Screw 5x70	4	
44	TP06597	Hex. Socket Set Screw PT1/8	2	
45	TP06616	Valve Sleeve	1	

No.	Part No.	Description	Qty	Price
46	TP06617	O-Ring P-6	1	
47	TP06618	Back-up Ring P-6 T2	1	
48	TP06619	Spool	1	
49	TP06620	Valve Sleeve Plate	1	
50	TP05949	O-Ring P-7	1	
52	TP06633	Ball 5/16	1	
53	TP07966	Ball Retainer	1	
54	TP07967	Spring 2x7x25.2	1	
55	TQ03407	Hex. Socket Set Screw with Flat Point 12x15	1	
56	TP05422	Hex. Nut M12	1	
58	TP14009	Hex. Nut M12x1	1	
59	TP14279	Adjust Screw	1	
60	TP11241	O-Ring P-7	1	
61	TP14269	Spring 7.4x20x2	1	
62	TA98852	Relief Valve Sub Ass'y	1	
63	TP14267	Relief Valve Body	1	
64	TP12010	O-Ring P-14	1	
65	TP14266	Relief Valve Seat	1	
66	TP14265	Copper Washer 6x16x0.8	1	
67	TQ03463	Solenoid Valve (115V)	1	
	TQ03464	Solenoid Valve (230V)	1	
68	TP06217	Hex. Socket Head Cap Screw 6x25	6	
69	TQ03249	Manifold	1	
70	TQ12864	Label Warning Relief Valve	1	
71	TQ03248	Gasket	1	
72	TP06597	Hex. Socket Set Screw PT1/8	4	
73	CA94119	700R-3P Ass'y	1set	
74	CB09421	450B-3P-D Ass'y	1set	
75	CA82240	450B-3P Ass'y	1set	
76	TQ03238	Cupla Joint	2	
81	TQ13224	Spacer 6.5x28x8	2	
90	TB09036	Unloader Valve Ass'y	1set	
42	(TP00513)	Spring Washer M5	3	
51	(TQ13301)	Unloader Valve	1	
57	(TP05882)	Hex. Socket Head Cap Screw 5x35	3	
99	LQ00444	Pan Head Screw 4x6	4	
100	LQ00190	Pan Head Screw 4x8	4	
101	TB09234	Motor Ass'y (115V)	1set	
	TB09235	Motor Ass'y (230V)	1set	
102	TQ03250	Partition	1	
103	TQ03327	Hex. Socket Head Cap Screw 5x10	4	
106	TP05925	Mount Foot	4	
107	TP05926	Washer 6.5x10x1	4	
108	TQ13226	Capacitor Box	1	

No.	Part No.	Description	Qty	Price
109	TQ03329	Hex. Socket Head Cap Screw 5x15	3	
110	TP10953	Hex. Socket Head Cap Screw 6x18	2	
111	TB08782	Cover Ass'y (115V)	1set	
	TB08785	Cover Ass'y (230V)	1set	
112	(TQ12861)	Label Model Number (115V)	1	
	(TQ12865)	Label Model Number (230V)	1	
113	(TQ12860)	Label Warning	1	
116	TQ06227	Capacitor MAB-MKP40/330	1	
117	TQ06226	Transformer 115V/24V 0.416A (115V)	1	
	TQ06233	Transformer 230V/24V 0.416A (230V)	1	
118	TP06290	Pan Head Screw 4x8	2	
119	TB04726	Print Board	1set	
120	LP30251	Pan Head Screw 4x16	5	
121	TP04234	Spring Washer M4	4	
122	LP30299	Washer M4	4	
123	TB04724	Switch Plate Sub Ass'y	1set	
124	(TQ06222)	Label Power Supply	1	
125	TB04728	Metal Consent Receptacle Ass'y	1set	
126	TP00056	Pan Head Screw 3x6	4	
127	TQ06225	Snap-in Switch LLK25L-2	1	
128	TQ06228	Ceramic Connector 2-402Z-2	1	
129	LP13557	Label Earth	1	
130	LP08489	Pan Head Screw 4x6	2	
131	TP08584	Hex. Nut M8	1	
132	TP04769	Plate Serial Number	1	
133	TP05136	Drive Rivet No.2x4.8	2	
134	TB04725	Cabtyre Cord Ass'y	1set	
135	TQ02644	Cord Stopper BS-PF 5380 1005	1	
136	TQ06435	Lock Nut 5380-1008	1	
137	TQ06229	Terminal Block	5	
138	TQ03332	Hex. Socket Head Cap Screw 5x20	1	

ACCESSORIES

No.	Part No.	Description	Qty	Price
20	TP05929	Oil Cap KRM-A1	1	
114	TQ03239	Hand Grip	1	
115	TP03086	Hex. Socket Head Cap Screw 6x20	2	
	TP03249	Hex. Socket Screw Key 8	1	
	TP04004	Hex. Socket Screw Key 5	1	
	TQ12862	Instruction Manual	1	
	TQ12863	Declaration of Conformity	1	