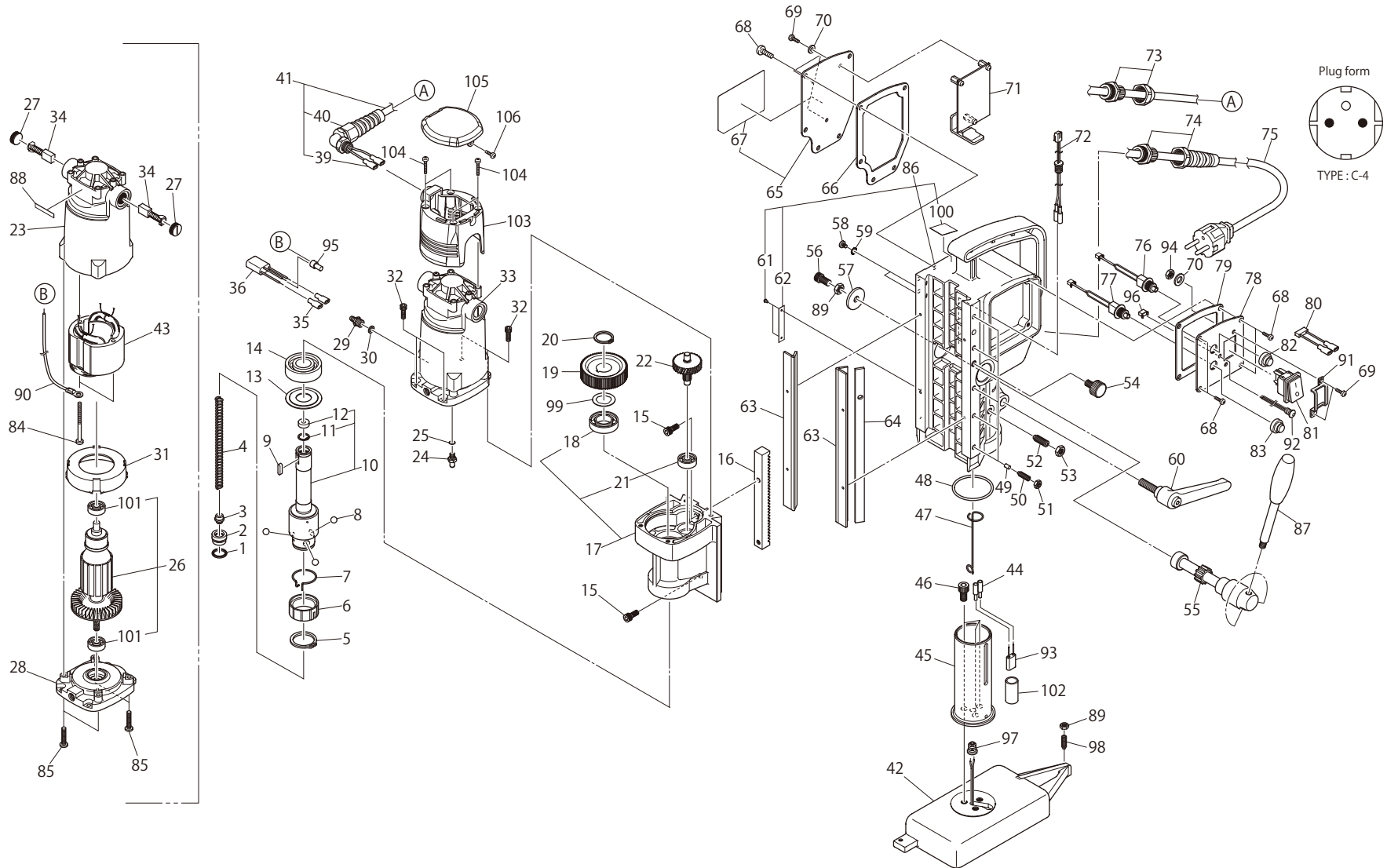


Exploded Diagram: ATRA ACE WOJ-3200

⚠ WARNING

This diagram is for reference only. Do not attempt to service or repair the Nitto Portable Magnetic Drilling Machine. Do not take the machine apart. Contact an authorized Nitto dealer for all service and repair of the machine. Improper service and repair can cause accidents and severe injuries. Never attempt to modify the machine. Never attempt to service or repair the machine yourself. **Exploded diagram/parts list are subject to change at any time without notice. (As of Jul. 2013)**



Exploded diagram/parts list are subject to change at any time without notice. (As of Jul. 2013)

No.	Part No.	Part Name	Q'ty	Price
1	TQ10547	Y Packings NB15×19×1.6	1	
2	TB07598	Push Ring Ass'y	1set	
3	TQ11343	Pilot Spacer	1	
4	TQ11342	Spring 1.2×10.8×150	1	
5	TP15239	External Retaining Ring C-28	1	
6	TQ01897	Sleeve	1	
7	TQ01896	Rotating Spring	1	
8	TB01672	Ball 5/16 Ass'y	1set	
9	TQ11351	Parallel Key 4×4×15 Both ends round	1	
10	TB07717	Arbor Body Sub Ass'y	1set	
11	(CP02077)	Internal Retaining Ring C-13	1	
12	(TQ11347)	Oil Seal AD5-14-5	1	
13	TQ11346	Bearing Cover	1	
14	TQ11348	Ball Bearing 6204LLU	1	
15	TP05474	Hex. Socket Head Cap Screw 6×14	2	
16	TQ11338	Rack	1	
17	TB07719	Gear Case Ass'y A	1set	
18	(TP06385)	Ball Bearing 6904ZZ	1	
21	(TP12419)	Ball Bearing 628ZZ	1	
19	TQ11587	Spur Gear 0.8×65	1	
20	CP03040	External Retaining Ring C-20	1	
22	TB08125	Pinion Shaft Ass'y	1set	
24	TQ11352	Sleeve	1	
25	TQ11353	O-Ring SS-4.5	1	
29	TP14500	Hose Nipple	1	
30	CP21947	Packing S-4.7×8×0.8	1	
32	TP02862	Hex. Socket Head Cap Screw 5×15	4	
33	TB07550	Drill Motor Ass'y A 230V	1set	
35	TQ12299	Male Terminal TMEDN630809-MA	2	
36	TQ11643	Condenser	1	
41	TB07721	Connecting Cable Ass'y A	1set	
39	(TQ11503)	Female Terminal TMEDN630820-FA	2	
40	(TQ06824)	Cord Portector	1	
42	TB07689	Square Pole Ass'y 230V	1set	
97	TQ11451	Seal Bush	1	
44	TQ10453	Male Terminal PCM-0.5	2	
45	TQ11354	Column	1	
46	TP14683	Hex. Socket Head Cap Screw 8×15	3	
47	TQ11661	Cord Stay	1	
48	TQ11599	O-Ring P-48	1	
49	TQ04783	Supporter	5	

No.	Part No.	Part Name	Q'ty	Price
50	TQ04896	Hex. Socket Set Screw with Flat Point 6×16	5	
51	TP07419	Hex. Nut Type3 M6	5	
52	TQ11361	Hex. Socket Set Screw with Dog Point 8×20	1	
53	TP08584	Hex. Nut Type1 M8	1	
54	TP02931	Set Screw	1	
55	TQ07082	Pinion Shaft	1	
56	TP01460	Hex. Socket Head Cap Screw 8×20	1	
89	TP08584	Hex. Nut Type1 M8	1	
57	TQ07081	Washer 30×8.5×3.2	1	
58	LP08489	Binding Head Screw 4×6	2	
59	TP04464	Toothed Lock Washer B M4	2	
60	TQ11362	Clamp Lever	1	
86	TB07592	Body Sub Ass'y	1set	
61	(TP05136)	Drive Rivet No.2×4.8	2	
62	(TP04769)	Plate Serial Number	1	
63	TP12777	Slide Plate	2	
64	TQ06773	Gib	1	
65	TB08780	Label Plate Ass'y	1set	
66	TQ11359	Packing Label Plate	1	
68	TP00051	Pan Head Screw 5×10	9	
69	TQ01526	Pan Head Screw 4×10	5	
70	TQ00258	Seal Washer M4	5	
71	TB08148	Spare Control Board Ass'y 230V	1set	
72	TB07784	Connecting Cord Ass'y	1set	
73	TQ07097	Cable Connector 3217	1	
74	TQ11075	Cable Connector 3247	1	
75	TB08385	Cabtyre Cord Ass'y (220-240V) TYPE : C-4	1set	
76	TB07615	Switch SW2 Ass'y	1set	
77	TB07616	Switch SW3 Ass'y	1set	
78	TQ11636	Switch Plate	1	
79	TQ11357	Packing Switch Plate	1	
80	TB07445	S Cord Ass'y	1set	
81	TQ07306	Rocker Switch	1	
82	TQ10085	Waterproofing Cap Black	1	
83	TQ10467	Waterproofing Cap Red	1	
87	TQ01681	Rod Handle	3	
91	TQ11635	Switch Guard	1	
92	TB05739	LED Ass'y	1set	
93	TQ11516	Condenser	1	
94	TQ02639	Hex. Nut Type1 M4	2	
95	LR00156	Close Terminal	1	
96	LQ04533	Housing	1	
23	TB07723	Motor Case Ass'y	1set	

No.	Part No.	Part Name	Q'ty	Price
26	TB07724	Armature Ass'y 230V	1set	
27	TQ11581	Brush Cap	2	
28	TB07725	Motor Flange Ass'y	1set	
31	TQ11582	Fan Case	1	
34	TB07700	Carbon Brush Ass'y	1set	
43	TQ11583	Stator 230V	1	
84	TQ11584	Pan Head Taptite Screw 5×60	2	
85	TQ11337	Pan Head Taptite Screw 5×25	4	
90	TB07936	Earth wire Ass'y	1	
98	TQ02407	Hex. Socket Set Screw with Sharpe Point	1	
99	TQ11658	Waved Spring Washer BWW-6001	1	
101	TQ11925	Bali Bearing 608LLB	2	
102	LQ05330	Heat Shrinkable Tube φ20	0.09m	
103	TQ13796	Moter Head Cover A	1	
104	TQ13101	Pan Head Tapping Screw 4×25	4	
105	TQ13797	Moter Head Cover B	1	
106	TP14489	Pan Head Tapping Screw 4×10	1	

Label

No.	Part No.	Part Name	Q'ty	Price
67	(TQ12854)	Label Warning	1	
88	TQ11585	Label Voltage 230V	1	
100	(TQ11565)	Label Arbor Warning	1	

Accessories

No.	Part No.	Part Name	Q'ty	Price
	TB05418	Guard Ass'y	1set	
	TB07770	Carrying Case Ass'y	1set	
	TJ15859	Pilot Pin 08035	1	
	TP04696	Hex. Socket Screw Key 3	1	
	TP17014	Spanner 8×10	1	
	TQ10075	Safety Strap	1	
	TQ12856	Instruction Manual	1	
	TQ01051	Sub Handle	1	
	TB07695	Oil Tank Ass'y	1set	
	TP00021	Hex. Socket Head Cap Screw 5×60	2	
	TP00170	Hex. Socket Screw Key 6	1	
	TP01931	Hex. Socket Screw Key 4	1	

The part numbers with () are include in the Ass'y parts written above them.