

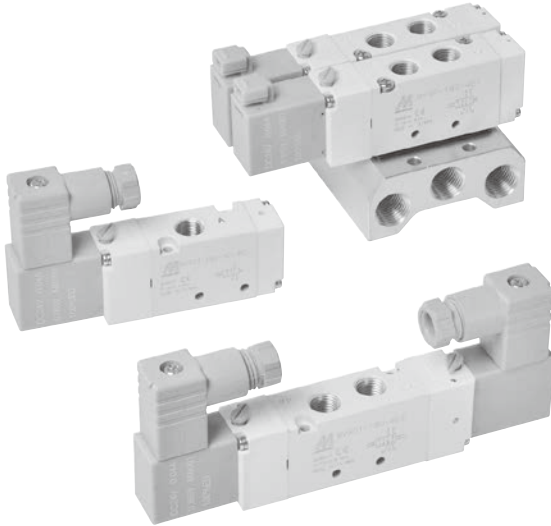
# MVSC1-180 series

## SOLENOID VALVE



mindman

### Specification

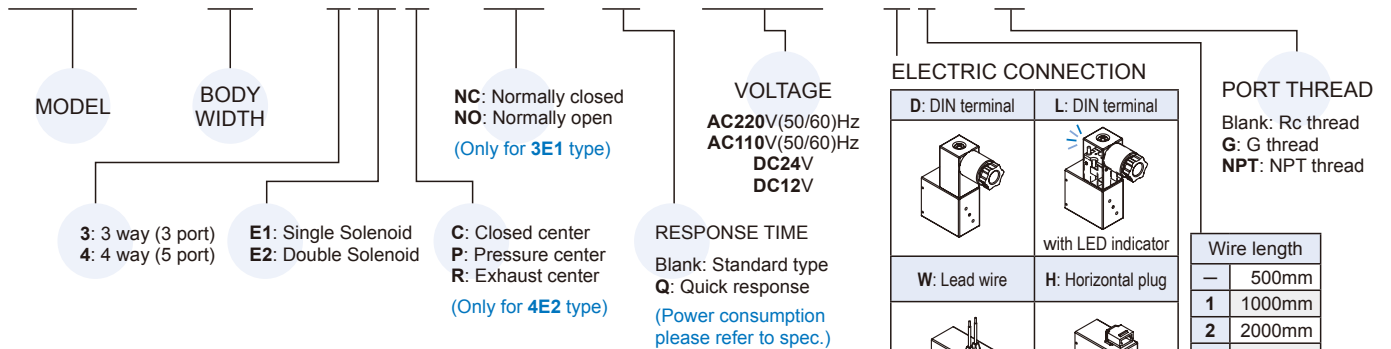


Model	3E1	3E2	4E1	4E2	4E2 C.P.R
Bore No.	6A				
Port size	Rc1/8				
No. of port / position	3 / 2		5 / 2		5 / 3
Medium	Air				
Operating perssure range	0.15~0.8 MPa			0.2~0.7 MPa	
Proof pressure	1 MPa				
Effective orifice	15 mm <sup>2</sup>		12 mm <sup>2</sup>		9 mm <sup>2</sup>
Response time	Standard	AC<35 ms, DC<25 ms		AC<45ms, DC<30ms	
	Quick response*	AC<31 ms, DC<20 ms		AC<41ms, DC<25ms	
Power consumption	Standard	AC=1.12VA, DC=0.95W			
	Quick response*	AC=2.5VA, DC=2.5W			
Ambient temperature	-5~+50°C (No freezing)				
Voltage	AC110V, 220V (50/60)Hz, DC24/12V				
Available voltage range	±10%				
Insulation class	F class				
Weight	90 g	125 g	94 g	129 g	143 g

\* For quick response type, it cannot be energized for more than 30 minutes.

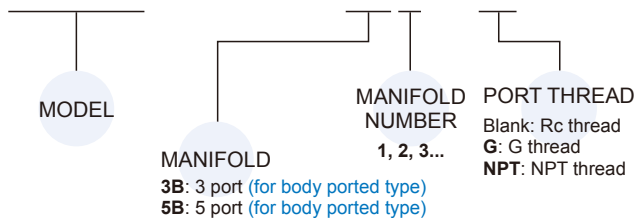
### Order example of valve

MVSC1 - 180 - 4E2C - NC - □ - AC110 - H1 - G



### Order example of manifold

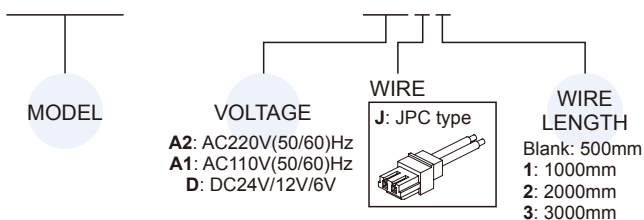
MVSC1 - 180 - 3B3 - G



### Order example of wire

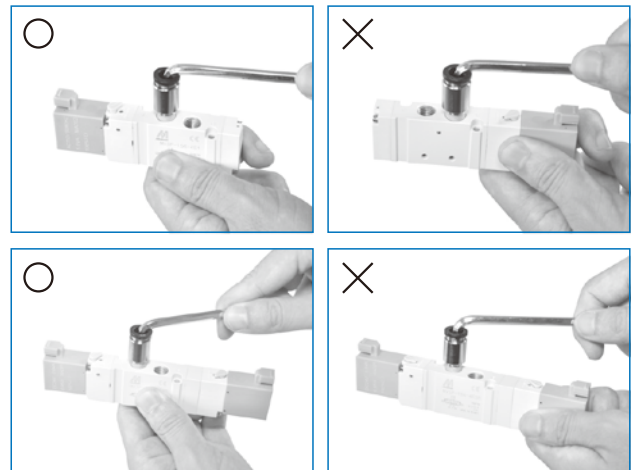
\* Use the same wire with MVDY.  
\* Only for "H: Horizontal plug".

MVDY - 100 - WA2J2



### Caution

Prohibit apply force to coil when tighten the tube fitting.

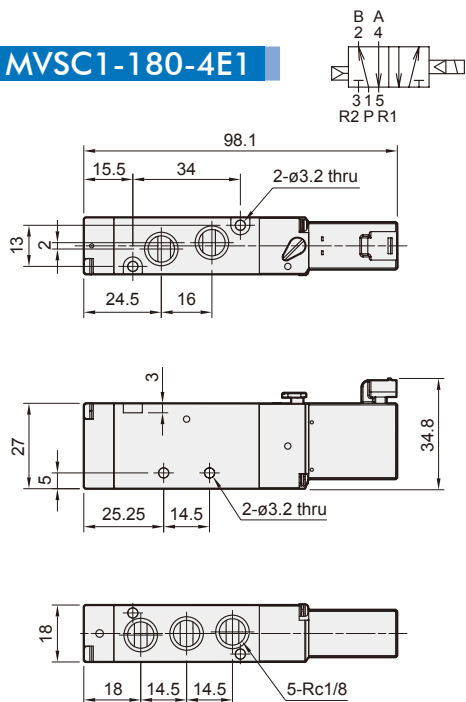


# MVSC1-180 Dimensions

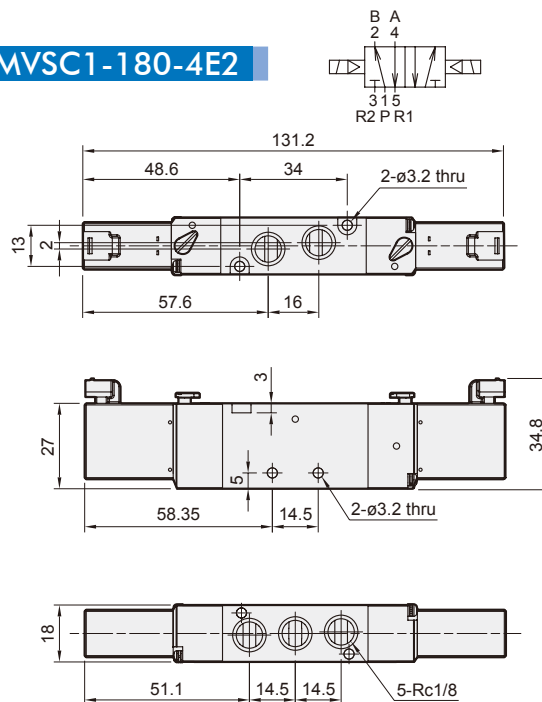
## SOLENOID VALVE



### MVSC1-180-4E1

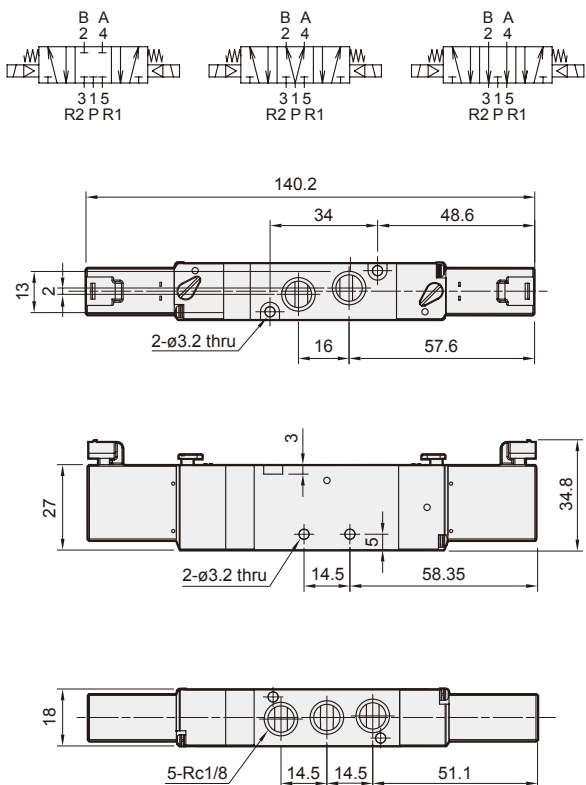


### MVSC1-180-4E2

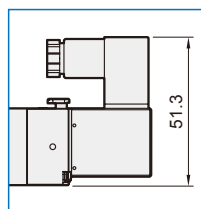


### MVSC1-180-4E2C.P.R

MVSC1-180-4E2C    MVSC1-180-4E2P    MVSC1-180-4E2R

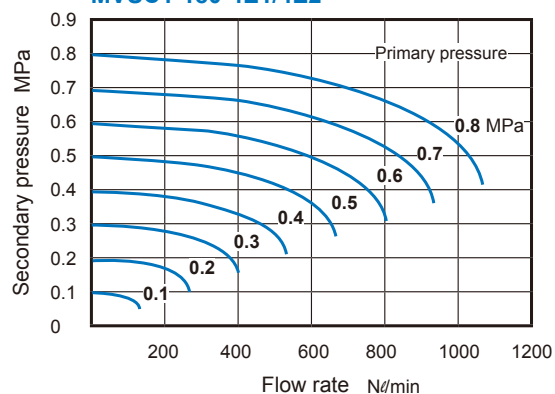


DIN terminal /  
DIN terminal with LED indicator



### Flow features

MVSC1-180-4E1/4E2

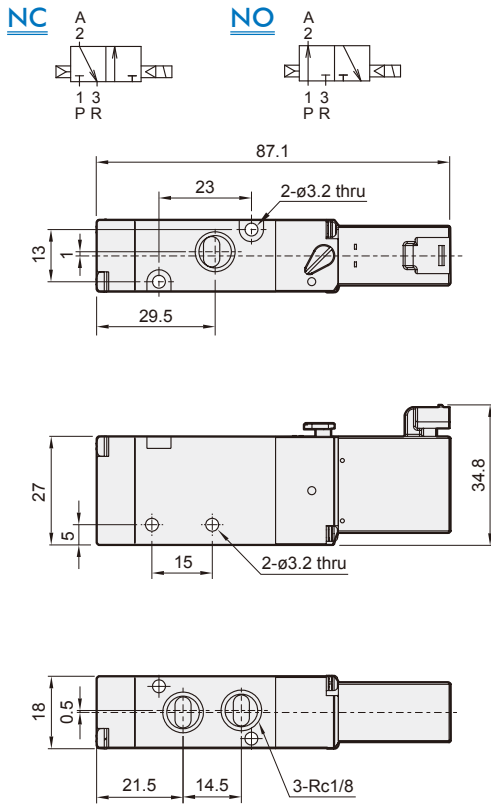


# MVSC1-180 Dimensions

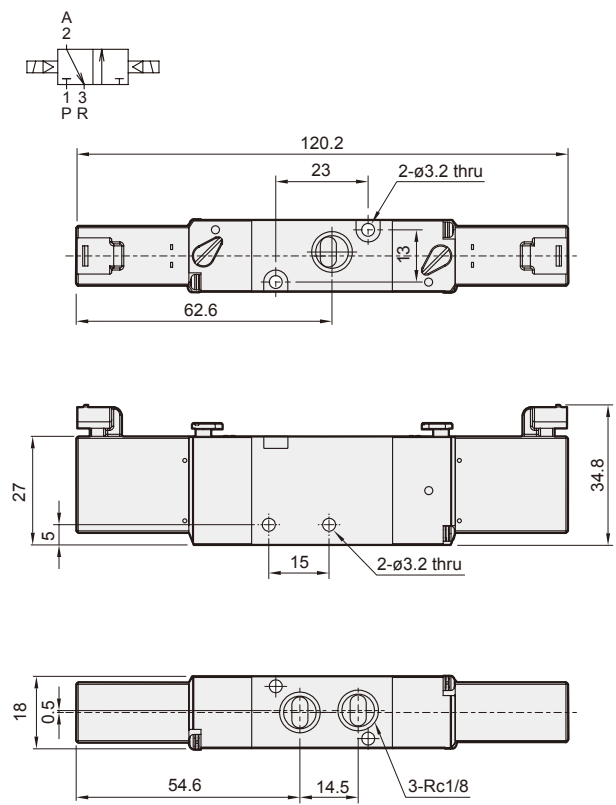
SOLENOID VALVE



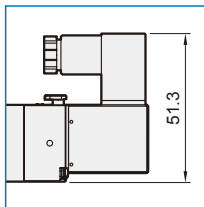
## MVSC1-180-3E1-NC/NO



## MVSC1-180-3E2



DIN terminal /  
DIN terminal with LED indicator



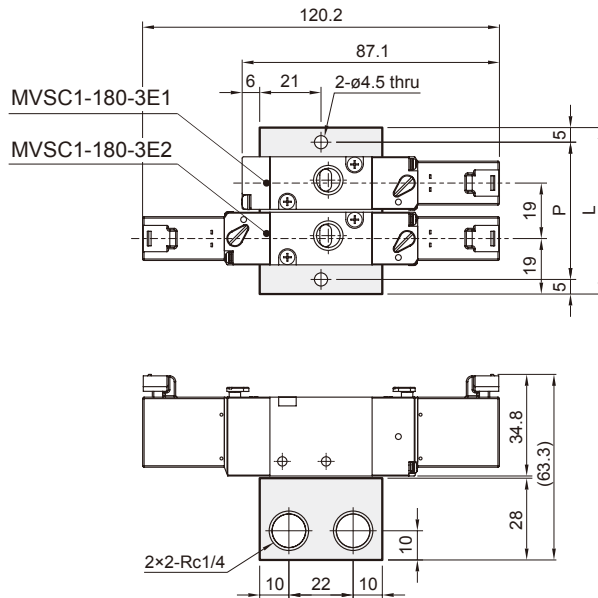
# MVSC1-180 Manifold

## SOLENOID VALVE



### MVSC1-180-3B\*

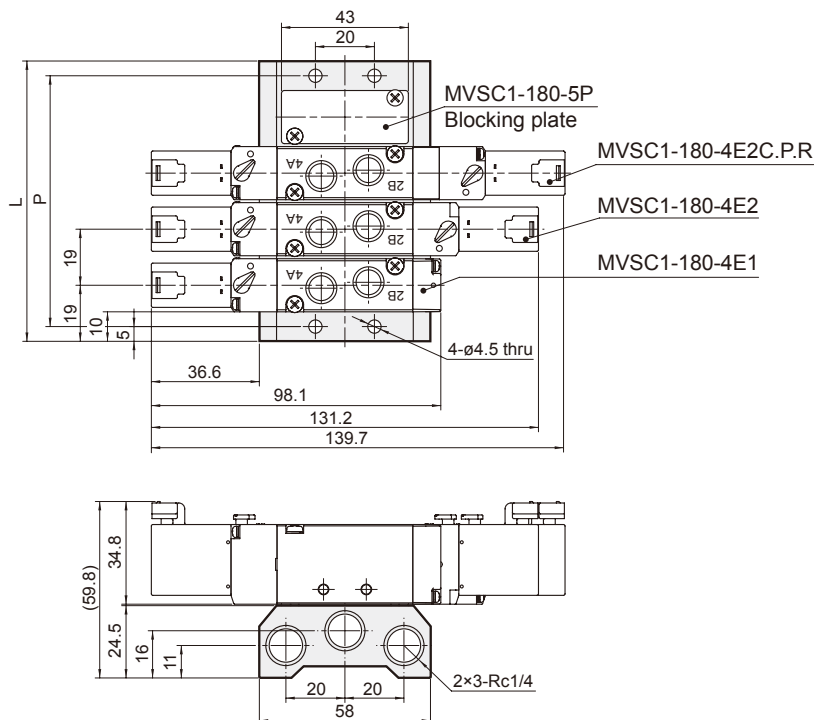
3 port (for body ported type)



No. of stations	P	L
2	47	57
3	66	76
4	85	95
5	104	114
6	123	133
7	142	152
8	161	171
9	180	190
10	199	209

### MVSC1-180-5B\*

5 port (for body ported type)



No. of stations	P	L
2	47	57
3	66	76
4	85	95
5	104	114
6	123	133
7	142	152
8	161	171
9	180	190
10	199	209