

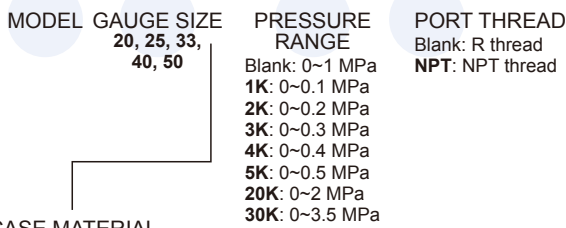
Specification

Model	PG-20	PG-25	PG-33	PG-40	PG-50
Bore No.	—	—	6A	6A	8A
Port size	—	1/16	1/8	1/8	1/4
Medium	Air				
Operating pressure range	By order specifications				
Proof pressure	The max. scale of gauge times 1.2				
Precision	±4% F.S.		ASME B class		
Ambient temperature	-5~+60°C (No freezing)				
Weight	11 g	17 g	34 g	54 g	108 g

* Please consult us if out of specification.

Order example

PG - 40 S - 1K - NPT



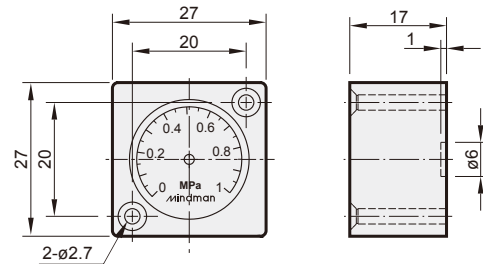
CASE MATERIAL

Code Model	W	S	Note
PG-20	○	○	W(White)
PG-25			
PG-33		○	
PG-40	○	○	W(Electroplating)
PG-50	○		

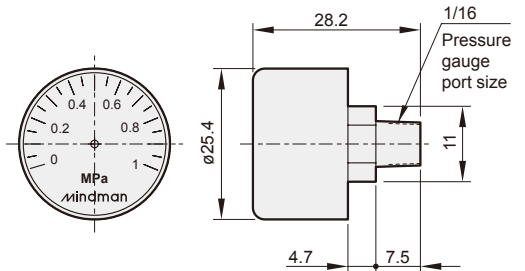
* Blank: Standard type (Black)
PG-25 standard type (Gray)
* S: Stainless steel

Code Model	Blank	1K	2K	3K	4K	5K	20K	30K
PG-20	○	×	×	×	×	×	×	×
PG-20W	○	×	×	×	×	×	×	×
PG-25	○	×	×	×	×	×	×	×
PG-33S	○	×	○	×	×	×	×	×
PG-40	○	○	○	○	○	○	○	×
PG-40W	○	○	○	○	○	○	○	○
PG-40S	○	×	○	×	×	×	×	×
PG-50	○	×	×	×	×	×	○	×

PG-20

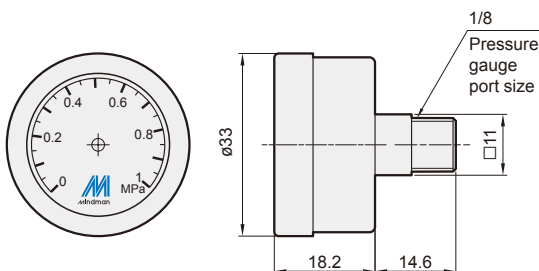


PG-25

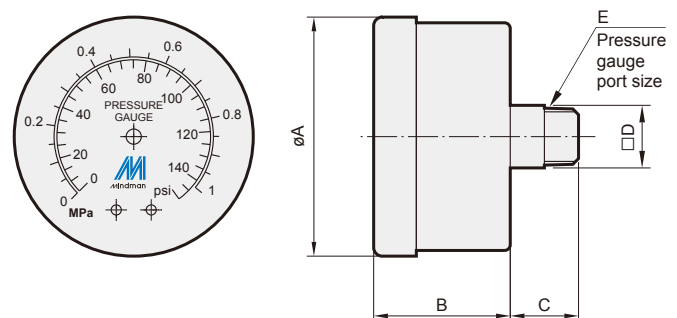


PG-33S

*Only for SUS case.



PG-40 / 50



Code Model	A	B	C	D	E
PG-40	42	25	15	11	1/8
PG-50	53	26.5	22.5	14	1/4