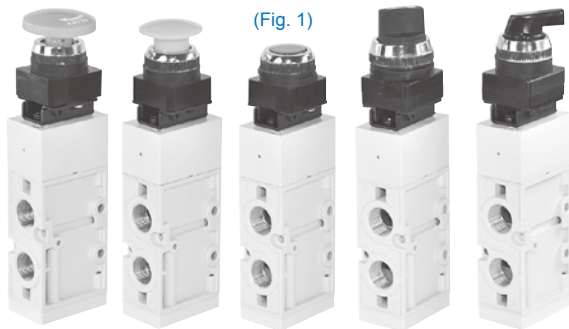


MVMB-300-4** series

MECHANICAL VALVE



(Fig. 1)

Actuator-holder



(Fig. 2)

- Type $\phi 22$, the body and actuator-holder in (Fig. 2).
- Type $\phi 22$ can set or release button by simply switching actuator-holder.
- Type $\phi 25$, $\phi 30$ fix bracket in (Fig. 1).
- Type $\phi 25$, $\phi 30$ Actuator set or released by screwdriver.
- If choose type 4B1-22, it need an extra order of Actuator-holder when a button is needed.

Specification

Model	MVMB-300-4**
Bore No.	10A
Port size	Rc3/8
No. of port	5
No. of position	2
Medium	Air
Operating pressure range	0.15~0.8 MPa
Proof pressure	1 MPa
Effective orifice	30 mm ²
Ambient temperature	-5~+60°C (No freezing)
Weight	315 g

Order example

MVMB - 300 - 4EB - 25R - G

MODEL

BODY WIDTH

4: 4way (5 port)

BUTTON SIZE

22: $\phi 22$
25: $\phi 25$
30: $\phi 30$

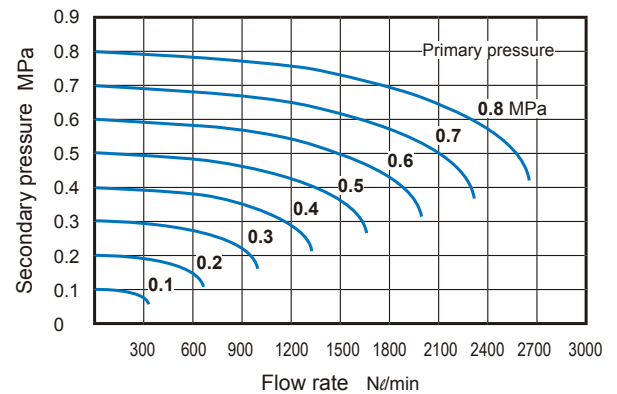
PORT THREAD
Blank: Rc thread
G: G thread
NPT: NPT thread

B1: Body (without button)
EB: Latching palm button
LB: Extended twist button
TB: Twist button
PB: Mushroom palm button
PP: Push button

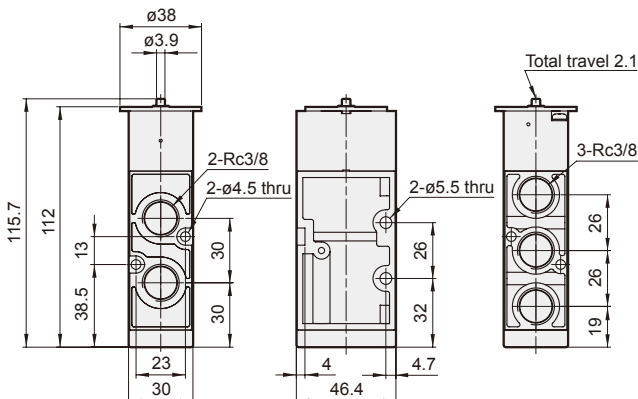
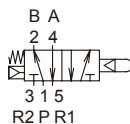
BUTTON COLOR

Color	Type
—	B1 type
G: Green	EB type
R: Red	
B: Black	LB type TB type
B: Black	
G: Green	PB type PP type
R: Red	

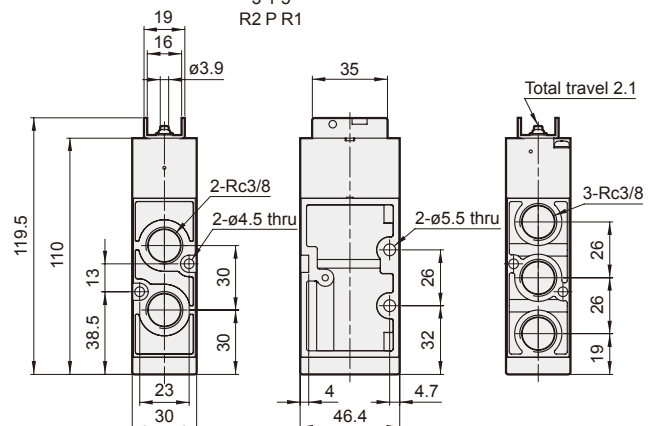
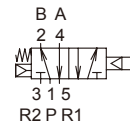
Flow features



4B1-22



4B1-25/30

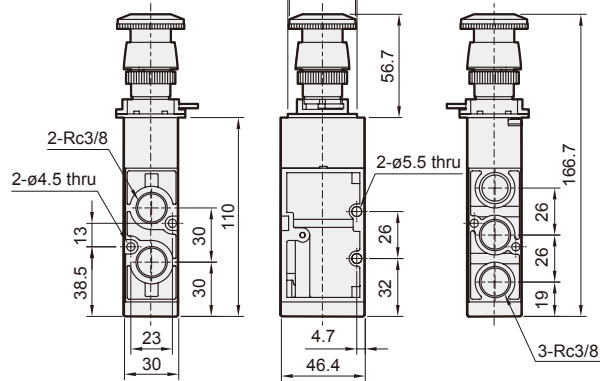
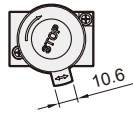
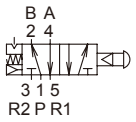


MVMB-300-4** Dimensions

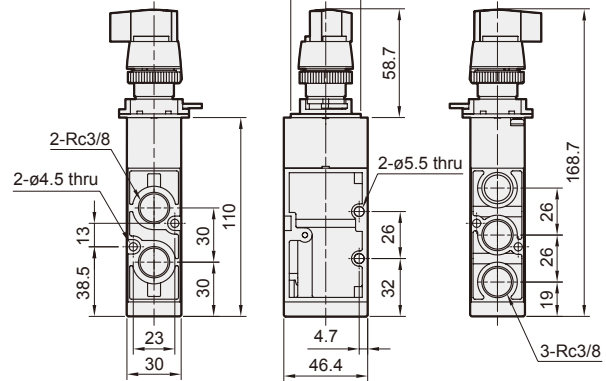
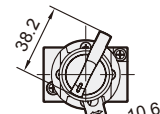
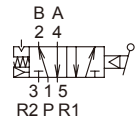
MECHANICAL VALVE



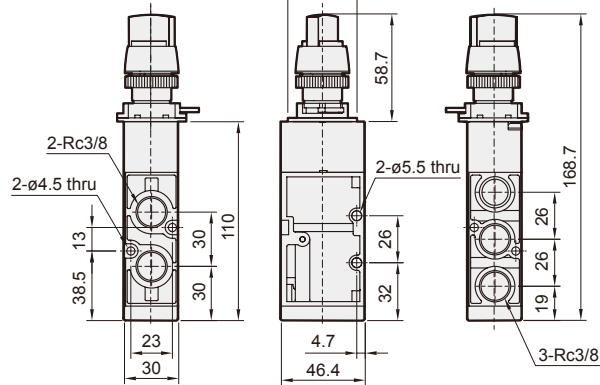
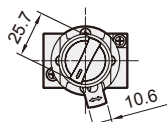
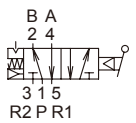
4EB-22



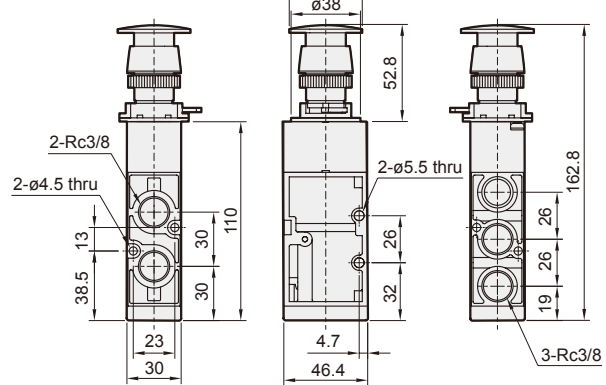
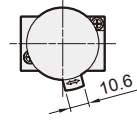
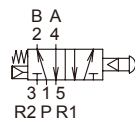
4LB-22



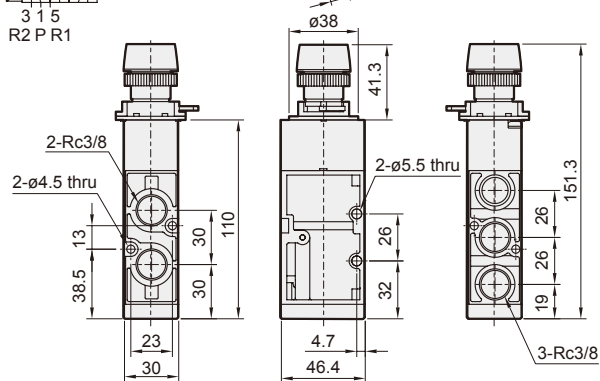
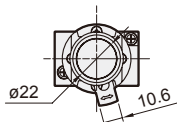
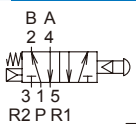
4TB-22



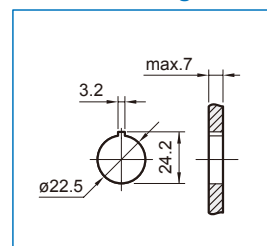
4PB-22



4PP-22



Panel mounting hole

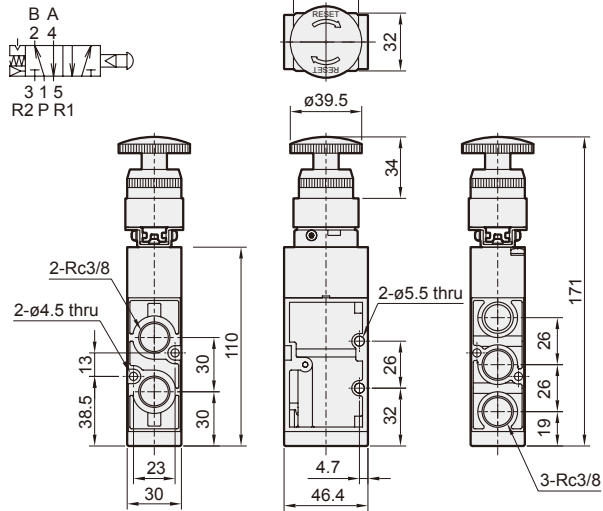


MVMB-300-4** Dimensions

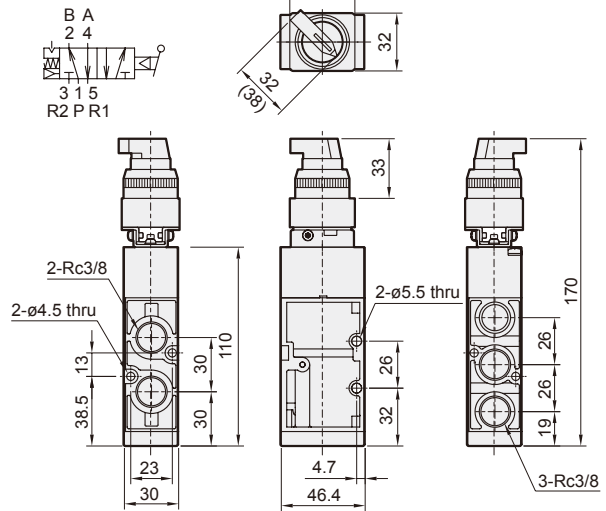
MECHANICAL VALVE



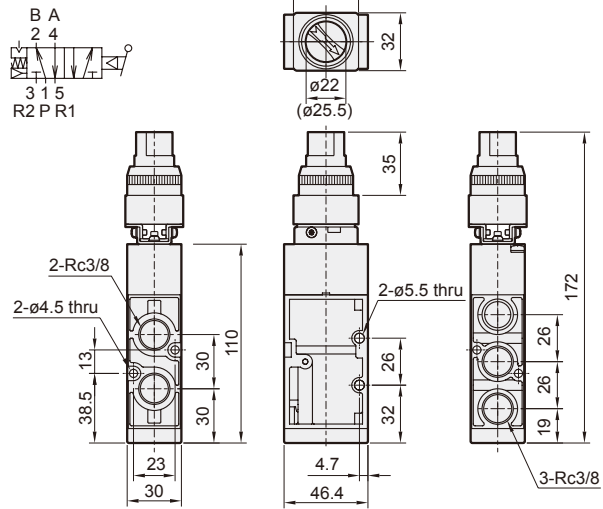
4EB-25/30



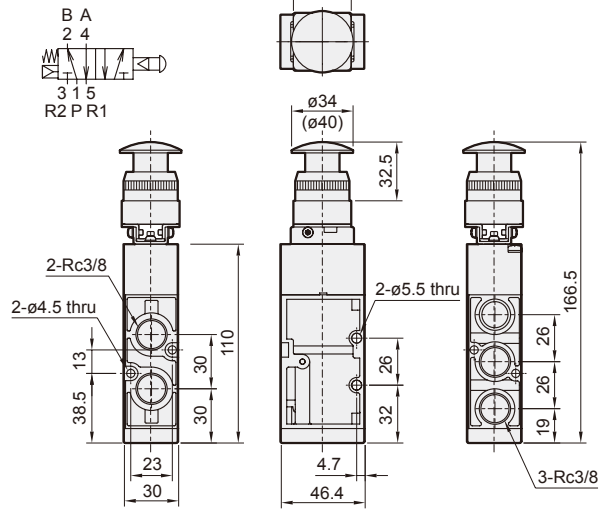
4LB-25/30



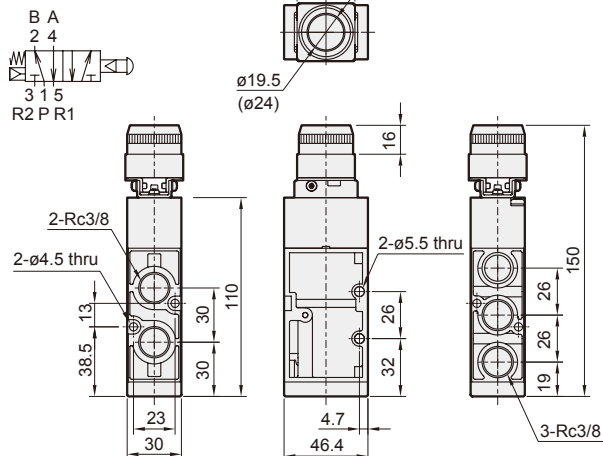
4TB-25/30



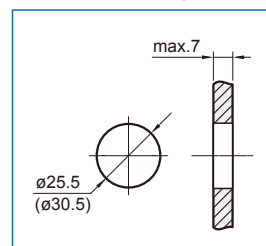
4PB-25/30



4PP-25/30



Panel mounting hole



(): Dimension for button size ø30.