



### Specification

Model	MVHC-2**		MVHC-3**				MVHC-4**		
Bore No.	6A	8A	8A	10A	15A	8A	10A	15A	20A
No. of port	4								
Medium	Air								
Operating pressure range	0.05~1 MPa								
Effective orifice (mm <sup>2</sup> )	7	26	29	33	41	59	64	71	
Ambient temperature	-5~+60°C (No freezing)								
Option	Mounting nut								
Weight	280 g		420 g			1100 g			

Bore size	6A	8A	10A	15A	20A
Model	Rc1/8	Rc1/4	Rc3/8	Rc1/2	Rc3/4
<b>MVHC-2**</b>					
<b>MVHC-3**</b>					
<b>MVHC-4**</b>					

### Order example

**MVHC - 200 - 4H - 8A - □ - G**

MODEL

BODY SIZE

4: 4way (4 port)

BORE SIZE

6A: Rc1/8  
8A: Rc1/4  
10A: Rc3/8  
15A: Rc1/2  
20A: Rc3/4

PORT THREAD

Blank: Rc thread  
G: G thread  
NPT: NPT thread

M: Mounting nut

PORT POSITION

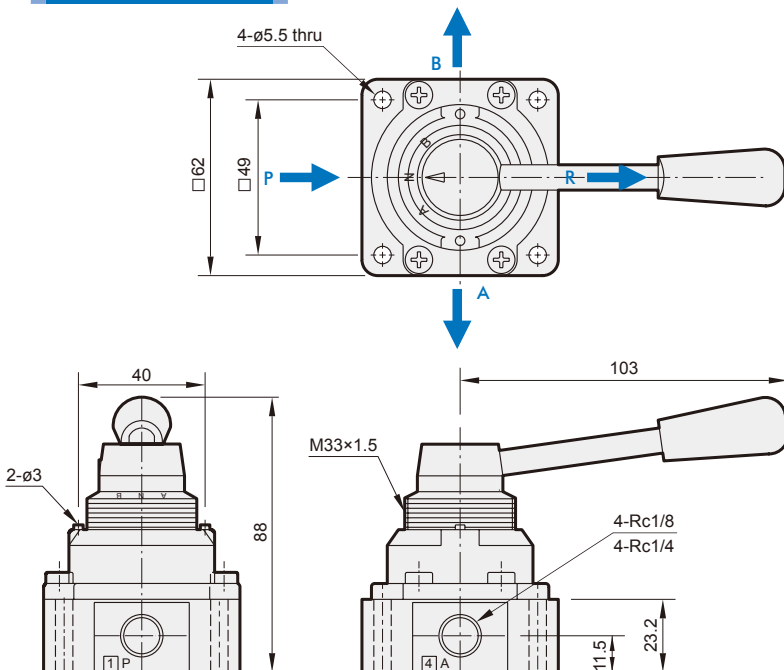
0: Side  
2: Bottom (Only for 3,4 body size type)

TYPE (\*)

### \* TYPE

Code	Symbol	Description
0		3 Position Close center
1		3 Position Exhaust center
2		2 Position

### MVHC-20\*

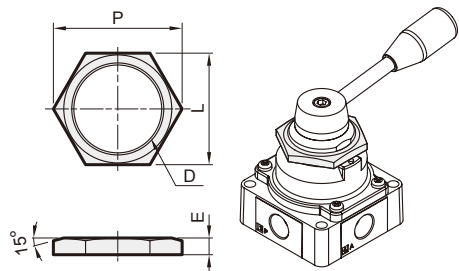


### Order example of mounting nut

**MVHC - 200 - M**

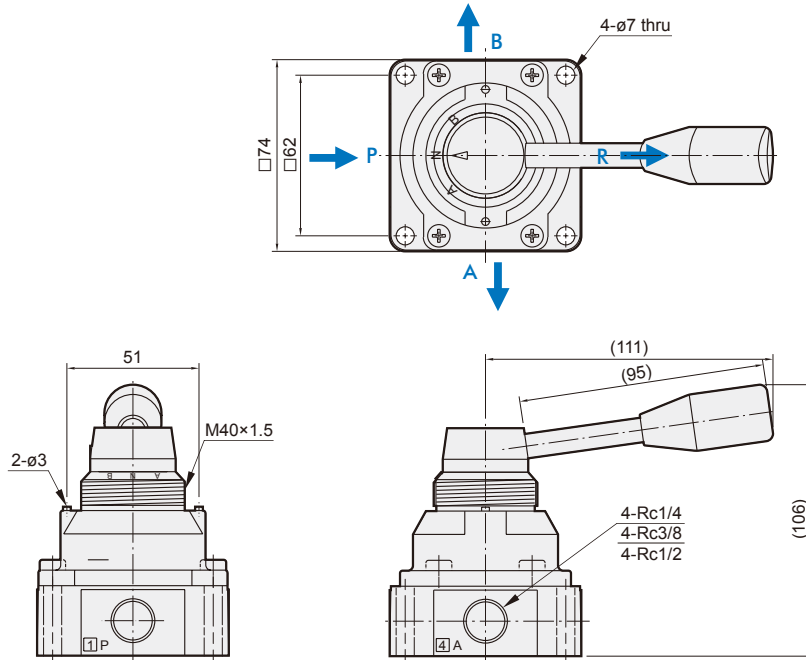
BODY SIZE

200  
300  
400

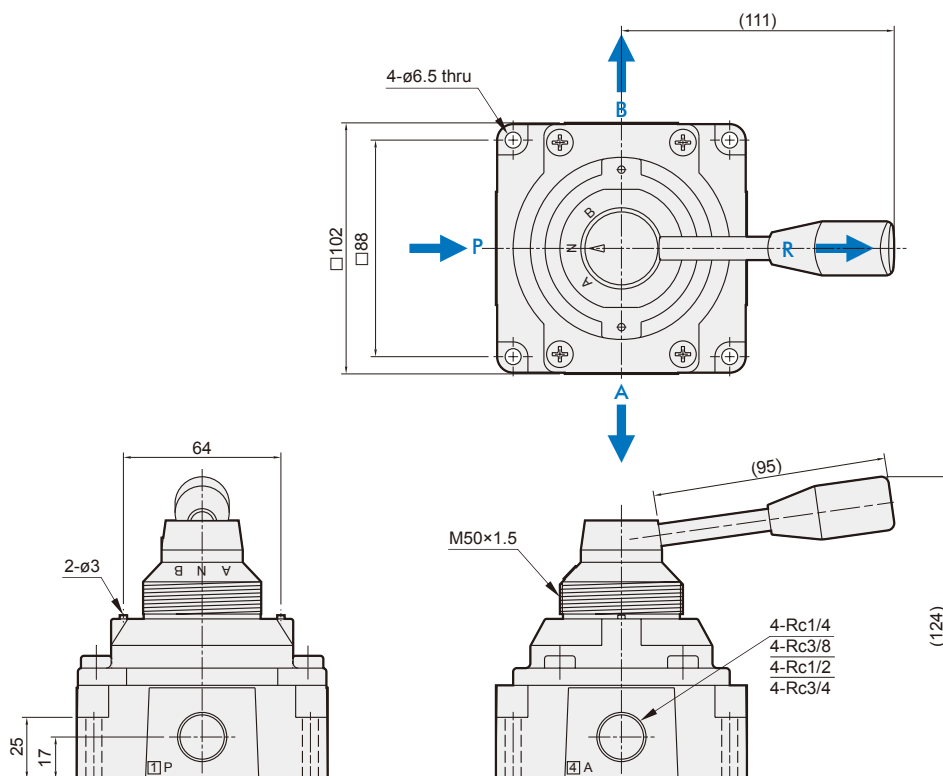


Model	D	E	L	P	Weight
<b>MVHC-200-M</b>	M33×1.5	6	41	46	26.5 g
<b>MVHC-300-M</b>	M40×1.5	6	50	57	41 g
<b>MVHC-400-M</b>	M50×1.5	8	55	63	40 g

### MVHC-30\*



### MVHC-40\*

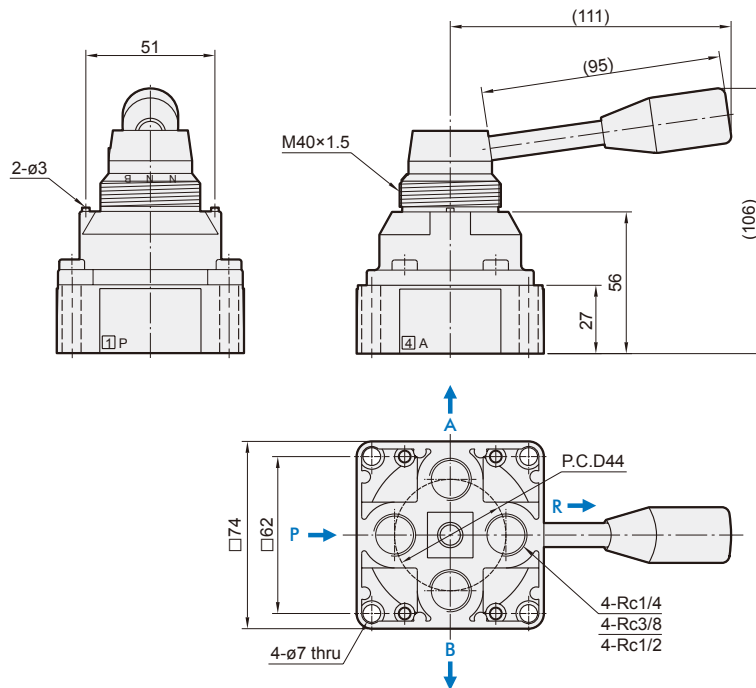


# MVHC Dimensions

## ROTARY HAND LEVER VALVE



### MVHC-32\*



### MVHC-42\*

