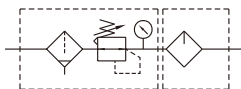


# MACT200 series

AIR UNIT (F.R.L.UNIT)



## Symbol

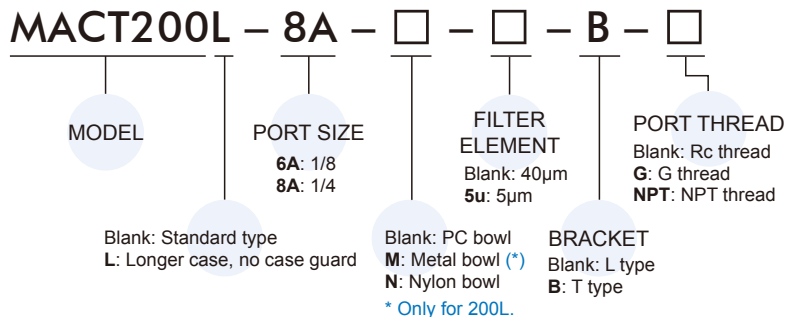


## Specification

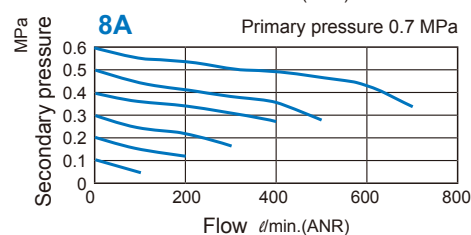
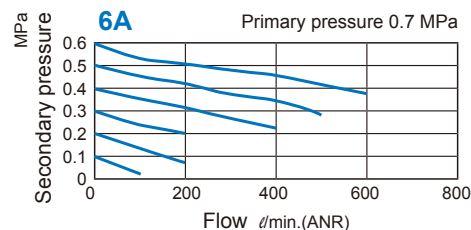
Model	MACT200	
Components	MAF200, MAR201, MAL200	
Bore No.	6A	8A
Port size	1/8	1/4
Medium	Air	
Operating pressure range (*)	0.05~1 MPa	
Proof pressure	1.5 MPa	
Regulated pressure range	0.05~0.85 MPa	
Ambient temperature	- 5~+60°C (No freezing)	
Filter element	Standard: 40µm, Option: 5µm	
Lubricating oil capacity	20c.c, 35c.c (MACT200L)	
Min. flow for oil drip	35 ℓ/min	50 ℓ/min
Recommended lubricating oil	Turbine oil ISO-VG32	
Attachment	Pressure gauge(PG-40), L-type bracket	
Weight	505 g, 465 g (MACT200L)	

\* Standard unit contains auto-drain function when operating pressure below 0.05 MPa.

## Order example



## Flow feature



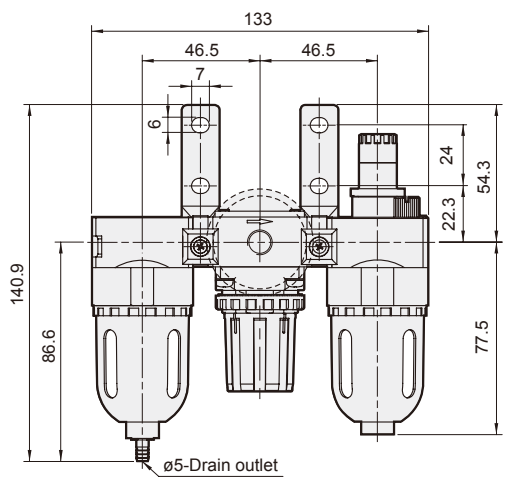
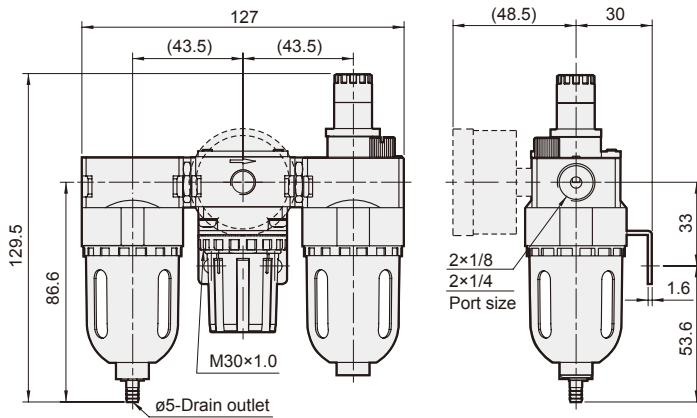
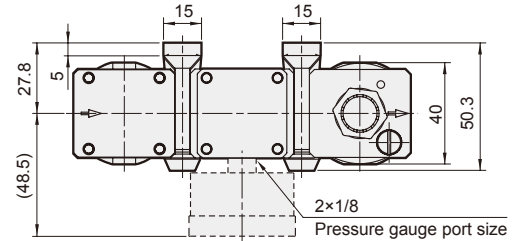
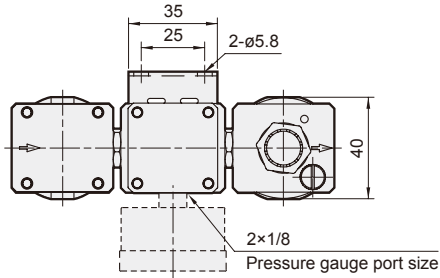
# MACT200 Dimensions

## AIR UNIT (F.R.L.UNIT)



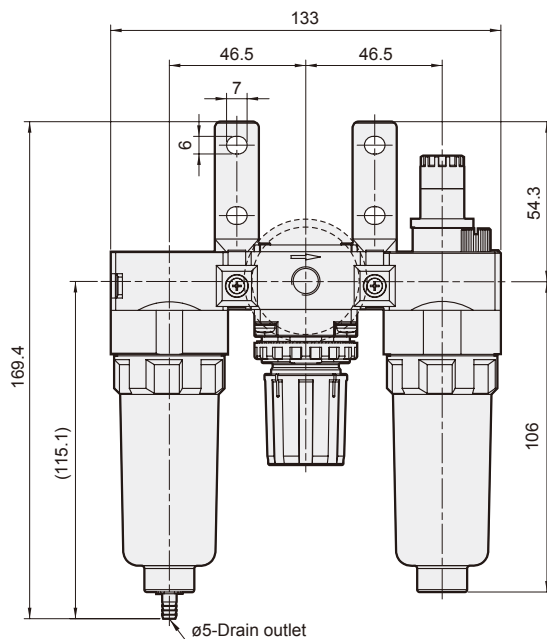
### MACT200-B

T type bracket



### MACT200L-M-B

Metal bowl + T type bracket



### MACT200L-B

T type bracket

