

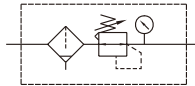
MAFR501 series

AIR UNIT (F.R.UNIT)



Option: **MP41**

Symbol



Specification

Model	MAFR501	
Bore No.	20A	25A
Port size	3/4	1
Medium	Air	
Operating pressure range (*)	Nylon bowl, PC bowl: 0.05~1 MPa	
	Metal bowl: 0.05~1.5 MPa	
Proof pressure	Nylon bowl, PC bowl: 1.5 MPa	
	Metal bowl: 2 MPa	
Regulated pressure range	0.1~0.85 MPa	
Ambient temperature	- 5~+60°C (No freezing)	
Filter element	40µm	
Drain capacity	PC, Nylon bowl: 75 cm ³	
	Metal bowl: 70 cm ³	
Attachment	Pressure gauge(PG-20), L-type bracket	
Weight	PC, Nylon bowl: 1940 g	
	Metal bowl: 2060 g	

* Standard unit contains semi-auto-drain function when operating pressure below 0.05 MPa.

* Choose auto-drain FMRF300, the pressure range is 0.15~1 MPa.

Order example

MAFR501 – 20A – MC□J – E1 – □

MODEL

PORT SIZE

20A: 3/4
25A: 1

(Option)
PRESSURE
SWITCH

E1: MP41P-022
E2: MP41P-022-QD
E5: MP41P-042
E6: MP41P-042-QD

* Refer to page 5-12 for MP41.

PORT THREAD

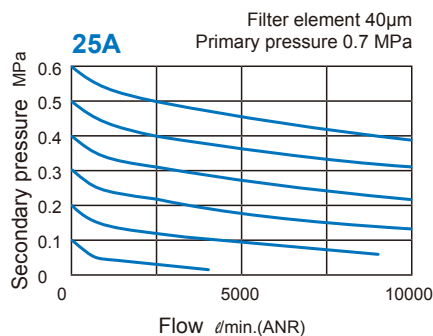
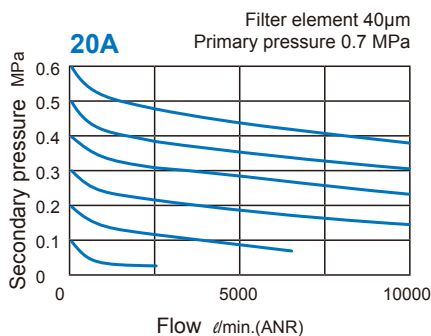
Blank: Rc thread
G: G thread
NPT: NPT thread

(Option) ACCESSORIES

Bowl	Pressure gauge	Drain valve	Panel nuts
Blank: PC bowl M: Metal bowl N: Nylon bowl	Blank: Pressure gauge (PG-20) C: External pressure gauge (PG-40) + Gauge adapter set (A-MAR302) A: Gauge adapter set (A-MAR302)	Blank: Semi-auto drain D: Auto drain valve (FMRF300)	J: Panel nuts

* PG-40 (C), A-MAR302 (A) and MP41 (E*) can not be selected at the same time.

Flow feature

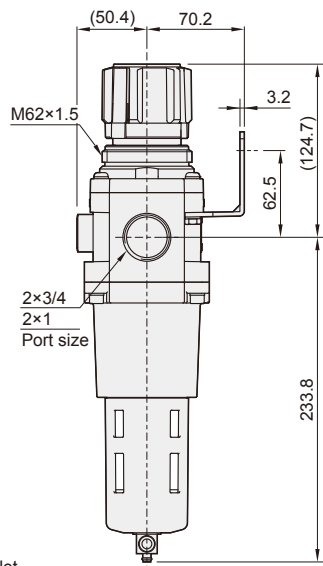
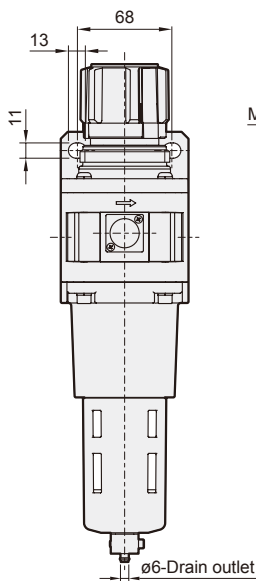
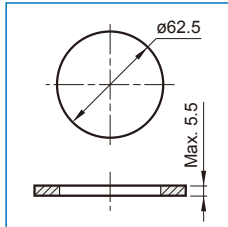
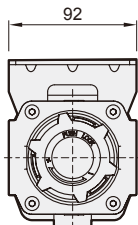


MAFR501 Dimensions

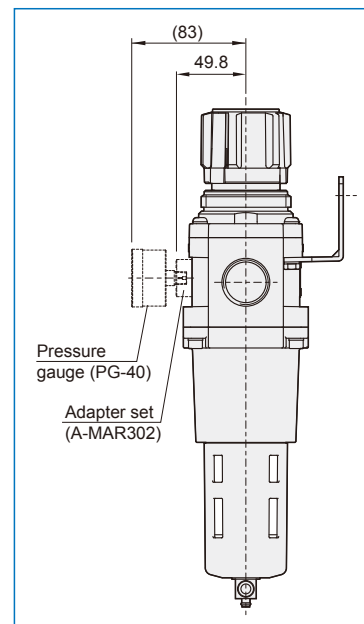
AIR UNIT (F.R.UNIT)



Panel mounting hole

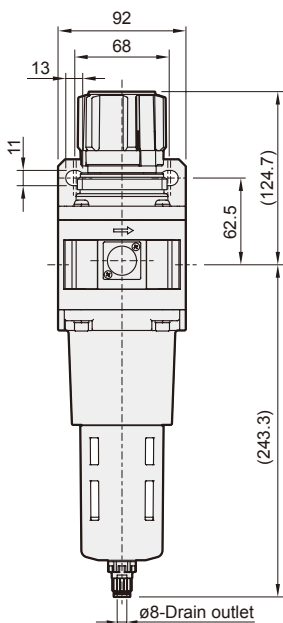


Accessories



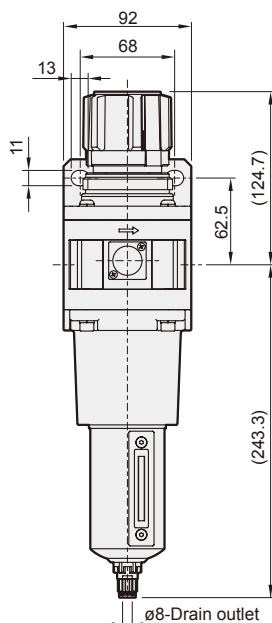
MAFR501-D

Auto drain valve



MAFR501-MD

Metal bowl + auto drain valve



MAFR501-M

Metal bowl

