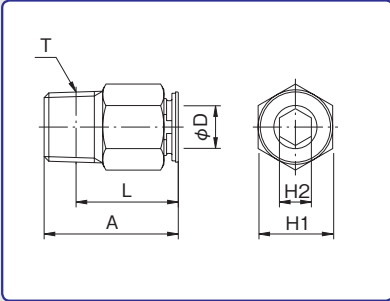


タッチコネクター FUJI

TOUCH CONNECTOR FUJI

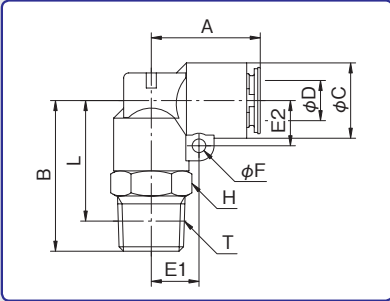
メイルコネクター [金属] MALE CONNECTOR [METAL BODY]



型式 Model	A	適用 チューブ 外径 Tube O. D. φD	二面幅 Spanner Flats		L	ねじサイズ Thread T	チューブ 挿入寸法 Tube Insertion Depth	重量 Weight (g)
			H1	H2				
4-M5MS	20.0	4	φ9.8	2.0	16.5	M5×0.8	15.0	5.5
6-M5MS	21.3	6	φ11.8	2.0	17.8	M5×0.8	16.3	7.0
4-M5M	20.0	4	10.0	φ2.0	16.5	M5×0.8	15.0	7.0
4-01M	17.1	4	10.0	3.0	13.1	R1/8	15.0	6.5
4-02M	18.6	4	14.0	3.0	12.6	R1/4	15.0	15.0
6-M5M	21.3	6	12.0	φ2.0	17.8	M5×0.8	16.3	8.5
6-01M	21.2	6	12.0	4.0	17.2	R1/8	16.3	9.0
6-02M	19.7	6	14.0	4.0	13.7	R1/4	16.3	13.5
6-03M	20.7	6	17.0	4.0	14.3	R3/8	16.3	26.0
8-01M	26.7	8	14.0	5.0	22.7	R1/8	17.0	15.5
8-02M	25.2	8	14.0	6.0	19.2	R1/4	17.0	16.5
8-03M	20.7	8	17.0	6.0	14.3	R3/8	17.0	22.5
10-01M	27.8	10	17.0	5.0	23.8	R1/8	17.8	22.0
10-02M	29.1	10	17.0	6.0	23.1	R1/4	17.8	26.5
10-03M	27.1	10	17.0	8.0	20.7	R3/8	17.8	27.5
10-04M	24.1	10	21.0	8.0	16.1	R1/2	17.8	41.5
12-02M	32.1	12	19.0	7.0	26.1	R1/4	19.4	33.0
12-03M	28.1	12	19.0	9.0	21.7	R3/8	19.4	28.5
12-04M	26.1	12	21.0	9.0	18.1	R1/2	19.4	40.0

※4-M5Mと6-M5Mは六角穴ではございません。

メイルエルボ [金属] MALE ELBOW [METAL BODY]



型式 Model	A	B	φC	適用 チューブ 外径 Tube O. D. φD	E1	E2	φF	二面幅 Spanner Flats H	L	ねじサイズ Thread T	チューブ 挿入寸法 Tube Insertion Depth	重量 Weight (g)
4-M5ML	17.7	21.0	11.0	4	7.1	6.5	2.7	10.0	17.5	M5×0.8	15.0	17.0
4-01ML	17.7	25.0	11.0	4	7.1	6.5	2.7	10.0	21.0	R1/8	15.0	21.0
4-02ML	17.7	28.0	11.0	4	7.1	6.5	2.7	14.0	22.0	R1/4	15.0	26.0
6-M5ML	19.5	23.0	13.0	6	8.3	7.5	2.7	12.0	19.5	M5×0.8	16.3	24.0
6-01ML	19.5	26.0	13.0	6	8.3	7.5	2.7	12.0	22.0	R1/8	16.3	28.5
6-02ML	19.5	29.0	13.0	6	8.3	7.5	2.7	14.0	23.0	R1/4	16.3	31.5
6-03ML	19.5	30.0	13.0	6	8.3	7.5	2.7	17.0	23.6	R3/8	16.3	38.5
8-01ML	21.2	27.0	15.0	8	9.5	9.0	2.7	14.0	23.0	R1/8	17.0	36.0
8-02ML	21.2	30.0	15.0	8	9.5	9.0	2.7	14.0	24.0	R1/4	17.0	40.0
8-03ML	21.2	31.0	15.0	8	9.5	9.0	2.7	17.0	24.6	R3/8	17.0	44.0
10-01ML	23.0	28.0	17.0	10	10.5	10.0	2.7	17.0	24.0	R1/8	17.8	42.0
10-02ML	23.0	31.0	17.0	10	10.5	10.0	2.7	17.0	25.0	R1/4	17.8	45.5
10-03ML	23.0	32.0	17.0	10	10.5	10.0	2.7	17.0	25.6	R3/8	17.8	49.0
10-04ML	23.0	36.0	17.0	10	10.5	10.0	2.7	21.0	28.0	R1/2	17.8	66.0
12-02ML	25.6	34.5	19.0	12	11.5	11.0	2.7	19.0	28.5	R1/4	19.4	60.5
12-03ML	25.6	35.5	19.0	12	11.5	11.0	2.7	19.0	29.1	R3/8	19.4	65.0
12-04ML	25.6	38.5	19.0	12	11.5	11.0	2.7	21.0	30.5	R1/2	19.4	77.5