

2/2Way Magnalift

Model : 221G Series

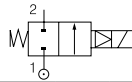


Features

- Normally closed
- Body : Brass
- 7000 sleeve assembled
- Coil : All of 7000 sleeve coil available
- Operated on nearly Zero MOPD
- Air, Water, Inert gas, Oil and Steam applicapable
- Applied Seal : FKM, NBR, EPDM
- Body thread type : NPT, PT available with factory consult

Application

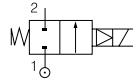
- Thermohydraulic system • Autoclaves
- Oil burner, Bolier • Molding machines
- Steam generators • Sterilisation system
- Industrial washing machines
- Washing system • Boiling system
- Cooling of machine tools • Hospital equipment



Normally Closed, Water, Air, Gas, light oil

REFERENCE NO.				PORT SIZE (PF) G Thread	ORIFICE (mm)	FLOW (L / min)			ADMISSIBLE DIFF. PRESSURE (BAR)			MAX. FLUID TEMP. (°C)			SEAL	Power (W)		
VESSEL NO.	HOUSING	COIL				Liquids kv	Gases Qmax	Qn	Min	Max		Gas	Liquids	Oil		DC	AC	
		Gobal	Korea							DC	AC							
221G13	I	-	1K	3/8"	15	65	65	4500	0	-	16	100	75	100	NBR	14	10	
	2995	481865	-							-	16	100	75	100		9	8	
	4270	481000	-							-	-	16	100	75		100	8	8
	4270	486265	-							-	7	-	100	75		100	14	14
	H	-	1F							-	-	16	100	75		100	8	8
	H	-	1H		7	-	100	75	100	14	14							
221G23	I	-	1K	3/8"	15	65	65	4500	0	-	16	100	-	100	FKM	14	10	
	2995	481865	-							-	-	16	100	-		100	9	8
	4270	481000	-							-	-	16	120	-		120	8	8
	4270	486265	-							-	7	20	120	-		140	14	10
	H	-	1F							-	-	-	16	120		-	120	8
	H	-	1H		7	20	120	-	140	14	10							
221G15	I	-	1K	1/2"	15	65	65	4500	0	-	16	100	75	100	NBR	14	10	
	2995	481865	-							-	-	16	100	75		100	9	8
	4270	481000	-							-	-	16	100	75		100	8	8
	4270	486265	-							-	7	-	100	75		100	14	14
	H	-	1F							-	-	-	16	100		75	100	8
	H	-	1H		7	-	100	75	100	14	14							
221G25	I	-	1K	1/2"	15	65	65	4500	0	-	16	100	-	100	FKM	14	10	
	2995	481865	-							-	-	16	100	-		100	9	8
	4270	481000	-							-	-	16	120	-		120	8	8
	4270	486265	-							-	7	20	120	-		140	14	10
	H	-	1F							-	-	-	16	120		-	120	8
	H	-	1H		7	20	120	-	140	14	10							
221G16	I	-	1K	3/4"	15	80	80	6000	0	-	16	100	75	100	NBR	14	10	
	2995	481865	-							-	-	16	100	75		100	9	8
	4270	481000	-							-	-	16	100	75		100	8	8
	4270	486265	-							-	7	-	100	75		100	14	14
	H	-	1F							-	-	-	16	100		75	100	8
	H	-	1H		7	-	100	75	100	14	14							
221G26	I	-	1K	3/4"	15	80	80	6000	0	-	16	100	-	100	FKM	14	10	
	2995	481865	-							-	-	16	100	-		100	9	8
	4270	481000	-							-	-	16	120	-		120	8	8
	4270	486265	-							-	7	20	120	-		140	14	10
	H	-	1F							-	-	-	16	120		-	120	8
	H	-	1H		7	20	120	-	140	14	10							
221G17	I	-	1K	1"	15	80	80	6000	0	-	16	100	75	100	NBR	14	10	
	2995	481865	-							-	-	16	100	75		100	9	8
	4270	481000	-							-	-	16	100	75		100	8	8
	4270	486265	-							-	7	-	100	75		100	14	14
	H	-	1F							-	-	-	16	100		75	100	8
	H	-	1H		7	-	100	75	100	14	14							
221G27	I	-	1K	1"	15	80	80	6000	0	-	16	100	-	100	FKM	14	10	
	2995	481865	-							-	-	16	100	-		100	9	8
	4270	481000	-							-	-	16	120	-		120	8	8
	4270	486265	-							-	7	20	120	-		140	14	10
	H	-	1F							-	-	-	16	120		-	120	8
	H	-	1H		7	20	120	-	140	14	10							

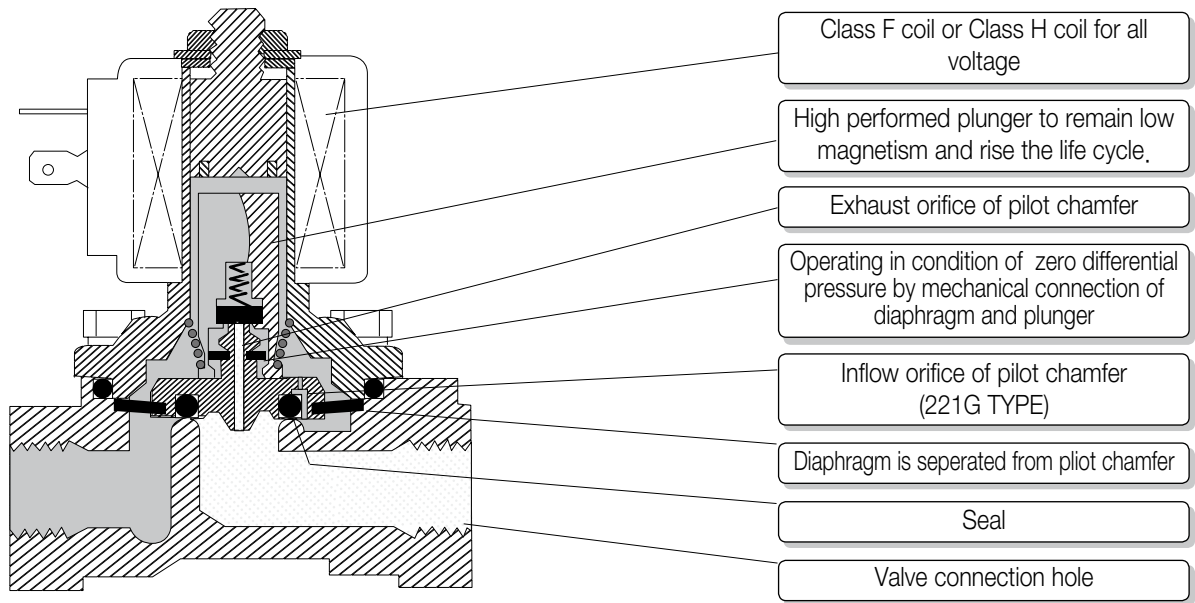
Normally Closed, Steam application



REFERENCE NO.				PORT SIZE (PF) G Thread	ORIFICE (mm)	FLOW (L/min)			ADMISSIBLE DIFF. PRESSURE (BAR)			MAX. FLUID TEMP.(°C)		SEAL	Power (W)	
VESSEL NO.	HOUSING	COIL				Liquids		Gases	Min	Max		WATER	STEAM		DC	AC
		Gobal	Korea			kv	Qmax	Qn		DC	AC					
221G1303	I	-	1K	3/8"	15	65	65	4500	0	-	10	100	-	EPDM	14	10
	2995	481865	481865							-	10	100	-		9	8
	4270	481000	1F							-	10	120	-		8	8
	4270	486265	-							7	10	120	-		14	14
	4270	486265	-							4	4	-	140		14	14
	H	-	1H							7	10	120	-		14	14
	H	-	1H							4	4	-	140		14	14
221G1503	I	-	1K	1/2"	15	65	65	4500	0	-	10	100	-	EPDM	14	10
	2995	481865	481865							-	10	100	-		9	8
	4270	481000	1F							-	10	120	-		8	8
	4270	486265	-							7	10	120	-		14	14
	4270	486265	-							4	4	-	140		14	14
	H	-	1H							7	10	120	-		14	14
	H	-	1H							4	4	-	140		14	14
221G1603	I	-	1K	3/4"	15	80	80	6000	0	-	10	100	-	EPDM	14	10
	2995	481865	481865							-	10	100	-		9	8
	4270	481000	1F							-	10	120	-		8	8
	4270	486265	-							7	10	120	-		14	14
	4270	486265	-							4	4	-	140		14	14
	H	-	1H							7	10	120	-		14	14
	H	-	1H							4	4	-	140		14	14
221G1703	I	-	1K	1"	15	80	80	6000	0	-	10	100	-	EPDM	14	10
	2995	481865	481865							-	10	100	-		9	8
	4270	481000	1F							-	10	120	-		8	8
	4270	486265	-							7	10	120	-		14	14
	4270	486265	-							4	4	-	140		14	14
	H	-	1H							7	10	120	-		14	14
	H	-	1H							4	4	-	140		14	14

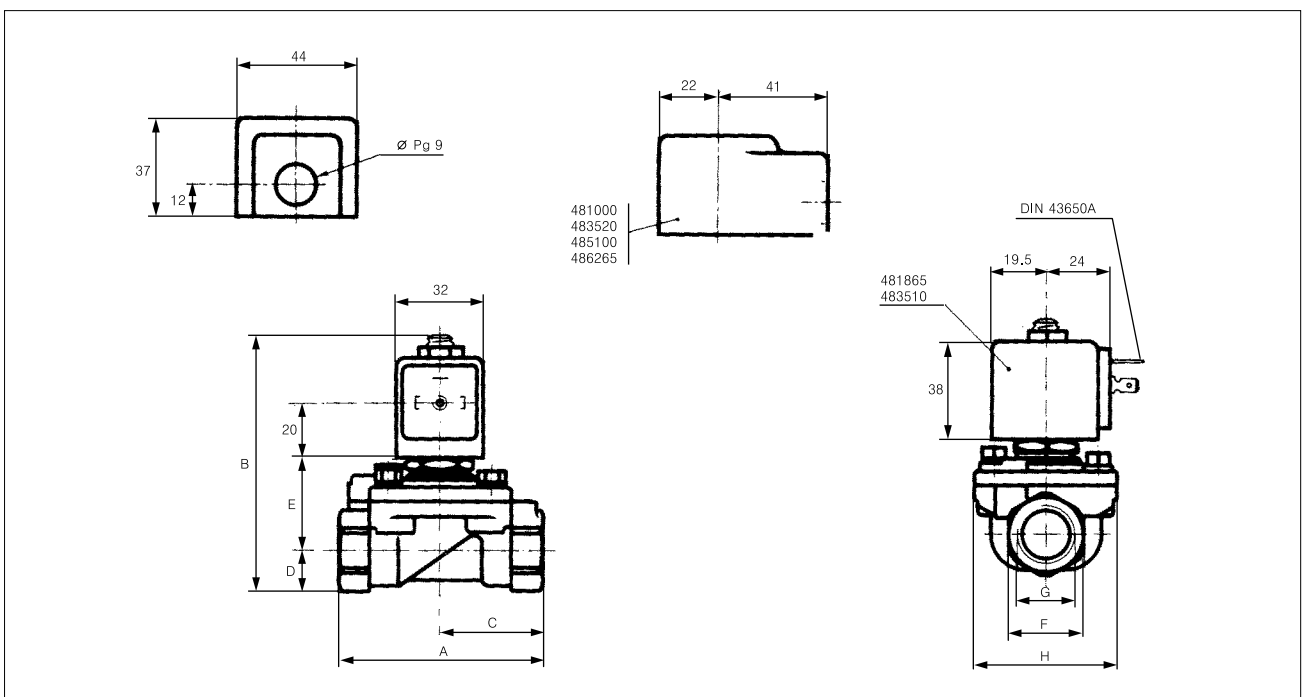
*Port type : Available NPT, PT . Need consultation

VALVE SECTION



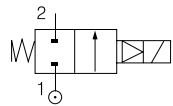
Modle	Dimension							
	A	B	C	D	E	F	G	H
221G 3/8"	75	93	37,5	15	34	27	10	-
221G 1/2"	75	93	37,5	15	34	27	15	-
221G 3/4"	80	95,5	40	17,5	34	32	20	53
221G 1"	85	102,5	42,5	22,5	46	41	25	53

Dimensions



2/2 Way Valve (MagnaLift)

Model : 221S Series



Features

- Normally closed
- Body : StSt 316
- 7000 sleeve assembled
- Coil : All of 7000 sleeve coil available
- Operated on nearly Zero MOPD
- Oil, gas, Steam and corrosive fluid applicapable
- Applied Seal : FKM, EPDM and NBR with factory consult
- Body thread type : NPT, PT available with factory consult

Application

- Chiller (Semiconductor)
- Food and fluid Press process
- Oil and gase applied equipment
- Printing machine
- Testing equipment

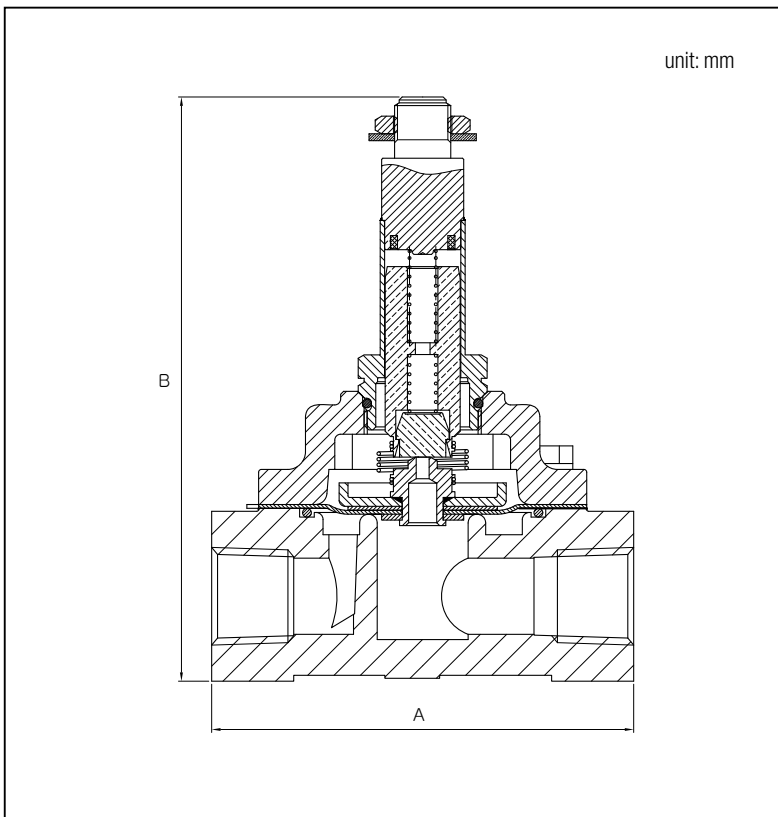
Normally Cloased

REFERENCE NO.				PORT SIZE (PF) G Thread	ORIFICE (mm)	FLOW (L/MIN) (L / min) Liquids KV	ADMISSIBLE DIFF. PRESSURE (BAR)			MAX. FLUID TEMP. (°C)		SEAL	Power (W)	
VESSEL NO. Lucifer	HOUSING	COIL					Min	Max		Water	Steam		DC	AC
		Gobal	Korea					DC	AC					
221S10F	I	-	1K	3/8"	15	40	0	-	10	85		FKM	14	10
	2995	481865	-					-	10	85			9	8
	4270	481000	-					-	10	85			8	8
	4270	486265	-					7	10	85			14	14
	H	-	1F					-	10	85			8	8
	H	-	1H					7	10	85			14	14
221S10E	2995	481865	-	15	40	0	-	10	85	-		EPDM	9	8
	4270	481000	-				-	10	85	-	8		8	
	4270	486265	-				4	4	-	140	14		14	
	H	-	1F				-	10	85		8		8	
	H	-	1H				4	4	-	140	14		14	
	I	-	1K											
221S15F	2995	481865	-	1/2"	15	50	0	-	10	85		FKM	14	10
	4270	481000	-					-	10	85			9	8
	4270	486265	-					-	10	85			8	8
	H	-	1F					7	10	85			14	14
	H	-	1H					-	10	85			8	8
	H	-	1H					7	10	85			14	14
221S15E	2995	481865	-	15	50	0	-	10	85			EPDM	9	8
	4270	481000	-				-	10	85		8		8	
	4270	486265	-				4	4	-	140	14		14	
	H	-	1F				-	10	85		8		8	
	H	-	1H				4	4	-	140	14		14	
	I	-	1K											

Normally Closed

REFERENCE NO.				PORT SIZE (PF) G Thread	ORIFICE (mm)	FLOW (L/MIN) (L/min) Liquids KV	ADMISSIBLE DIFF. PRESSURE (BAR)			MAX. FLUID TEMP. (°C)		SEAL	Power (W)	
VESSEL NO. Lucifer	HOUSING	COIL					Min	Max		Water	Steam		DC	AC
		Gobal	Korea					DC	AC					
221S20F	I	-	1K	3/4"	24	95	0	-	10	85	FKM	14	10	
	2995	481865	-					-	10	85		9	8	
	4270	481000	-					-	10	85		8	8	
	4270	486265	-					7	10	85		14	14	
	H	-	1F					-	10	85		8	8	
	H	-	1H					7	10	85		14	14	
221S20E	2995	481865	-	24	95	0	-	10	85	FKM	9	8		
	4270	481000	-				-	10	85		8	8		
	4270	486265	-				4	10	-		140	14	14	
	H	-	1F				-	10	85		8	8		
	H	-	1H				4	10	-		140	14	14	
221S25F	I	-	1K	1"	24	105	0	-	10	85	FKM	14	10	
	2995	481865	-					-	10	85		9	8	
	4270	481000	-					-	10	85		8	8	
	4270	486265	-					7	10	85		14	14	
	H	-	1F					-	10	85		8	8	
	H	-	1H					7	10	85		14	14	
221S25E	2995	481865	-	24	105	0	-	10	85	EPDM	9	8		
	4270	481000	-				-	10	85		8	8		
	4270	486265	-				4	4	85		140	14	14	
	H	-	1F				-	10	85		8	8		
	H	-	1H				4	4	85		140	14	14	

Dimension



Size	Model			
	221S10F	221S15F	221S20F	221S25F
A	72	72	72	83
B	100	100	117	117

COILS & HOUSING

32 mm Electrical Parts Availability

481865 Series - Standard Coil Mono-Frequency, F Class, IP65

Encapsulated in synthetic material, Connector for 2P+E DIN 43650 A Plug, IP65 insulation class to be considered with connector plug only. This coil conforms to the IEC/CENELEC safety standards and complies with European low-voltage directive 73/23/EC.

This coil conforms to the IEC/CENELEC safety standards and complies with European low-voltage directive 73/23/EC.

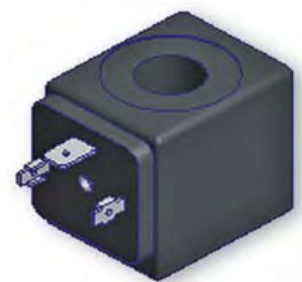
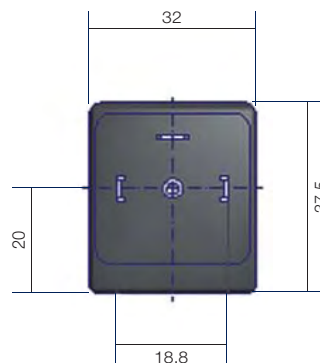
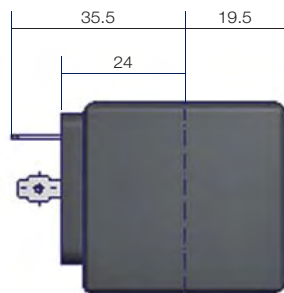
Voltage	Power Consumption	Reference	Approvals	Ambient Temperature	Class of insulation	Dimensional Drawing
24/50	8 W	481865A2	-	-40°C to +50°C	F Class 155°C	8
48/50	8 W	481865A4	-	-40°C to +50°C	F Class 155°C	8
110/50	8 W	481865A5	-	-40°C to +50°C	F Class 155°C	8
220-230/50	8 W	4818653D	-	-40°C to +50°C	F Class 155°C	8
380/50	8 W	481865A9	-	-40°C to +50°C	F Class 155°C	8
24/60	8 W	481865B2	-	-40°C to +50°C	F Class 155°C	8
230/60	8 W	481865J3	-	-40°C to +50°C	F Class 155°C	8
115/60	8 W	481865K8	-	-40°C to +50°C	F Class 155°C	8
12 DC	9 W	481865C1	-	-40°C to +50°C	F Class 155°C	8
24 DC	9 W	481865C2	-	-40°C to +50°C	F Class 155°C	8
48 DC	9 W	481865C4	-	-40°C to +50°C	F Class 155°C	8
110V DC	9 W	481865C5	-	-40°C to +50°C	F Class 155°C	8

Voltage

Tolerances: -10% to +10% of the nominal voltage (AC), -5% to +10% of the nominal voltage (DC)

Duty: Continuous duty coil (100%ED)

Weight: 130 g (without plug)



COILS & HOUSING

32 mm Electrical Parts Availability

483510 Series - Standard Bi-Frequency Coil, F Class, IP65

Encapsulated in synthetic material, Connector for 2P+E DIN 43650 A Plug, IP65 insulation class to be considered with connector plug only.

This coil conforms to the IEC/CENELEC safety standards and complies with European low-voltage directive 73/23/EC.

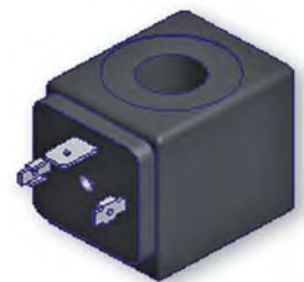
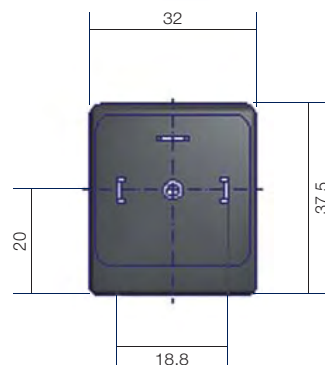
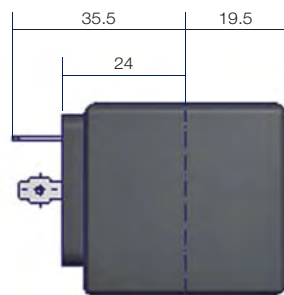
Voltage	Power Consumption	Reference	Approvals	Ambient Temperature	Class of insulation	Dimensional Drawing
12/50-60	9 W	4835101W	-	-40°C to +50°C	F Class 155°C	8
24/50-60	9 W	483510P0	-	-40°C to +50°C	F Class 155°C	8
48/50-60	9 W	483510S4	-	-40°C to +50°C	F Class 155°C	8
110-115/50 120/60	9 W	483510S5	-	-40°C to +50°C	F Class 155°C	8
220-240/50 240/60	9 W	483510S6	-	-40°C to +50°C	F Class 155°C	8

Voltage

Tolerances: -10% to +10% of the nominal voltage (AC), -5% to +10% of the nominal voltage (DC)

Duty Continuous duty coil (100%ED)

Weight: 130 g (without plug)



COILS & HOUSING

32 mm Electrical Parts Availability

492425 Series - High Temperature/High Power H Class, IP65

Encapsulated in synthetic material, Connector for 2P + E DIN 43650 A Plug, IP65 insulation class to be considered with connector plug only.

This coil conforms to the IEC/CENELEC safety standards and complies with European low-voltage directive 73/23/EC.

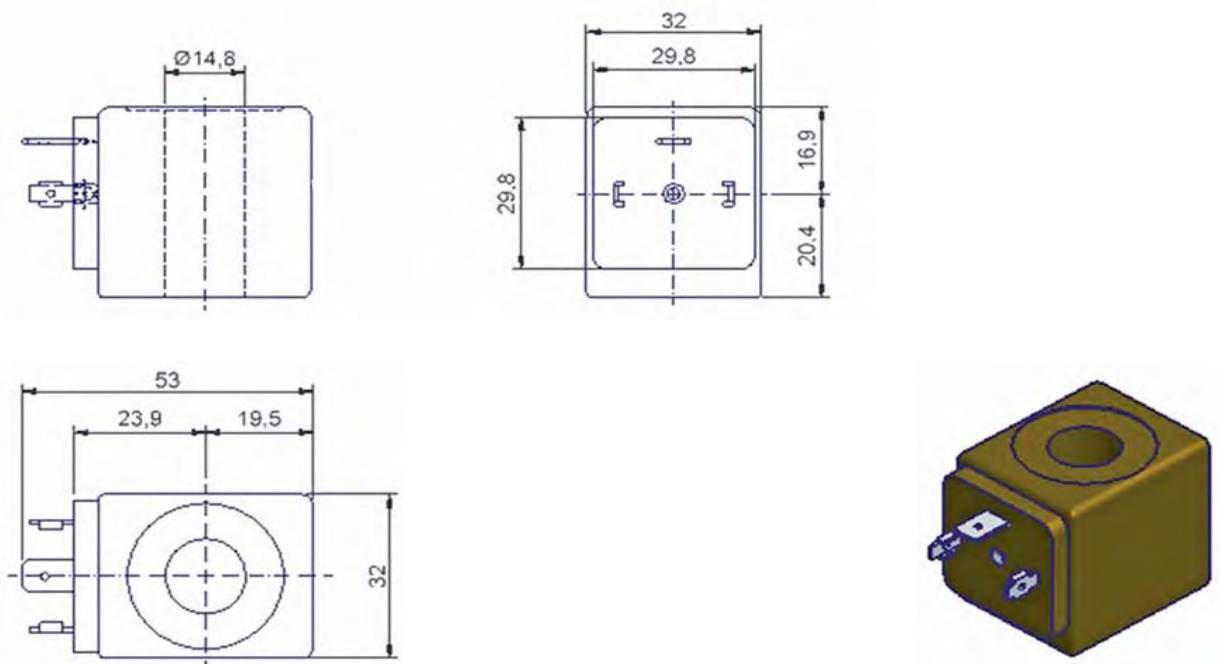
Voltage	Power Consumption	Reference	Approvals	Ambient Temperature	Class of insulation	Dimensional Drawing
24/50	14 W	492425A2	-	-40°C to +80°C	H Class 180°C	10
110/50	14 W	492425A5	-	-40°C to +80°C	H Class 180°C	10
230/50	14 W	492425F4	-	-40°C to +80°C	H Class 180°C	10
24 DC	14 W	492425C2	-	-40°C to +80°C	H Class 180°C	10

Voltage

Tolerances: -10% to +10% of the nominal voltage (AC), -5% to +10% of the nominal voltage (DC)

Duty: Continuous duty coil (100%ED)

Weight: 130 g (without plug)



COILS & HOUSING

496082 Series- IP67 Coil with two 500mm flying leads, F Class

Encapsulated in synthetic material. Protection rate IP67 as per DIN 40050. Connection: 2x500mm cables. This coil conforms to the IEC/CENELEC safety standards and complies with European low-voltage directive 73/23/EC.

Earthing: as no wire for earth connection is supplied, please note that at least one part of valve, pipes, or system in which the valve is mounted must have earth connection.

This coil is UL-approved as a recognized component for the insulation Class F, conforms to the IEC/CENELEC safety standards and complies with European low-voltage directive 73/23/EC.

Voltage	Power Consumption	Reference	Approvals	Ambient Temperature	Class of insulation	Dimensional Drawing
24/60	13 W	496082B2	UL	-40°C to +50°C	F Class 155°C	9
110/50 120/60	13 W	496082P3	UL	-40°C to +50°C	F Class 155°C	9
208-240/60	13 W	496082U3	UL	-40°C to +50°C	F Class 155°C	9
220/50 240/60	14 W	496082Q3	UL	-40°C to +50°C	F Class 155°C	9
24 DC	16 W	496082C2	UL	-40°C to +50°C	F Class 155°C	9
12 DC	16 W	496082C1	UL	-	-	9

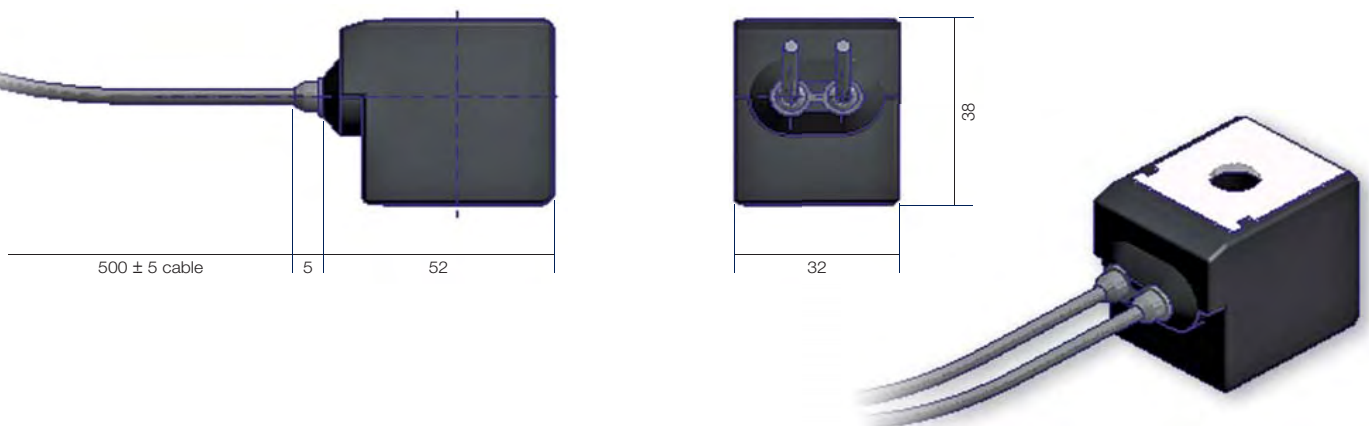
Specification: UL recognized coil - UL file E125678

Voltage

Tolerances: -10% to +10% of the nominal voltage (AC), -5% to +10% of the nominal voltage (DC)

Duty: Continuous duty coil (100%ED)

Weight: 180 g



All dimensions are in mm

Dimensional Drawing N° 9

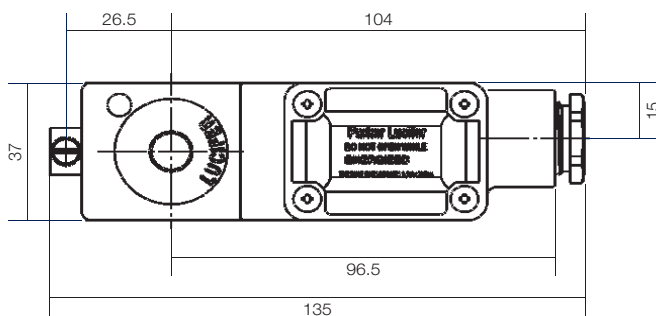
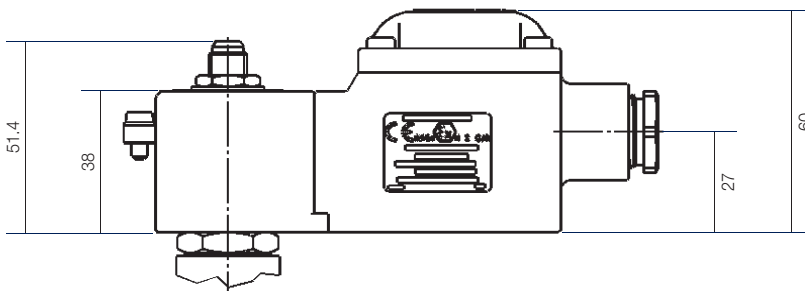
COILS & HOUSING

37mm Electrical Parts Availability

495905 Series - Explosion-Proof II 2 G-EEx dm IIC T4

Coil/housing assembly encapsulated in synthetic material (H class). Protection degree: IP67. Cable connection through cable gland M20x1.5 (DIN 46320).

Voltage	Power Consumption	Reference	Approvals	Type of Protection Gas	Dust	Ambient Temperature	Class of insulation	Dim. Drawing
24 DC	8 W	495905C2	LCIE02 ATEX 6451 X	II 2 G -Eex dm IIC T4	II 2D - +130°C	-40 to +65 °C	-	13
48 DC	8 W	495905C4	LCIE02 ATEX 6451 X	II 2 G -Eex dm IIC T4	II 2D - +130°C	-40 to +65 °C	-	13
110 DC	8 W	495905C5	LCIE02 ATEX 6451 X	II 2 G -Eex dm IIC T4	II 2D - +130°C	-40 to +65 °C	-	13
24/50	8 W	495905A2	LCIE02 ATEX 6451 X	II 2 G -Eex dm IIC T4	II 2D - +130°C	-40 to +65 °C	-	13
48/50	8 W	495905A4	LCIE02 ATEX 6451 X	II 2 G -Eex dm IIC T4	II 2D - +130°C	-40 to +65 °C	-	13
240/60	8 W	495905B8	LCIE02 ATEX 6451 X	II 2 G -Eex dm IIC T4	II 2D - +130°C	-40 to +65 °C	-	13
115/50	8 W	495905E5	LCIE02 ATEX 6451 X	II 2 G -Eex dm IIC T4	II 2D - +130°C	-40 to +65 °C	-	13
230/50	8 W	495905F4	LCIE02 ATEX 6451 X	II 2 G -Eex dm IIC T4	II 2D - +130°C	-40 to +65 °C	-	13
115/60	8 W	495905K8	LCIE02 ATEX 6451 X	II 2 G -Eex dm IIC T4	II 2D - +130°C	-40 to +65 °C	-	13



All dimensions are in mm

Dimensional Drawing N° 13

COILS & HOUSING

40mm Electrical Parts Availability

481000 Series - Standard F Class Coil with screw terminals

The coil winding is completely encapsulated in synthetic material. Electrical connection with screw terminals for wire up to 1.5 mm.

This coil conforms to the IEC/CENELEC safety standards and complies with European low-voltage directive 73/23/EC. This coil must be used with a metallic housing.

Please consult page 40-42 to identify non-standard metallic housings availability.

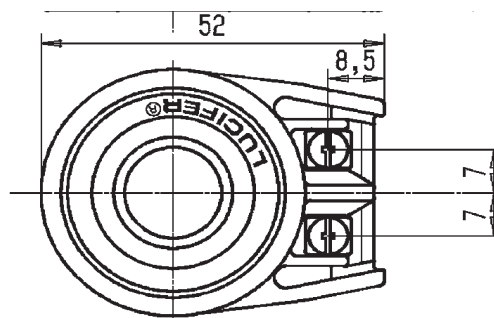
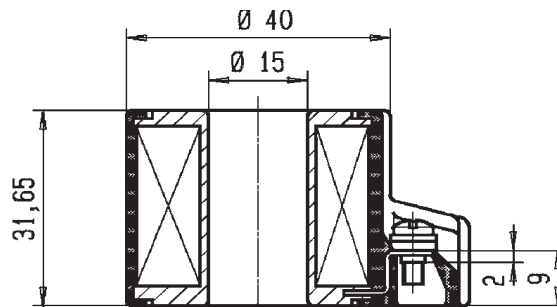
Voltage	Power Consumption	Reference	Approvals	Ambient Temperature	Class of insulation	Dimensional Drawing
110-115/50	8 W	4810000A	-	-40°C to +50°C	F Class 155°C	11
220/50, 230/50	8 W	4810003D	-	-40°C to +50°C	F Class 155°C	11
240/60; 220/60	8 W	4810004K	-	-40°C to +50°C	F Class 155°C	11
380/50; 440/60	8 W	4810005P	-	-40°C to +50°C	F Class 155°C	11
110-115/60	8 W	4810006J	-	-40°C to +50°C	F Class 155°C	11
24/50	8 W	481000A2	-	-40°C to +50°C	F Class 155°C	11
48/50	8 W	481000A4	-	-40°C to +50°C	F Class 155°C	11
24/60	8 W	481000B2	-	-40°C to +50°C	F Class 155°C	11
12 DC	8 W	481000C1	-	-40°C to +50°C	F Class 155°C	11
24 DC	8 W	481000C2	-	-40°C to +50°C	F Class 155°C	11
48 DC	8 W	481000C4	-	-40°C to +50°C	F Class 155°C	11
110 DC	8 W	481000C5	-	-40°C to +50°C	F Class 155°C	11
42/50; 48/60	8 W	481000S7	-	-40°C to +50°C	F Class 155°C	11

Voltage

Tolerances: -10% to +10% of the nominal voltage

Duty: Continuous duty coil (100%ED)

Weight: 130 g (without plug)



COILS & HOUSING

40 mm Electrical Parts Availability

481044 Series - High Power Coil with screw terminals

The coil winding is completely encapsulated in synthetic material. Electrical connection with screw terminals for wire up to 1.5 mm.

This coil conforms to the IEC/CENELEC safety standards and complies with European low-voltage directive 73/23/EC.

This coil must be used with a metallic housing.

Please consult page 40-42 to identify non-standard metallic housings availability.

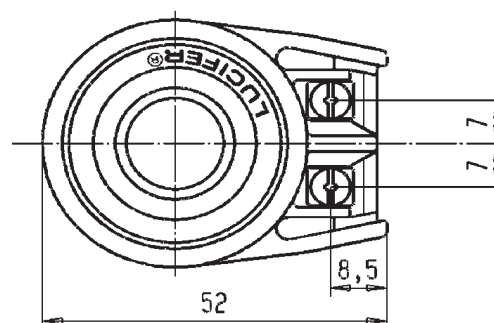
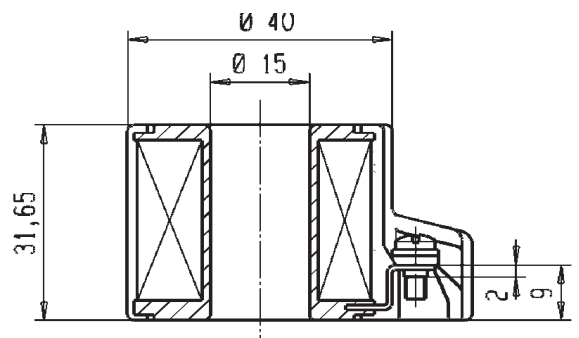
Voltage	Power Consumption	Reference	Approvals	Ambient Temperature	Class of insulation	Dimensional Drawing
115/60; 100/50	14 W	4810440P	-	-40°C to +50°C	H Class 155°C	12
24/50	14 W	481044A2	-	-40°C to +50°C	H Class 155°C	12
110/50	14 W	481044A5	-	-40°C to +50°C	H Class 155°C	12
220/50	14 W	481044A7	-	-40°C to +50°C	H Class 155°C	12
230/50	14 W	481044F4	-	-40°C to +50°C	H Class 155°C	12
230/60; 200/50	14 W	481044S2	-	-40°C to +50°C	H Class 155°C	12

Voltage

Tolerances: -10% to +10% of the nominal voltage)

Duty: Continuous duty coil (100%ED)

Weight: 130 g (without plug)



All dimensions are in mm

Dimensional Drawing N° 12

COILS & HOUSING

For 481000 and 481044 Series Electrical Parts with screw terminals

4270 Series Standard Housing

This metal housing offers the ideal protection against shocks and corrosion - rotatable 360°. This housing can be used with 481000 and 481044 series electrical parts.

Material: Epoxy-coated steel

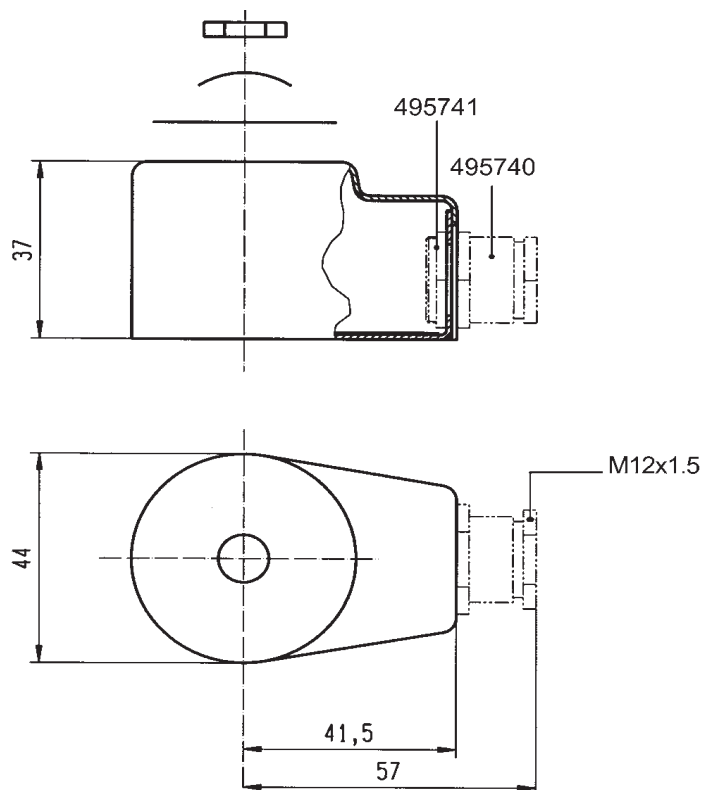
Degree of Protection: IP according to IEC/EN60529
 IP10 with armoured conduit
 IP44 with cable gland

Electrical

Connection: Can be made with armoured conduit or cable gland M12x1.5, Part N° 495740 and N°495741 to be ordered separately.
 Grounding connection by screw M3 on the inside of the housing base plate.

Dimensions: See dimensional "Drawing N°14"

Weight: 120 g



All dimensions are in mm

Dimensional Drawing N° 14

COILS & HOUSING

4538 Series Waterproof and Dustproof Housing

This enclosure is dust and waterproof. It corresponds to the degree of "international protection" IP67 according to IEC/EN60529. Corrosion resistant, the metal housing offers good protection for the coil against shocks. This housing must be equipped with **481000 Series** electrical parts.

Material: Galvanized passivated steel

Degree of Protection: IP67 according to IEC/EN 60529

Electrical Connection: Cable connection by cable gland according to DIN46320. Cable with outer diameter 6.5-13.5mm (M20x1.5) can be simply sealed using a rubber gland resilient sealing rings. The enclosure is internally and externally fitted with grounding and earthing screw terminals.

Dimensions: See dimensional "Drawing N°15"

Weight: 180 g

